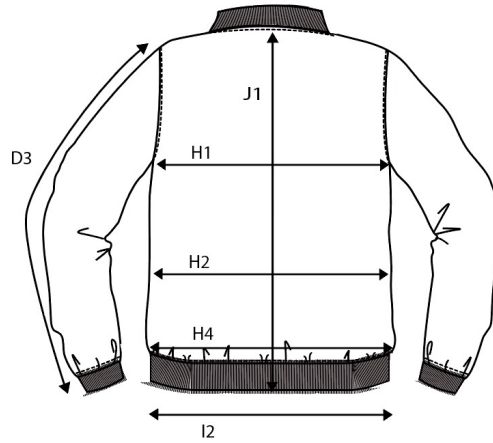
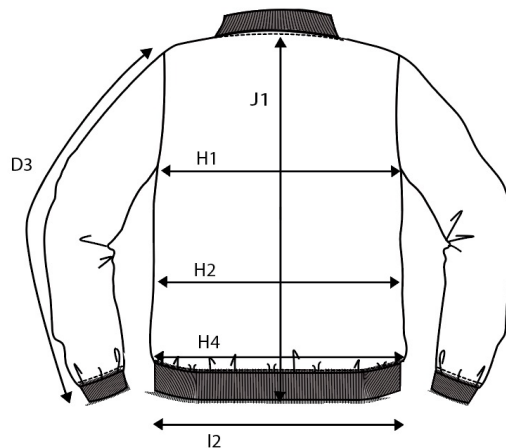


SIZE AND FIT: BLEECKER



BLEECKER Mens

Base size: M / Measurement (in cm)	Diagram	S	M	L	XL	XXL	3XL	4XL
SLEEVE LENGTH - from shoulderseam	D3	66,25	68	69,75	71,5	73,25	75	76,75
1/2 CHEST WIDTH at armhole	H1	54	57	60	63	66	69	72
1/2 WAIST WIDTH	H2	53,5	56,5	59,5	62,5	65,5	68,5	71,5
1/2 BOTTOM WIDTH	H4	53	56	59	62	65	68	71
1/2 BOTTOM WIDTH OF RIB	I2	47	50	53	56	59	62	65
FULL LENGTH AT CENTRE BACK	J1	67	69	71	73	75	77	79



BLEECKER Ladies

Base size: M / Measurement (in cm)	Diagram	XS	S	M	L	XL	XXL	3XL
CENTRE BACK TO END OF SLEEVE	D2	60,5	61,5	62,5	63,5	64,5	65,5	66,5
1/2 CHEST WIDTH at armhole	H1	48	51	54	57	60	63	67
1/2 WAIST	H2	47	50	53	56	59	62	66
1/2 BOTTOM WIDTH	H4	46,5	49,5	52,5	55,5	58,5	61,5	65,5
1/2 BOTTOM WIDTH OF RIB	I2	40	43	46	49	52	55	58
FULL LENGTH AT CENTRE BACK	J1	56	58	60	62	64	66	68



SIZE GUIDE

WOMEN

CM

	EN / UK / US XS / 8 / 4	EN / UK / US S / 10 / 6	EN / UK / US M / 12 / 8	EN / UK / US L / 14 / 10	EN / UK / US XL / 16 / 12	EN / UK / US 2XL / 18 / 14	EN / UK / US 3XL / 20 / 16
CHEST	75-80	81-86	87-92	93-98	99-104	105-111	112-118
WAIST	59-64	65-70	71-76	77-82	83-88	89-95	96-103
HIP	83-88	89-94	96-101	102-107	108-113	114-120	121-127

MEN

CM

	EN / UK + US S	EN / UK + US M	EN / UK + US L	EN / UK + US XL	EN / UK + US 2XL	EN / UK + US 3XL	EN / UK + US 4XL
NECK	37/38	39/40	41/42	43/44	45/46	47/48	49/50
CHEST	90-95	96-101	102-107	108-113	114-119	120-125	126-131
WAIST	76-81	82-87	88-93	94-99	100-105	106-111	112-117
HIP	92-97	98-103	104-109	110-115	116-121	122-127	128-133

HOW TO MEASURE

