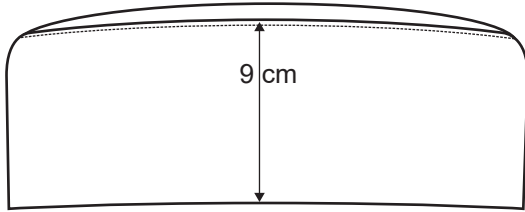
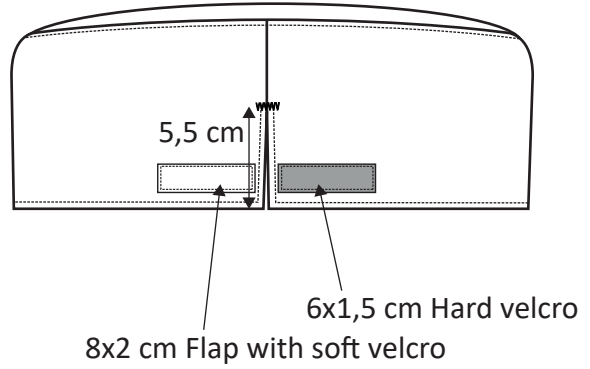


Detail sketch with how to measure

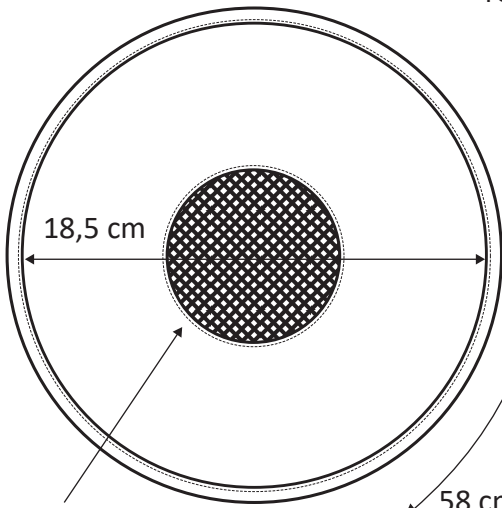
Front:



Back:



Top of hat



Mesh fabric centered on top of hat 6,5 cm
Colour tone in tone with main fabric

Top of hat

Side of hat

Top of hat from inside

