

Honeywell

AIRVISOR 2



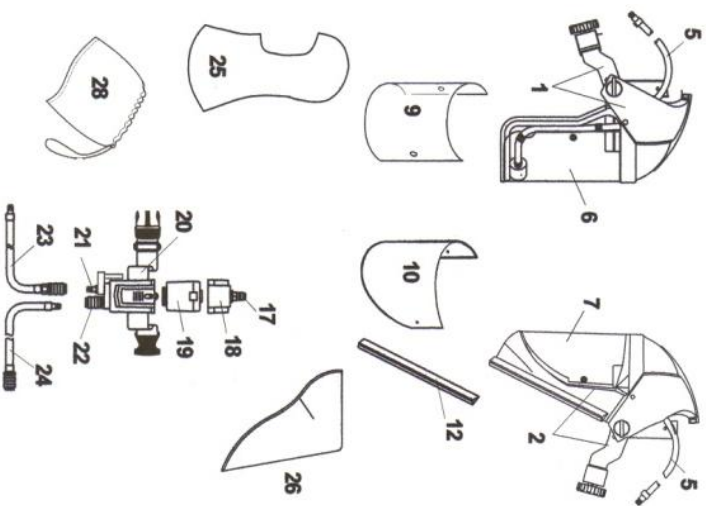
INSTRUCTIONS	EN	LIBRETTO D'ISTRUZIONI	IT
تعليمات	AR	NAUDOJIMO INSTRUKCIJA	LT
Ръководство за употреба	BG	LIETOŠANAS PAMĀCĪBA	LV
UŽIVATELSKÁ PŘÍRUČKA	CZ	GEBRUIKSAANWIJZING	NL
BEDIENUNGSANLEITUNG	DE	BRUKSANVISNINGEN	NO
BRUGSANVISNING	DK	INSTRUKCJA	PL
ΟΔΗΓΙΕΣ ΧΡΗΣΕΩΣ	EL	INSTRUÇÕES DE UTILIZAÇÃO	PT
INSTRUCCIONES DE USO	ES	INSTRUCȚIUNI DE UTILIZARE	RO
KASUTUSJUHEND	ET	ИНСТРУКЦИЯ	RU
KÄYTTÖOHJE	FI	POUŽÍVATELSKÁ PŘÍRUČKA	SK
NOTICE D'UTILISATION	FR	NAVODILA ZA UPORABO	SL
הוראות שימוש	HE	УПУТСТВО ЗА УПОТРЕБУ	SR
UPUTE ZA UPORABU	HR	BRUKSANVISNING	SV
HASZNÁLATI UTASÍTÁS	HU	TALÍMATLAR	TR
LEIÐBEININGAR	IS		

Airvisor:

DAVK-0001E
DAVK-0003E
DAVK-0004E

Airvisor MV:

DMAK-0021E
DMAK-0023E
DMAK-0024E

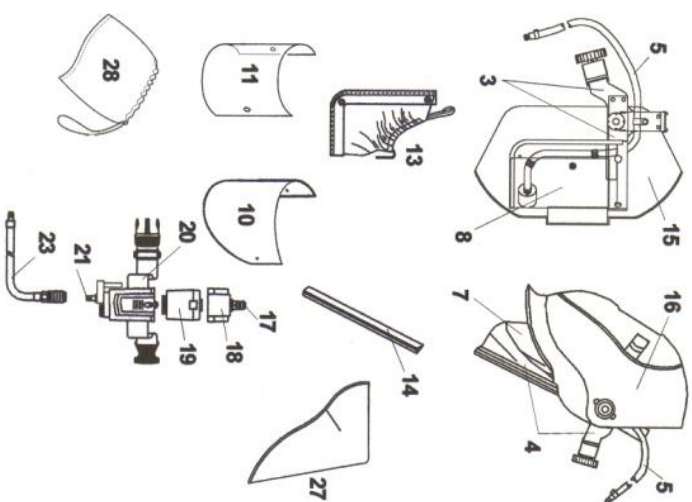


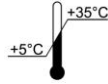
FV-Series:

DAWK-4001E

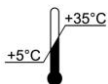
W-Series:

DAWK-4011E





EN	Read user instructions	Shelf life limit	Maxi and mini temperature storage	Maxi humidity storage
AR	اقرأ تعليمات المستخدم	حد فترة الصلاحية	الحدان الأدنى والأقصى لدرجة حرارة التخزين	الحد الأقصى لرطوبة التخزين
BG	Вижте ръководството за употреба	Срок на годност	Максимална и минимална температура на съхранение	Максимална влажност на съхранение
CZ	Viz návod k použití	Datum trvanlivosti	Maximální a minimální teplota pro skladování	Maximální vlhkost vzduchu pro skladování
DE	Siehe Gebrauchsanweisung	Verfallsdatum	Maximal und minimal zulässige Lagertemperatur	Maximal zulässige Feuchtigkeit für die Lagerung
DK	Se brugsvejledningen	Sidste holdbarhedsdato	Maksimums- og minimumstemperatur ved opbevaring	Maksimal fugtighed ved opbevaring
EL	Βλέπε οδηγίες χρήσεως	Ημερομηνία λήξης	Μέγιστη και ελάχιστη θερμοκρασία αποθήκευσης	Μέγιστη υγρασία αποθήκευσης
ES	Ver manual de utilización	Fecha de caducidad	Temperatura máxima y mínima de almacenamiento	Humedad máxima para el almacenamiento
ET	Vt kasutusjuhendit	Säilivusaja lõpp	Ladustamise maksimum ja miinimumtemperatuur	Maksimaalne õhuniiskus ladustamisel
FI	Katso käyttöohje	Viimeinen käyttöpäivämäärä	Korkein ja alhaisin säilytyslämpötila	Säilytystilojen suurin sallittu kosteus
FR	Voir notice d'utilisation	Date de péremption	Température maximale et minimale pour le stockage	Humidité maximale pour le stockage
HE	קרא את הוראות השימוש	אורך חיי מדף	טמפרטורה מרבית ומזערית לאחסון	שיעור לחות מרבי לאחסון
HR	Pogledajte upute za uporabu	Datum isteka	Maksimalna i minimalna temperatura skladištenja	Maksimalna vlažnost pri skladištenju
HU	Lásd a használati utasítást	Lejárati idő	Maximális és minimális hőmérséklet a tárolás során	Maximális páratartalom a tárolás során
IS	Lestu leiðbeiningar notenda	Endingartími	Hámarks og lámarks geymsluhit	Hámarks geymsluraki
IT	Vedere la specifica per l'uso	Data di scadenza	Temperatura massima e minima per l'immagazzinaggio	Umidità massima per l'immagazzinaggio



LT	Žr. naudojimo instrukciją	Galiojimo data	Aukščiausia ir žemiausia saugojimo temperatūra	Didžiausia saugojimo drėgmė
LV	Skatiet lietošanas pamācību	Derīguma termiņš	Uzglabāšanas maksimālā un minimālā temperatūra	Uzglabāšanas maksimālais mitrums
NL	Zie de gebruiksaanwijzing	Uiterste gebruiksdatum	Maximum- en minimumtemperatuur voor de opslag	Maximale luchtvochtigheid bij opslag
NO	Se bruksanvisning	Utløpsdato	Maksimum og minimum oppbevaringstemperatur	Maksimum oppbevaringsfuktighet
PL	Patrz instrukcja użycia	Data ważności	Minimalna i maksymalna temperatura przechowywania	Maksymalna wilgotność przy przechowywaniu
PT	Ver manual de utilização	Data limite de validade	Temperaturas máxima e mínima para a armazenagem	Humidade máxima para a armazenagem
RO	Consultați instrucțiunile de utilizare	Termen de valabilitate	Temperaturi maxime și minime de depozitare	Umiditate maximă pentru depozitare
RU	См.инструкцию по использованию	Срок устаревания данных	Предельные температуры хранения	Максимальное значение относительной влажности воздуха при хранении
SK	Pozri návod na použitie	Dátum spotreby	Maximálna a minimálna skladovacia teplota	Maximálna vlhkosť pri skladovaní
SL	Preglejte navodila za uporabo	Uporabno do	Najvišja in najnižja temperatura skladiščenja	Maksimalna vlažnost pri skladiščenju
SR	Погледајте упутство за употребу	Датум истека	Максимална и минимална температура складиштења	Максимална влажност код складиштења
SV	Läs användningsinstruktionerna	Begränsning för hållbarhetstid	Maximal och minimal lagringstemperatur	Maximal luftfuktighet vid lagring
TR	Kullanım kılavuzuna bakınız	Son kullanma tarihi	Depolama için maksimum ve minimum sıcaklık	Depolama için azami nem

**AIR SUPPLIED RESPIRATOR USER INSTRUCTIONS
PLEASE RETAIN FOR FUTURE REFERENCE**



Do not use equipment before reading these instructions and obtaining product training.

INSTRUCTIONS FOR USE AND MAINTENANCE



- **Compressed air supplied to the Airvisor 2 family of products must be breathable quality complying with EN 12021. Honeywell recommends the use of Clearflow Filter Systems to assist compliance. Air quality should be checked periodically using suitable test equipment. Comply with the following instructions before entering work area.**
- **Airvisor 2 DAC (double action couplings) models propose specific double action connectors for compressed air supply, giving specific connection format and extra protection against unexpected disconnections.**

CHECKS BEFORE USE

- Check operation of warning whistle to ensure that the correct volume of air is supplied to the respirator (see instructions below).
- Inspect all equipment for damage, paying particular attention to the hose, visor feed tube and face skirt.
- Do not use the respirator if the face skirt or diffuser on the air supply tube are damaged as this will affect protection.
- Ensure visor covers offer good visibility.

DONNING OF EQUIPMENT

- Secure waistbelt assembly around waist and adjust to fit comfortably. If required, don Fabric Hood (25) followed by visor assembly.
- Keep visor (6, 7, 8) raised and adjust crown strap and headband to fit firmly.
- Plug the end of the visor air supply tube (5) into miniature High Flow quick release socket (17).
- Select a suitable length air hose (23) up to a maximum of 10 metres and connect High Flow QR socket on hose to air inlet (21) on waistbelt assembly.
- Connect other end to filtered air supply.



When using Airvisor 2 DAC models, use the green air supply hose. Use blue hoses for standard Airvisor 2 models.

Couple air powered tool (24) if required, to air outlet (22) on the waistbelt assembly.

Turn on air supply and adjust pressure to give between 4.5 bars (61 psi) and 7 bars (102 psi) at waistbelt assembly inlet (see Supply Pressure Chart overleaf). Ensure there are no air leaks. If the warning whistle sounds increase the input pressure until it stops. In case the whistle does not stop when increasing pressure, close off the air supply and start again after having adjusted the pressure.

Please note that Airvisor 2 and Airvisor 2 MV kits used in conjunction with an auxiliary air powered tool, or spraygun, require higher input pressures (so an extra check must be made). If working in this way the tool must be operated before wearing the respirator - if the warning whistle sounds under these conditions increase the input pressure until it stops. This ensures that there is sufficient air for both the respirator visor and the auxiliary tool or spraygun.

Lower visor, making adjustments as necessary to crown strap and headband to ensure optimum fit of face skirt around the face. Check for any obvious visible gaps between the skin and the face skirt. If gaps are detected readjust the device until they are closed. You are now ready to enter the contaminated area. Please note: that if the warning whistle sounds during normal working conditions this indicates that there is not enough air flowing to the respirator visor – leave the contaminated area immediately, then remove the visor - increase the input pressure to a suitable level.

Replacement of Air Supply Tube and Diffuser Assembly (All models):

- If the air supply tube (5) is worn or damaged it must be replaced to avoid leaks.
- Detach the tube from its mounting points (fitted in to notch at rear of headpiece and mounted on two clear retaining pegs) and withdraw the diffuser from its centrally mounted, curved holder after removing the cap.
- Install the new assembly by carefully feeding the foam diffuser in to the curved holder and clipping the cap back in place.
- Reattach the air supply tube to the visor/frame using the two retaining pegs, making sure to fit the tube in to the notch in the headpiece.

Replacement of Disposable Visor Covers (All models):

- Locate visor cover (9/10/11) over metal studs on either side of the visor.

Replacement of Visor (DAVK-000*E & DAWK-4001E models):

- Unclip visor air supply tube (5) from browguard.
- Holding browguard, press the top of the visor (6) firmly from the outside inwards using thumb and index finger.
- Unhook visor key hole slots from blue browguard pegs located on either side.
- If visor air supply tube is to be re-used, unclip tube from inside visor by carefully pulling out the two clear retaining pegs, otherwise discard both visor and tube.
- To reassemble, feed air tube QR connector upwards through hole in visor foam.
- Fit visor air supply tube to visor with the two clear retaining pegs and the centrally mounted, curved holder.
- Relocate blue browguard pegs into key hole slots at top of visor and pressing firmly, rotate towards browguard and clip in position.

Replacement of Face Skirt Cassette (DMAK-002*E and DAWK-4011E models):

- Cradle inverted Airvisor on the arm and hold moulded frame.
- With free hand, hold the bottom of the face skirt cassette and pull away from visor with one quick action.
- Align replacement cassette (12, 14) under visor.
- Beginning at one end and working around the frame, snap the cassette onto the visor frame. For the fabric parts, ensure that the free ends pass inside the headband, then fold down the outside of the headband, attaching back upon themselves using press studs - if in doubt refer to the existing configuration before disassembly.
- The cassette should be replaced whenever there are any signs of damage or build up of dust or dirt.

Replacement of Visor (DMAK-002*E and DAWK-4011E model)

- Check the foam sealing strips for damage, replacing if necessary.
- Remove the visor by pushing on it from the inside.
- Locate visor side tab in slot of visor surround ensuring that top edge is located in browguard groove.
- Feed visor (7) round curvature of visor surround and finally locate lower tabs into chin guard slots.

Replacement / Fitting of Welding Filter (Welding kits only)

DAWK-4001E:

- Unscrew lens clamp screws on inside of shell.
- Remove cover plates and filter
- Replace filter as necessary
- Replace clamp and screws.

DAWK-4011E:

In the case of the W-Series welding kit, access to the window retaining system is from the outside of the welding shell, after the removal of the light blue outer cover. The shaded window glass assemblies are held in place with a flexible clip system.

Replacement of Carbon Cartridge:



Carbon cartridge (19) should be replaced if odour is detected, or after 1,000 hours of use (maximum).

- Detach waistbelt from air supply, remove all connecting hoses and remove the three fixing screws.
- Tilt forward and remove the regulator assembly and invert waistbelt to remove carbon cartridge.
- Fit 'O' seals to top and bottom of replacement cartridge.
- Slot into housing and relocate the black lug on the regulator assembly into the slot on the lower half of the waistbelt housing.
- Re-fit screws and reconnect to air supply.
- Check for air leaks.



When fitting replacements, use only Honeywell parts to maintain optimum protection.


CLEANING AND DISINFECTION AFTER EACH USE

- Remove dust and dirt from the apparatus using a damp cloth moistened with a mild disinfectant or liquid soap solution.
- Do not immerse the apparatus.
- Do not use a solvent or an undiluted detergent which might damage the apparatus.
- Do not use an abrasive cleaning product which might damage the surface of the apparatus or scratch the visor.
- Allow to dry fully in a well ventilated area away from direct sunlight and sources of high temperature or radiant heat.
- Place apparatus in storage bag (28) after cleaning and disinfection.



- **Compressed air supplied to the Airvisor 2 family of products must be of breathable quality in accordance with EN 12021.**
- **Ensure that the moisture content of the breathing air is controlled within the limits set out in EN 12021, to avoid the air freezing the apparatus at low temperatures.**
- **Special care should be taken to ensure that the apparatus is not connected to alternative air line systems in the workplace that deliver gases other than breathable quality air.**
- **The apparatus should not be connected to a supply of oxygen or oxygen enriched air.**
- **Where more than one user is connected to the supplied air system ensure that the system has sufficient capacity to supply every user.**
- **The use of Honeywell BlueLine air hose (standard Airvisor 2), or green hose (Airvisor 2 DAC) and High Flow couplings is an integral part of approval, do not use any other type of hose, nor adapt the hoses that are specified for use with your apparatus.**
- **The maximum length of supply hose for Class A devices is 10 metres, to comprise one continuous hose. Shorter hoses should not be joined together to achieve the maximum length.**
- **The maximum (nominal) working pressure for Honeywell compressed air supply hoses is 10 bars.**
- **Not suitable for use in areas having an ambient temperature over 35°C, take care not leave equipment in spray booth when converted to drying oven.**
- **Not to be used in circumstances where the user would suffer irreversible harm if unprotected, nor in oxygen deficient environments.**
- **At very high work rates the pressure inside the headpiece may become negative at peak inhalation flow.**
- **When in contaminated area, ensure that the visor is locked in lowered position and retreat immediately from hazard area if a malfunction is suspected or if the warning whistle sounds.**
- **Molten metal protection is given only when disposable visor covers are used.**
- **Where appropriate, the marking F1 indicates that the apparatus and the compressed air supply tube can be used in situations where flammability may be a risk.**
- **The apparatus might not provide adequate protection in certain highly toxic atmospheres. It is the responsibility of the user to ensure that the apparatus is suitable for the work to be undertaken, and suitable for the individual user. Please refer to local legislation for guidance.**

Minimum Supply Pressures at the inlet of compressed air supply hose:			
		Supply Pressure in bars (psi)	
Supply Hose bore (mm)	Hose length (m)	DAVK-0001E DMAK-0021E	DAVK-0003E, 0004E DMAK-0023E, 0024E DAWK-4001E, 4011E
8	3.5	5.3 bars (77 psi)	4.5 bars (61 psi)
	7.5		4.6 bars (63 psi)
	10	5.4 bars (79 psi)	4.7 bars (64 psi)
		5.5 bars (80 psi)	

	<ul style="list-style-type: none"> • Maximum Supply Hose Length 10 metres. • For DAVK-0001E and DMAK-0021E, if the warning whistle sounds at any time during the operation of the auxiliary tool or spraygun, increase the input pressure until it stops. This ensures that there is sufficient air reaching the headpiece and that your safety is maintained.
---	--

TECHNICAL INFORMATION

Certification / Approval	CE Approved (CE 0194)
Standard / Compliance	EN14594:2005 (Light Duty Class A)
Nominal Protection Factors	Class 3 = 200 DAWK models Class 4 = 2,000 DAVK & DMAK Models
Visor: Chemical resistant Impact resistant	EN 166.2.F EN 166.2.B.9
Manufacturer's Minimum Design Flow Rate Maximum Flow Rate	260 l/min 290 l/min
Operating Pressure	4.5 bars (61 psi) to 7.0 bars (102 psi)
Maximum Operating Temperature	35°C
Carbon Cartridge	Replace after 1,000 hours, or If odour is detected inside headpiece

PROTECTION FACTORS

An assigned Protection Factor (APF) of 40 means that the respirator can be used in areas of contamination up to 40 X the Workplace Exposure Limit. In other geographical areas, please refer to national or regional regulations or guidelines which modify the value of the protection factor that you are allowed to use when selecting respiratory protection.

AIRVISOR RESPIRATOR SYSTEMS

Article No.	Part No.	Description
1013932	DAVK-0001E	Airvisor 2 Paint Spraying Kit
1013934	DAVK-0003E	Airvisor 2 Chemical Kit
1013935	DAVK-0004E	Airvisor 2 Industrial Kit
1013938	DMAK-0021E	Airvisor 2 MV Paint Spraying Kit
1013939	DMAK-0023E	Airvisor 2 MV Chemical Kit
1013980	DMAK-0024E	Airvisor 2 MV Industrial Kit
1013983	DAWK-4001E	Airvisor 2 FV-Series Welding Kit
1013987	DAWK-4011E	Airvisor 2 W-Series Welding Kit
1765058	DAVK-0001E-DAC	Airvisor 2 Paint Spraying Kit double action connector
1765059	DAVK-0003E-DAC	Airvisor 2 Chemical Kit double action connector
1765060	DAVK-0004E-DAC	Airvisor 2 Industrial Kit double action connector
1765061	DMAK-0021E-DAC	Airvisor 2 MV Paint Spraying Kit double action connector
1765062	DMAK-0023E-DAC	Airvisor 2 MV Chemical Kit double action connector
1765063	DMAK-0024E-DAC	Airvisor 2 MV Industrial Kit double action connector
1765064	DAWK-4001E-DAC	Airvisor 2 FV-Series Welding Kit double action connector
1765065	DAWK-4011E-DAC	Airvisor 2 W-Series Welding Kit double action connector

Spare headpieces (complete):

1013936	DAVK-0051E	For use with DAVK-0001/03E
1013937	DAVK-0052E	For use with DAVK-0004E
1013981	DMAK-0071E	For use with DMAK-0021/23E
1013982	DMAK-0072E	For use with DMAK-0024E
1013986	DAWS-4101E	For use with DAWK-4001E
1013988	DAWS-4201E	For use with DAWK-4011E

Spare waistbelts (complete):

1013989	DAVV-1001E	For use with DAVK-0001E and DMAK-0021E
1013990	DAVV-1003E	For use with DAVK-0003/04E and DMAK-0023/24E and DAWK-4001/11E
1765066	DAVV-1001E-DAC	For use with DAVK-0001E-DAC and DMAK-0021E-DAC
1765067	DAVV-1003E-DAC	For use with DAVK-0003/04E-DAC and DMAK-0023/24E-DAC and DAWK-4001/11E-DAC

Replacement parts and accessories (as shown in product drawings):

No.	Article No.	Description
1	1028821	Browguard and headband for Airvisor 2 DAVK models
2	1028822	Browguard and headband for Airvisor 2 MV DMAK models
3	1028823	Headband assembly for Airvisor 2 FV-Series Welding Kit
4	1028824	Browguard and headband for Airvisor 2 W-Series Welding Kit
5	1028825	Airvisor 2 Air supply tube and diffuser assembly for all models
6	1028826	Acetate visor (chemical resistant) for use with DAVK-0001/03E
6	1028827	Polycarbonate visor (impact resistant) for use with DAVK-0004E
7	1001775	Acetate visor (chemical resistant) for use with DMAK-0021/23E (pack of 5)
7	1001774	Polycarbonate visor (impact resistant) for use with DMAK-0024E (pack of 5)
	1028870	Visor sealing strips for use with items 7 (pack of 10)
8	1028828	Polycarbonate inner visor (impact resistant) for use with DAWK-4001E
9	1001732	Disposable visor covers for use with all DAVK models (pack of 10)
9	1001731	Disposable visor covers for use with all DAVK models (pack of 50)
10	1001778	Disposable visor covers for use with all DMAK models (pack of 10)
10	1001779	Disposable visor covers for use with all DMAK models (pack of 50)
11	1001749	Disposable visor covers for use with DAWK-4001E (pack of 10)
12	1013994	Fabric face seal cassette for DMAK models (pack of 5)
13	1001748	Fabric face seal assembly for DAWK-4001E
14	1013994	Fabric face seal cassette for DAWK-4011E (pack of 5)
15	1001750	Welding shell for DAWK-4001E
16	1005103	Welding shell for DAWK-4011E
17	1001725	Miniature High Flow quick release socket
18	1028829	Airvisor 2 Regulator assembly for all non-DAC models
18	1765068	Airvisor 2 Regulator assembly for all DAC models
19	1001672	Carbon cartridge for all models
20	1001674	Waistbelt housing and fabric belt
21	1028830	Airvisor 2 (non-DAC) Special High Flow quick release plug
21	1765069	Airvisor 2 (DAC) Special High Flow quick release double-handed plug
22	1028831	Airvisor 2 High Flow quick release socket
23	1001726	BlueLine Air Supply hose 3.5m (for non-DAC Airvisor 2)
23	1001727	BlueLine Air Supply hose 7.5m (for non-DAC Airvisor 2)
23	1004716	BlueLine Air Supply hose 10m (for non-DAC Airvisor 2)
23	1765070	Green Air Supply hose 3.5m (for DAC Airvisor 2)
23	1765071	Green Air Supply hose 7.5m (for DAC Airvisor 2)
23	1765072	Green Air Supply hose 10m (for DAC Airvisor 2)
24	1001683	Spraygun air hose (1.2m) for use with DAVK-0001E and DMAK-0021E
25	1001733	Disposable fabric hood for use with all DAVK & DMAK models (pack of 5)
26	1001676	Disposable fabric head and neck cover for use with all DAVK & DMAK models (pack of 5)
27	1001754	Flame retardant head and neck cover for use with DAWK-4011E
28	1001738	Fabric storage bag for all models

لا تستخدم الجهاز قبل قراءة هذه التعليمات والحصول على تدريب المنتج



تعليمات الاستخدام والصيانة

- يجب أن يكون الهواء المضغوط الموصول إلى عائلة منتجات **Airvisor 2** جيداً صالحاً للتنفس متوافقاً مع **EN 12021**. وتوصي **Honeywell** بأنظمة مرشحات **Clearflow** للمساعدة على تحقيق التوافق. يجب التحقق من جودة الهواء بشكل دوري باستخدام جهاز اختبار مناسب التزم بالتعليمات التالية قبل الدخول إلى منطقة العمل.
- تتوافق طرازات **Airvisor 2DAC** (التي تمكك وصلات مزوجة العمل) مع استخدام موصلات خاصة مزودة العمل لإمداد الهواء المضغوط، مما يوفر ترتيب اتصال خاصاً وحماية إضافية من الانفصال غير المتوقع.



عمليات الفحص قبل الاستخدام

- تحقق من تشغيل صافرة الإنذار للتحقق من توريد الكمية الصحيح من الهواء إلى جهاز التنفس (انظر التعليمات أدناه).
- افحص كل الأجهزة للتأكد من عدم تعرضها للتلف، وانتبه على نحو خاص للخرطوم وأنبوب تغذية القناع وحافة الوجه.
- لا تستخدم جهاز التنفس إذا كان هناك تلف في حافة الوجه أو الناشر على أنبوب الإمداد بالهواء لأن هذا سوف يؤثر على الحماية.
- تأكد من أن أغشية القناع توفر رؤية جيدة.

ارتداء الجهاز

- قم بتثبيت مجموعة حزام الوسط حول الوسط واضبطها بحيث تظل مرتاحاً. وإذا اقتضى الأمر، فارتد القنطرة القماشية (25) قبل مجموعة القناع.
- أبقِ القناع مرفوعاً (6، 7، 8) واضبط الشريط التاجي وعباية الرأس لتلائم باكم.
- أدخل طرف أنبوب الإمداد بالهواء والضبط بالقاطع (5) في مقبس التحريك السريع عالي التدفق المصغر (17).
- اختر خرطوم هواء مناسب الطول (23) حتى 10 أمتار كحد أقصى وقم بتوصيل مقبس QR عالي التدفق الموجود على الخرطوم إلى مدخل الهواء (21) الموجود على مجموعة حزام الوسط.
- قم بتوصيل الطرف الأخر بمصدر الهواء المرشح.

عند استخدام طرازات **Airvisor 2DAC**، استخدم خرطوم إمداد الهواء الأخضر. واستخدم الخراطيم الزرقاء لطرازات **Airvisor 2** القياسية.



قم بإلزام الأداة التي تعمل ببطاقة الهواء (24) إذا اقتضى الأمر بمخرج الهواء (22) في مجموعة حزام الوسط.

قم بتشغيل مصدر الهواء واضبط الضغط ليكون ما بين 4.5 بار (61 رطلًا لكل بوصة مربعة) و 7 بار (102 رطلًا لكل بوصة مربعة) في مدخل مجموعة حزام الوسط (انظر مخطط ضغط الإمداد في ظهر الصفحة). تأكد من عدم وجود تسرب للهواء. إذا سمعت صوت صافرة التحذير، قم بزيادة ضغط الإدخال إلى أن تتوقف. في حال لم تتوقف الصافرة عند زيادة الضغط، فأوقف مصدر الهواء وأبدأ التشغيل مرة أخرى بعد ضبط الضغط.

ملاحظة: لا مجموعة **Airvisor 2** و **MV 2** المستخدمتين جنباً إلى جنب مع أداة إضافية تعمل بالهواء أو مرشح، تتطلبان ضغط إدخال أعلى (إذا يجب إجراء المزيد من الفحص) إذا كان العمل بهذه الطريقة، يجب تشغيل الأداة قبل ارتداء جهاز التنفس - وإذا أصدرت صافرة التحذير صوتاً في ظل هذه الظروف، قم بزيادة ضغط الإدخال إلى أن تتوقف. يضمن هذا توفير هواء كافٍ لكل من قناع جهاز التنفس والأداة الإضافية أو المرشح.

في بعض القناع، مع إجراء التعديلات اللازمة على الشريط التاجي وعباية الرأس لضمان أفضل ملائمة لحافة الوجه حول الوجه. تأكد من عدم وجود فجوات مرئية واضمح بين الحط وحافة الوجه بالجهاز. إذا اكتشفت فجوات، فأعد ضبط الجهاز إلى أن يتم إغلاق هذه الفجوات. أصبحت أجزاء اللدخول إلى المنطقة الملوثة الرجاء ملاحظة: إذا أصدرت صافرة التحذير صوتاً خلال ظروف التشغيل المعتادة، فهذا يشير إلى أنه لا يوجد تنفق هواء كافٍ إلى قناع جهاز التنفس - ترك المنطقة الملوثة على الفور ثم أخلع القناع وزد ضغط الإدخال وصولاً إلى مستوى مناسب.

استبدال أنبوب توريد الهواء ومجموعة التنفس (كل الطرازات):

- إذا تعرض أنبوب مصدر الهواء (5) للاضرار أو التلوث، فيجب استبداله لتجنب حدوث تسرب.
- قم بفك الأنبوب من نقاط التثبيت الخاصة به (مثبت في أخود خلف الحودة ومرتكب على وتدي تثبيت شفاهين) واسحب الناشر من حامله المنحني المرتكب في الممتص بعد إزالة الغطاء.
- قم بتركيب المجموعة الجديدة من خلال تثقيف الناشر الرغوي بحرص في الحامل المنحني وتثبيت مشبك الغطاء في مكانه.
- أعد تركيب أنبوب توريد الهواء بالقاطع/الإطار باستخدام وتدي التثبيت، مع التحقق من تركيب الأنبوب في الأخود بالخودة.

استبدال أغشية القناع القابلة للتزح (كل الطرازات):

قم بتحديد موقع غطاء القناع (11/10/9) فوق المسامير المعدنية على أي من جانبي القناع.

استبدال القناع طرازات **DAVK-000*E** و **DAWK-4001E**:

- قم بفك مشبك أنبوب توريد هواء القناع (6) من وقي الحاجبين.
- أثناء الإسماع بوالي الحاجبين، اضغط على أعلى القناع (6) بإحكام من الخارج إلى الداخل باستخدام الإبهام والسبابة.
- قم بفك حطابيف تعلق القنحات الرئيسية للقناع من ارتداء وفي الحاجبين زرقة اللون على أي من الحاجبين.
- إذا كنت توي إعادة استخدام أنبوب توريد الهواء الخاص بالقناع، قم بفك مشبك الأنبوب من داخل القناع من طريق سحب وتدي التثبيت الشفاهين بعناية ولا قم بالتخلص من كل من القناع والأنبوب.
- لإعادة التجميع، قم بإدخال موصل QR الخاص بالأنبوب بالهواء الأعلى من خلال الفتحة في قوع القناع.
- قم بتركيب أنبوب توريد الهواء بالقناع باستخدام وتدي التثبيت الشفاهين والحامل المنحني المرتكب في الممتص.
- أعد تركيب ارتداء وفي الحاجبين زرقة اللون في شقوق القنحات الرئيسية في أعلى القناع مع الضغط بإحكام، وقم بالتدوير باتجاه وقي الحاجبين وقم بالتثبيت باستخدام المشبك.

استبدال عبية حافة الوجه (طرازات **dMAK-002*E** و **DAWK-4011E**):

- ضغ قناع الهواء المطلوب على الذراع وأمسك الإطار المصبوب.
- باستخدام يدك الحرة، أمسك الجزء السفلي من عبية حافة الوجه وأبعد عن القناع بحركة سريعة واحدة.
- حد العلية الجديدة (12، 14) أسفل القناع.
- أبداً بأحد الطرفين وتابع حول الإطار، أزح العلية وثبتها على حافة القناع. بالنسبة للأجزاء القماشية، تأكد من مرور الأطراف الحرة داخل عباية الرأس ثم من بطي الجزء الخارجي من عباية الرأس، واربط الأجزاء الحلفية على نفسها باستخدام مسامير الكيس - إذا كنت في شك من أنك في شك من الأمر، فارجع إلى التكوين الحالي قبل الفك.
- يجب استبدال العلية في أي وقت يتم فيه اكتشاف أية علامات على التقق أو تراكم الغبار أو الأسماح.

استبدال القناع (طرازات **dMAK-002*E** و **DAWK-4011E**):

- تحقق من عدم وجود تلف بأشرطة منع التسرب الرغوية، واستبدالها إذا اقتضى الأمر.
- أزح القناع بالضغط عليه من الداخل.
- ضغ اللسان الجانبي للقناع في فتحة طوق القناع مع التأكد من وجود الحافة الطرية في مجرى وقي الحاجبين.
- قم بتقييم الإحشاء المستدير للقناع (7) الخاص بطوق القناع، وفي النهاية ضغ الألسن المنخفضة في فتحات وقي الذقن.

:DAWK-4001E

قم برفق بإزاع مشبك الحسنة الموجودة داخل الغلاف.
قم برفق بإزاع الغطاء والمرشح
استبدل المرشح متى اقتضت الضرورة ذلك
استبدل المشبك والبراغي.

:DAWK-4011E

في حالة مجموعة اللحام V، يمكن الوصول إلى نظام الاحتفاظ بالنوافذ من الجهة الخرجية لغلاف اللحام بعد إزالة الغطاء الخارجي أزرق اللون. إضافة إلى ذلك، توضع مجموعات زجاج النوافذ المغطاة في مكانها مع نظام المشبك المزمن.

استبدال خرطوشة الكربون:



يجب استبدال خرطوشة الكربون (19) إذا تم اكتشاف رائحة، أو بعد 1000 ساعة من الاستخدام (الحد الأقصى).

افصل حزام الوسط من مورد الهواء وأزل كل الخراطيم المتصلة ثم أزل براغي التثبيت الثلاث.
قم بالإمالة إلى الأمام وأزل مجموعة الضغط والقبب حزام الوسط لإزالة خرطوشة الكربون.
قم بتثبيت حقلات منع التسرب المصممة على شكل (O) بالجزء العلوي والسفلي من الخرطوشة البنية
أدخلها إلى مبيتها وأعد ضبط موضع القبب الأسود على مجموعة المنظم في الفتحة الموجودة في النصف السفلي من مبيت حزام الوسط.
أعد تركيب البراغي والتوصيل بمورد الهواء.
تحقق من عدم وجود تسرب للهواء.



عند تركيب الأجزاء البديلة، استخدم فقط أجزاء Honeywell المحفوظة على أفضل حمية.

التنظيف والتعقيم بعد كل استخدام

أزل اللوحة والأوساخ عن الجهاز باستخدام قطعة قماش رطبة مبللة بمنظف معتدل أو بمحلول صابون سائل.
لا تغير الجهاز.
لا تستخدم مبيدًا أو مطهرًا غير مخفف فهو قد يضر بالجهاز.
لا تستخدم منتج تنظيف كاشط فهو قد يضر بسطح الجهاز أو يخدش القناع.
التركة يجب بشكل كامل في منطقة جيدة التهوية بعيدًا عن ضوء الشمس المباشر أو مصادر الحرارة العالية أو الحرارة الإشعاعية.
ضع الجهاز في حقيبة التخزين (28) بعد التنظيف والتعقيم.



- يجب أن يكون الهواء المضغوط الموصول إلى عجلة منتجات Airvisor 2 جيدًا صالحًا للتنفس متوافقًا مع EN 12021.
- تأكد من أنه يتم التحكم في محتوى رطوبة الهواء المستنشق في نطاق الحدود المقررة في ... لتجنب تسبب الهواء في تجميد الجهاز في درجات الحرارة المنخفضة.
- يجب إلام عالية خاصة لضمان عدم التماسل بالجهاز بأنظمة خطوط الهواء البديلة في مكان العمل التي توجد غازات بخلاف الهواء الجيد الصالح للتنفس.
- يجب عدم توصيل الجهاز بمورد للأكسجين أو للهواء المحسن بالأكسجين.
- عند توصيل أكثر من مستخدم واحد بنظام الهواء المتوفر، تأكد من أن النظام سعة كافية لإمداد كل مستخدم.
- استخدام خرطوم هواء Honeywell BlueLine (Airvisor 2 القياسي) أو الخرطوم الأخضر (Airvisor 2 DAC) ووصلات الاقتران عالية التدفق هو جزء أساسي من الاعتماد، لا تستخدم أي نوع آخر من الخراطيم ولا يتم تعديل الخراطيم المقرر استخدامها مع جهازك.
- أقصى طول لخرطوم التوريد للأجهزة من الفئة (A) هو 10 أمتار تشكل خرطومًا واحدًا دون التماسل.
- أقصى ضغط عمل (السمي) لخراطيم توريد الهواء المضغوط من Honeywell هو 10 بار.
- لا يستخدم في الحالات التي تتجاوز درجة الحرارة المحيطة فيها 35 درجة مئوية، توخ الحذر من تبريد الجهاز في حجرة الرش عند التحول إلى فرن التجفيف.
- لا يستخدم في الحالات التي قد يعالج فيها المستخدم من أي لا يمكن شفائه في حالة عدم الحمية، ولا في البيئات التي تنخفض فيها نسبة الأكسجين.
- ربما يصعب الضغط داخل الخرطوشة في معدلات العمل المرتفعة للغاية لسببها في التدفق الأقصى لعملية الاستنشاق.
- عندما تكون في منطقة ملوثة، تأكد من قفل القناع في الوضع المنخفض وتراجع مباشرة من منطقة الخطر إذا كانت هناك شكوك بوجود عطل أو إذا أصدرت صافرة التحذير صوتًا.
- يتم توفير الحمية من المعدن المصنوع فقط عند استخدام أغطية الأقفال القابلة للترع.
- عند التزود، تشير العلامة "1" إلى أنه يمكن استخدام الجهاز وخرطوم توريد الهواء المضغوط في المواقف التي تشكل فيها قابلية الاشتعال مصدر خطر.
- ربما لا يوفر الجهاز حماية ملامسة في بعض البيئات عالية السمية. يتحمل المستخدم مسؤولية التأكد من ملاممة الجهاز للعمل الذي سيتم القيام به، وعلامته للمستخدم الفردي. الرجاء الرجوع إلى التشرية المحلي للحصول على التوجيه.

أدنى ضغوط إمداد في مدخل خرطوم توريد الهواء المضغوط:

ضغط الإمداد بالبار (رطلاً لكل بوصة مربعة)		تجويد خرطوم الإمداد (مم)	طول الخرطوم (م)
DAVK-0003E, 0004E	DAVK-0001E	8	3.5
DMAK-0023E, 0024E	DMAK-0021E		7.5
DAWK-4001E, 4011E		10	5.3 بار (77 رطلاً لكل بوصة مربعة)
4.5 بار (61 رطلاً لكل بوصة مربعة)			5.4 بار (79 رطلاً لكل بوصة مربعة)
4.6 بار (63 رطلاً لكل بوصة مربعة)			5.5 بار (80 رطلاً لكل بوصة مربعة)
4.7 بار (64 رطلاً لكل بوصة مربعة)			



- أقصى طول لخرطوم الإمداد هو 10 أمتار.
- بالنسبة لـ DAVK-0001E و DMAK-0021E، إذا أصدرت صافرة التحذير صوتًا في أي وقت خلال تشغيل الإداة الإضافية أو المرش، فزد ضغط الإدخال إلى أن تتوقف. وهذا يضمن أن هناك هواء كافيًا يصل إلى الخرطوشة وأنه تتم المحافظة على سلامتك.

الشهادة/الإعتماد	معتمد من (CE 0194) CE
قياسي/ الالتزام	EN 14594:2005 (فئة أ) تشغيل خفيف)
عوامل الحماية الاسمية	الفئة 3 = 200 طرازات DAWK الفئة 4 = 2000 طرازات DAWK & DMAK
القناع: مقاوم كيميائي مقاوم للصدمات	EN 166.2.F EN 166.2.B.9
أدنى معدل تدفق تصميمي للشركة المصنعة أقصى معدل للتدفق	260 لتر/دقيقة 290 لتر/دقيقة
ضغط التشغيل	4.5 بار (61 رطلاً لكل بوصة مربعة) إلى 7.0 بار (102 رطلاً لكل بوصة مربعة)
أقصى درجة حرارة للتشغيل	C°35
خرطوشة الكربون	استبدل بعد 1000 ساعة، أو إذا تم اكتشاف رائحة داخل الخوذة

عوامل الحماية

عامل حماية مخصص (APF) لـ 40 يعني أنه يمكن استخدام جهاز التنفس في مناطق التلوث حتى بم 40 الحد التعرض في مكان العمل. في المناطق الجغرافية الأخرى، الرجاء الرجوع إلى اللوائح أو الإرشادات الإقليمية أو المحلية التي تجعل قيمة عامل الحماية التي يُسمح لك باستخدامها عند اختيار الحماية التنفسية.

أنظمة جهاز التنفس AIRVISOR

المادة رقم	الجزء رقم	الوصف
1013932	DAVK-0001E	مجموعة رش الطلاء لـ Airvisor 2
1013934	DAVK-0003E	المجموعة الكيميائية لـ Airvisor 2
1013935	DAVK-0004E	المجموعة الصناعية لـ Airvisor 2
1013938	DMAK-0021E	مجموعة رش الطلاء لـ Airvisor 2 MV
1013939	DMAK-0023E	المجموعة الكيميائية لـ Airvisor 2 MV
1013980	DMAK-0024E	المجموعة الصناعية لـ Airvisor 2 MV
1013983	DAWK-4001E	مجموعة اللحام فئة Airvisor 2 FV
1013987	DAWK-4011E	مجموعة اللحام فئة Airvisor 2 W
1765058	DAVK-0001E-DAC	موصل مزدوج العمل لمجموعة رش الطلاء لـ Airvisor 2
1765059	DAVK-0003E-DAC	موصل مزدوج العمل للمجموعة الكيميائية لـ Airvisor 2
1765060	DAVK-0004E-DAC	موصل مزدوج العمل للمجموعة الصناعية لـ Airvisor 2
1765061	DMAK-0021E-DAC	موصل مزدوج العمل لمجموعة رش الطلاء لـ Airvisor 2 MV
1765062	DMAK-0023E-DAC	موصل مزدوج العمل للمجموعة الكيميائية لـ Airvisor 2 MV
1765063	DMAK-0024E-DAC	موصل مزدوج العمل للمجموعة الصناعية لـ Airvisor 2 MV
1765064	DAWK-4001E-DAC	موصل مزدوج العمل لمجموعة اللحام فئة Airvisor 2 FV
1765065	DAWK-4011E-DAC	موصل مزدوج العمل لمجموعة اللحام فئة Airvisor 2 W

الخوذات الاحتياطية (كاملة):

DAVK-0001/03 ^E	للاستخدام مع	DAVK-0051E	1013936
DAVK-0004 ^E	للاستخدام مع	DAVK-0052E	1013937
DMAK-0021/23 ^E	للاستخدام مع	DMAK-0071E	1013981
DMAK-0024 ^E	للاستخدام مع	DMAK-0072E	1013982
DAWK-4001E	للاستخدام مع	DAWS-4101E	1013986
DAWK-4011E	للاستخدام مع	DAWS-4201E	1013988

نخزمة الوسط الاحتياطية (كاملة):

DMAK-0021E,DAVK-0001E	للاستخدام مع	DAVW-1001 ^E	1013989
DAWK-4001/11E و DMAK-0023/24 ^E , DAVK-0003/04 ^E	للاستخدام مع	DAVW-1003E	1013990
DMAK-0021E-DAC,DAVK-0001E-DAC	للاستخدام مع	DAVW-1001E-DAC	1765066
DAWK-4001/11E-DAC, DMAK-0023/24E-DAC, DAVK-0003/04E-DAC	للاستخدام مع	DAVW-1003E-DAC	1765067

الأجزاء البديلة والملحقات (كما هو موضح في رسومات المنتج):

رقم	المادة رقم	الوصف
1	1028821	واقى الحاجبين وعصاية الرأس لطرازات DAVK Airvisor 2
2	1028822	واقى الحاجبين وعصاية الرأس لطرازات DMAK Airvisor 2 MV
3	1028823	مجموعة عصاية الرأس لمجموعة اللحام فئة Airvisor 2 FV
4	1028824	واقى الوجه وعصاية الرأس لمجموعة اللحام فئة Airvisor 2 W
5	1028825	أنبوب الإمداد بالهواء ومجموعة الناشر الخاص بـ Airvisor 2 لكل الطرازات
6	1028826	قناع الأسيئات (المقاوم الكيميائي) للاستخدام مع DAVK-0001/03 ^E
6	1028827	قناع البولي كربونات (مقاوم الصدمات) للاستخدام مع DAVK-0004E
7	1001775	قناع الأسيئات (المقاوم الكيميائي) للاستخدام مع DMAK-0021/23E (مجموعة من 5)
7	1001774	قناع البولي كربونات (مقاوم الصدمات) للاستخدام مع DMAK-0024E (مجموعة من 5)
	1028870	أشرطة منع التسرب الخاصة بالقناع للاستخدام مع العناصر 7 (مجموعة من 10)
8	1028828	قناع داخلي متعدد الكربونات (مقاوم للصدمات) للاستخدام مع DAWK-4001E
9	1001732	أغطية الأتعة القابلة للزخ للاستخدام مع كل طرازات DAVK (مجموعة من 10)
9	1001731	أغطية الأتعة القابلة للزخ للاستخدام مع كل طرازات DAVK (مجموعة من 50)
10	1001778	أغطية الأتعة القابلة للزخ للاستخدام مع كل طرازات DMAK (مجموعة من 10)
10	1001779	أغطية الأتعة القابلة للزخ للاستخدام مع كل طرازات DMAK (مجموعة من 50)
11	1001749	أغطية الأتعة القابلة للزخ للاستخدام مع DAWK-4001E (مجموعة من 10)
12	1013994	علية سدادة الوجه القماشية لطرازات DMAK (مجموعة من 5)
13	1001748	مجموعة سدادة الوجه القماشية لـ DAWK-4001E
14	1013994	علية سدادة الوجه القماشية لـ DAWK-4011E (مجموعة من 5)
15	1001750	غلاف اللحام لـ DAWK-4001E
16	1005103	غلاف اللحام لـ DAWK-4011E
17	1001725	مقيس التحرير السريع عالي التدفق المصغر
18	1028829	مجموعة منظم Airvisor 2 لكل الطرازات بخلاف DAC
18	1765068	مجموعة منظم Airvisor 2 لكل طرازات DAC
19	1001672	خرطومشة الكربون لكل الطرازات
20	1001674	مبيت حزام الوسط والحزام القماشي
21	1028830	قابس التحرير السريع عالي التدفق لـ Airvisor 2 (بخلاف الطراز DAC)
21	1765069	قابس مزدوج البند للتحرير السريع عالي التدفق لـ Airvisor 2 (الطراز DAC)
22	1028831	مقيس التحرير السريع عالي التدفق لـ Airvisor 2
23	1001726	خرطوم مصدر الهواء BlueLine 3.5 م (Airvisor 2 بخلاف الطراز DAC)
23	1001727	خرطوم مصدر الهواء BlueLine 7.5 م (Airvisor 2) بخلاف الطراز DAC
23	1004716	خرطوم مصدر الهواء BlueLine 10 م (Airvisor 2) بخلاف الطراز DAC
23	1765070	خرطوم مصدر الهواء الأخضر 3.5 م (Airvisor 2) بخلاف الطراز DAC
23	1765071	خرطوم مصدر الهواء الأخضر 7.5 م (Airvisor 2) بخلاف الطراز DAC
23	1765072	خرطوم مصدر الهواء الأخضر 10 م (Airvisor 2) بخلاف الطراز DAC
24	1001683	خرطوم هواء المرش (م 1.2) للاستخدام مع DAVK-0001E و DMAK-0021E
25	1001733	الفتلوسة القماشية القابلة للزخ للاستخدام مع كل طرازات DAVK & DMAK (مجموعة من 5)
26	1001676	غطاء الرأس والرقيقة القماشي القابل للزخ للاستخدام مع طرازات DAVK & DMAK (مجموعة من 5)
27	1001754	غطاء الرأس والرقيقة صعب الاحتراق للاستخدام مع DAWK-4011E
28	1001738	حقيبة تخزين قماشية لكل الطرازات

РЕСПИРАТОР С ПОДАВАНЕ НА ВЪЗДУХ ИНСТРУКЦИИ ЗА ПОТРЕБИТЕЛЯ ЗАПАЗЕТЕ ГИ ЗА СПРАВКИ В БЪДЕЩЕ



Не използвайте оборудването, преди да сте прочели тези инструкции и да сте получили съответното обучение.

ИНСТРУКЦИИ ЗА УПОТРЕБА И ПОДДРЪЖКА



- Сгъстеният въздух, подаван към групата продукти Airvisor 2, трябва да бъде с качество, което го прави пригоден за вдишване съгласно EN 12021. За да се отговори на тези изисквания, Honeywell препоръчва използването на филтърни системи Clearflow. Качеството на въздуха трябва да се проверява периодично, като се използва подходящо изпитвателно оборудване. Преди влизането в работната зона се съобразете със следните инструкции:
- Моделът Airvisor 2 DAC (със съединители с двойно действие) предлага специални съединители с двойно действие за подаване на състен въздух, което осигурява специфичен формат на свързването и допълнителна защита срещу неочаквано разединяване.

ПРОВЕРКИ ПРЕДИ ИЗПОЛЗВАНЕ

- Проверете работата на предупредителната аларма, за да се убедите, че в респиратора се подава необходимия обем въздух (вж. инструкциите по-долу).
- Проверете цялото оборудване за евентуални повреди, като обърнете особено внимание на маркуча, подаващата тръба на визьора и покритието за лицето.
- Не използвайте респиратора, ако покритието за лицето или дифузора на тръбата за подаване на въздух са повредени, тъй като това ще се отрази отрицателно на степента на защита.
- Уверете се, че покритието на визьора осигурява добра видимост.

ОБЛИЧАНЕ НА ЕКИПИРОВКАТА

- Затегнете колана около кръста си и го регулирайте така, че да прилегне удобно. Ако е необходимо, поставете и платнената качулка (25), а след това и визьора.
- Като държите визьора (6, 7, 8) вдигнат, регулирайте ремъците в горната част на шлема и ремъка за главата, така че да са закрепени добре.
- Свържете края на тръбата за подаване на въздух на визьора (5) към муфата за бързо разединяване при интензивен поток (17).
- Изберете въздушен маркуч с подходяща дължина (23) максимум до 10 метра и свържете муфата за бързо разединяване при интензивен поток на маркуча с отвора за приток на въздух (21) на колана.
- Другият край свържете с отвора за подаване на филтриран въздух.



При употребата на модели Airvisor 2 DAC (със съединители с двойно действие), използвайте зеления маркуч за подаване на въздух. За стандартните модели Airvisor 2 използвайте сините маркучи.

Свържете пневматичния инструмент (24), ако е необходимо, към отвора за изпускане въздуха (22) на колана.

Включете подаването на въздух и регулирайте налягането, така че то да бъде между 4.5 бара (61 psi) и 7 бара (102 psi) на входния отвор на колана (вж.таблицата за подаваното налягане на обратната страна на листа). Уверете се, че няма изтичане на въздух. При сигнал от предупредителната аларма, увеличете входното налягане, докато алармата спре. Ако алармата не спре след увеличаване на налягането, затворете подаването на въздух и започнете отново, след като сте регулирали налягането.

Имайте предвид, че комплектите Airvisor 2 и Airvisor 2 MV, използвани в съчетание с допълнителен пневматичен инструмент, или с пистолет за пръскане, изискват по-голямо входно налягане (така че се налага да се направи допълнителна проверка). При работа по този начин, инструментът трябва да бъде пуснат в действие преди да се сложи респираторът - ако при тези обстоятелства прозвучи сигналът на предупредителната аларма, увеличете входното налягане, докато алармата не спре. Така ще е сигурно, че има достатъчно въздух както за визьора на респиратора, така и за допълнителния инструмент или пистолета за пръскане.

Спуснете визьора, като регулирате, ако е необходимо, горните ремъци и ремъка за главата, за да се постигне най-оптимално поставяне на покритието за лицето около самото лице. Проверете да няма останали пролуки между кожата на лицето и покритието. Ако откриете такива, регулирайте устройството отново, докато не ги запустите. Сега сте готови да влезете в заразената област. Имайте предвид, че ако в нормални работни условия прозвучи сигналът на предупредителната сирена, това означава, че през визьора на респиратора не минава достатъчен въздушен поток - незабавно напуснете заразената област, след което махнете визьора - увеличете входното налягане до необходимото ниво.

Смяна на тръбата за подаване на въздух и дифузора (всички модели):

- Ако тръбата за подаване на въздух (5) е износена или повредена, тя трябва да бъде сменена, за да се избегне изтичане на въздух.
- Откачете тръбата от точките на монтиране (тя е закрепена в жлеб отзад на шлема и монтирана на два прозрачни фиксатора) и извадете дифузора от неговия монтиран централно, извит държач, след като махнете капачката.
- Поставете новия комплект, като внимателно запълните порестия дифузор в извития държач, и шракнете капачката обратно на мястото ѝ.
- Закрепете отново тръбата за подаване на въздух към визьора/рамката с помощта на двата фиксатора, като внимавате да поставите тръбата точно в жлеба на шлема.

Смяна на еднократните покрития на визьора (за всички модели):

- Поставете покритието за визьора (9/10/11) върху металните щифтове от двете страни на визьора.

Смяна на визьора (модели DAVK-000*E & DAWK-4001E):

- Откачете тръбата за подаване на въздух на визьора (5) от челника.
- Като държите челника, натиснете силно върху визьора (6) с палеца и показалеца в посока отвън навътре.
- Откачете прорезите на визьора от сините щифтове на челника, разположени от двете страни.
- Ако тръбата за подаване на въздух на визьора ще се използва отново, отключайте тръбата отвътре на визьора, като внимателно извадите двата прозрачни фиксатора; в противен случай изхвърлете и визьора, и тръбата.
- За да сглобите отново, вдигнете QR съединителя на тръбата за подаване на въздух през дупката в панела на визьора.
- Фиксирайте тръбата за подаване на въздух към визьора с помощта на двата прозрачни фиксатора и централно монтирания, извит държач.
- Поставете отново сините щифтове на челника в прорезите отгоре на визьора и, като натискате силно, завъртете по посока на челника и закачете на място.

Смяна на касетата с челен уплътнител (DMAK-002*E & DAWK-4011E модели):

- Вземете обръщания Airvisor в ръка и хванете профилната рамка.
- Със свободната си ръка хванете долния край на касетата с челия уплътнител и я отстранете от визьора с едно бързо дръпане.
- Поставете резервната касета (12, 14) под визьора.
- Като започнете от единия край и се движите по продължение на рамката, фиксирайте касетата в рамката на визьора. Уверете се, че свободните краища на платнените части минават от вътрешната страна на ремъка за главата, след което съгнете надолу външната страна на ремъка, като закопчеште вътрешната страна върху нея с копчета тик-так - в случай на смянение, преди да започнете разглобяването, направете справка със съществуващата конфигурация.
- Касетата трябва да бъде сменена при появата на видими знаци на повреда или отлагане на прах и замърсявания.

Смяна на визьора (модели DMAK-002*E & DAWK-4011E):

- Проверете уплътняващите ленти от пенопласт за евентуални повреди и ги сменете, ако е необходимо.
- Свалете визьора, като го натиснете отвътре.
- Поставете страничния издатък на визьора в слота на обрамлението на визьора, така че горният край да се намира в жлеба на челника.
- Напаснете закръглената извивка на визьора (7) към обрамлението на визьора и накрая поставете долните издатъци в слотовете на предпазното устройство за брадичката.

Смяна / Постановяне на филтър за заваряване (само за комплекти за заваряване)

DAWK-4001E:

- Отвийте винтовете на скобата на лещата от вътрешната страна на шлема.
- Отстранете покриващите пластини и филтъра.
- Сменете филтъра, ако е необходимо.
- Поставете обратно скобата и винтовете.

DAWK-4011E:

Ако се използва комплект за заваряване от серията W, достъпът до системата за задържане на стъклото се осъществява от външната страна на шлема за заваряване, след сваляне на светло-синия външен капак. Модулите със затъмнени стъкла се държат на място чрез гъвкава система от скоби.

Смяна на патрона с въглерод:



Патронът с въглерод (19) трябва да бъде сменен, ако бъде почувствана миризма, или след 1000 часа употреба (максимум).

- Махнете колана от подаването на въздух, махнете всички свързващи маркучи и отстранете трите фиксиращи болта.
- Наклонете напред и извадете механизма на регулатора и обърнете колана, за да отстраните патрона с въглерод.
- Закрепете "O" уплътненията отдолу и отгоре на патрона за смяна.
- Поставете го в корпуса и преместете черния крайник на регулатора в слота в долната лява половина на корпуса на колана.
- Затегнете отново болтовете и свържете отново подаването на въздух.
- Проверете за изтичане на въздух.



Когато закрепвате сменените части, използвайте само части на Honeywell за осигуряване на оптимална защита.

ПОЧИСТВАНЕ И ДЕЗИНФЕКЦИЯ СЛЕД ВСЯКА УПОТРЕБА

- Отстранете праха и замърсяванията от апарата с помощта на кърпа, навлажнена с мек дезинфектант или разтвор от течен сапун.
- Не потапяйте апарата в разтвора.
- Не използвайте разтворител или неразреден почистващ препарат, който може да повреди устройството.
- Не използвайте абразивни почистващи продукти, които могат да повредят повърхността на апарата или да надраскат визьора.
- Оставете го да изсъхне напълно на добре проветрявано място, далеч от пряка слънчева светлина и източници на висока температура или лъчиста топлина.
- След като сте почистили и дезинфекцирали апарата, поставете го в торбичката за съхранение (28).



- Сгъстеният въздух, подаван към групата продукти Airvisor 2, трябва да бъде с качество, което го прави пригоден за вдишване съгласно EN 12021.
- Уверете се, че съдържанието на влага във вдишания въздух се регулира в рамките на ограниченията, определени в EN 12021, за да се избегне замръзване на апарата при ниски температури.
- Трябва особено да се внимава да не се свърже апарата към алтернативна система тръбопроводи на работното място, пренасящи други газове, различни от въздух, подходящ за вдишване.
- Апаратът не трябва да се свързва с устройство за подаване на кислород или обогатен с кислород въздух.
- Когато към системата за подаване на въздух са свързани повече от един потребители, уверете се, че системата има достатъчен капацитет, за да осигури достатъчно въздух за всеки от потребителите.
- Използването на синия въздушен маркуч на Honeywell (за стандартен Airvisor 2) или на зелен маркуч (за Airvisor 2 със съединител с двойно действие) и на муфите за интензивен поток е задължително. Не използвайте никакъв друг вид маркучи и не се опитвайте да модифицирате маркучите, които са предназначени за работа с апарата.
- Максималната дължина на доставящия маркуч за устройства клас А е 10 метра, и той трябва да е един цял маркуч. Не трябва да се свързват по-къси маркучи, за да се получи максималната дължина.
- Максималното (номинално) работно налягане за маркучите за подаване на въздух на Honeywell е 10 бара.
- Не е подходящ за използване в области с температура на околната среда над 35°C. Внимавайте да не оставите оборудването в спрей кабината, когато е приспособена за сушилня.
- Да не се използва в обстоятелства, при които потребителят ще е изложен на необратима вреда, ако е незашитен, както и в среда с недостатъчно кислород.
- При много високи работни коефициенти, налягането вътре в шлема може да стане отрицателно в пика на инхалационния поток.
- Когато се намирате в зарамена област, визьорът трябва да бъде фиксиран в най-ниска позиция. Необходимо е незабавно да напуснете опасната област, ако имате съмнения в правилната работа на устройството, или ако чуете сигнала на предупредителната аларма.
- Защита от разтопен метал се осигурява само когато се използват еднократни покрития на визьора.
- Където е целесъобразно, маркировката F1 показва, че апаратът и тръбата за подаване на сгъстен въздух може да се използват в ситуации, където запалимостта би могла да представлява риск.
- Апаратът може да не предоставя подходяща защита при особено високо токсична атмосфера. Отговорност на потребителя е да се увери, че апаратът е готов за работата, която предстои, и че е регулиран според индивидуалния потребител. Направете справка с местните правила и норми.

Минимално подавано налягане при отвора на маркуча за подаване на сгъстен въздух:

		Подавано налягане, бар (psi)	
Отвор на подаващия маркуч (mm)	Дължина на маркуча (m)	DAVK-0001E DMAK-0021E	DAVK-0003E, 0004E DMAK-0023E, 0024E DAWK-4001E, 4011E
8	3.5	5.3 бара (77 psi)	4.5 бара (61 psi)
	7.5		4.6 бара (63 psi)
	10	5.4 бара (79 psi)	4.7 бара (64 psi)
		5.5 бара (80 psi)	



- Максимална дължина на подаващия маркуч 10 метра.
- За DAVK-0001E и DMAK-0021E - ако се чуе сигнал от предупредителната аларма по време на работа на допълнителния инструмент или пистолета за пръскане, повишете входното налягане, докато сигналът спре. Това ще гарантира подаването на достатъчно въздух в шлема и по този начин-сигурността Ви.

ТЕХНИЧЕСКА ИНФОРМАЦИЯ

Сертифициране/Одобрение	СЕ одобрение (CE 0194)
Стандарт/Съответствие	EN 14594:2005 (облекчен режим на работа, клас А)
Коефициенти на номинална защита	Клас 3 = 200 DAWK модели Клас 4 = 2000 DAVK & DМАК модели
Визьор: Химически устойчив Удароустойчив	EN 166.2.F EN 166.2.B.9
Проектирана от производителя минимална интензивност на подаването	260 l/min
Максимална интензивност на подаването	290 l/min
Работно налягане	4.5 бара (61 psi) до 7.0 бара (102 psi)
Максимална работна температура	35°C
Патрон с въглерод	Да се смени след 1000 часа работа или ако в шлема бъде усетена миризма

КОЕФИЦИЕНТИ НА ЗАЩИТА

Зададеният коефициент за защита (APF) 40 означава, че аспираторът може да се използва в замърсени области с концентрация до 40 пъти по-висока от допустимата концентрация на работното място. В други географски области е необходимо да се направи справка с националните и регионалните правила или насоки, които определят стойността на фактора на защита, който трябва да имате предвид при избора на средства за дихателна защита.

РЕСПИРАТОРНИ СИСТЕМИ AIRVISOR

Артикул №	Част №	Описание
1013932	DAVK-0001E	Комплект за пръскане на боя Airvisor 2
1013934	DAVK-0003E	Химически комплект Airvisor 2
1013935	DAVK-0004E	Промислен комплект Airvisor 2
1013938	DМАК-0021E	Комплект за пръскане на боя Airvisor 2 MV
1013939	DМАК-0023E	Химически комплект Airvisor 2 MV
1013980	DМАК-0024E	Промислен комплект Airvisor 2 MV
1013983	DAWK-4001E	Комплект за заваряване, серия Airvisor 2 FV
1013987	DAWK-4011E	Комплект за заваряване, серия Airvisor 2 W
1765058	DAVK-0001E-DAC	Комплект за пръскане на боя със съединител с двойно действие Airvisor 2
1765059	DAVK-0003E-DAC	Химически комплект със съединител с двойно действие Airvisor 2
1765060	DAVK-0004E-DAC	Промислен комплект със съединител с двойно действие Airvisor 2
1765061	DМАК-0021E-DAC	Комплект за пръскане на боя със съединител с двойно действие Airvisor 2 MV
1765062	DМАК-0023E-DAC	Химически комплект със съединител с двойно действие Airvisor 2 MV
1765063	DМАК-0024E-DAC	Промислен комплект със съединител с двойно действие Airvisor 2 MV
1765064	DAWK-4001E-DAC	Комплект за заваряване със съединител с двойно действие, серия Airvisor 2 FV
1765065	DAWK-4011E-DAC	Комплект за заваряване със съединител с двойно действие, серия Airvisor 2 W

Резервни шлемове (комплектовани):

1013936	DAVK-0051E	За използване с DAVK-0001/03E
1013937	DAVK-0052E	За използване с DAVK-0004E
1013981	DМАК-0071E	За използване с DМАК-0021/23E
1013982	DМАК-0072E	За използване с DМАК-0024E
1013986	DAWS-4101E	За използване с DAWK-4001E
1013988	DAWS-4201E	За използване с DAWK-4011E

Резервни колани (комплектовани):

1013989	DAVW-1001E	За използване с DAVK-0001E и DMAK-0021E
1013990	DAVW-1003E	За използване с DAVK-0003/04E и DMAK-0023/24E и DAWK-4001/11E
1765066	DAVW-1001E-DAC	За използване с DAVK-0001E-DAC и DMAK-0021E-DAC
1765067	DAVW-1003E-DAC	За използване с DAVK-0003/04E-DAC и DMAK-0023/24E-DAC и DAWK-4001/11E-DAC

Резервни части и аксесоари (както е показано на чертежите на продукта):

№	Артикул №	Описание
1	1028821	Челник и ремък за глава за моделите Airvisor 2 DAVK
2	1028822	Челник и ремък за глава за моделите Airvisor 2 MV DAVK
3	1028823	Модул с ремък за глава за комплект за заваряване, серия Airvisor 2 FV
4	1028824	Челник и ремък за глава за комплект за заваряване, серия Airvisor 2 W
5	1028825	Тръба за подаване на въздух и дифузор за Airvisor 2 за всички модели
6	1028826	Ацетатен визьор (химически устойчив) за използване с DAVK-0001/03E
6	1028827	Поликарбонатен визьор (удароустойчив) за използване с DAVK-0004E
7	1001775	Ацетатен визьор (химически устойчив) за използване с DMAK-0021/23E (пакет от 5)
7	1001774	Поликарбонатен визьор (удароустойчив) за използване с DMAK-0024E (пакет от 5)
	1028870	Уплътнителни ленти за визьор за използване с елемент 7 (пакет от 10)
8	1028828	Поликарбонатен вътрешен визьор (удароустойчив) за използване с DAWK-4001E
9	1001732	Еднократни покрития за визьор за използване с всички DAVK модели (пакет от 10)
9	1001731	Еднократни покрития за визьор за използване с всички DAVK модели (пакет от 50)
10	1001778	Еднократни покрития за визьор за използване с всички DMAK модели (пакет от 10)
10	1001779	Еднократни покрития за визьор за използване с всички DMAK модели (пакет от 50)
11	1001749	Еднократни покрития за визьор за използване с DAWK-4001E (пакет от 10)
12	1013994	Платнена касета с челно уплътнение за моделите DMAK (пакет от 5)
13	1001748	Платнен модул с челно уплътнение за DAWK-4001E
14	1013994	Платнена касета с челно уплътнение за DAWK-4011E (пакет от 5)
15	1001750	Шлем за заваряване за DAWK-4001E
16	1005103	Шлем за заваряване за DAWK-4011E
17	1001725	Миниатюрна муфа за бързо разединяване при интензивен поток
18	1028829	Регулаторен механизъм на Airvisor 2 за всички модели без съединители с двойно действие
18	1765068	Регулаторен механизъм на Airvisor 2 за всички модели със съединители с двойно действие
19	1001672	Патрон с въглерод за всички модели
20	1001674	Корпус на колана и платнен колан
21	1028830	Airvisor 2 (за моделите без съединители с двойно действие) специална пробка за бързо разединяване при интензивен поток
21	1765069	Airvisor 2 (за моделите със съединители с двойно действие) специална двустранна пробка за бързо разединяване при интензивен поток
22	1028831	Airvisor 2 муфа за бързо разединяване при интензивен поток
23	1001726	Син маркуч за подаване на въздух 3.5m (за Airvisor 2 без съединители с двойно действие)
23	1001727	Син маркуч за подаване на въздух 7.5m (за Airvisor 2 без съединители с двойно действие)
23	1004716	Син маркуч за подаване на въздух 10m (за Airvisor 2 без съединители с двойно действие)
23	1765070	Зелен маркуч за подаване на въздух 3.5m (за Airvisor 2 без съединители с двойно действие)
23	1765071	Зелен маркуч за подаване на въздух 7.5m (за Airvisor 2 без съединители с двойно действие)
23	1765072	Зелен маркуч за подаване на въздух 10m (за Airvisor 2 без съединители с двойно действие)
24	1001683	Въздушен маркуч за пистолет за пръскане (1.2m) за използване с DAVK-0001E и DMAK-0021E
25	1001733	Еднократна платнена качулка за използване с всички DAVK и DMAK модели (пакет от 5)
26	1001676	Еднократни платнени покрития за глава и шия за използване с всички DAVK и DMAK модели (пакет от 5)
27	1001754	Пламякоустойчиво защитно покривало за глава и шия за използване с DAWK-4011E
28	1001738	Платнена торбичка за съхраняване за всички модели

POKYNY PRO UŽIVATELE DÝCHAČÍHO PŘÍSTROJE S PŘÍVODEM VZDUCHU UCHOVEJTE PRO DALŠÍ POUŽITÍ



Přístroj nepoužívejte dříve, než se seznámíte s těmito pokyny a budete o použití přístroje poučeni.

POKYNY PRO POUŽITÍ A ÚDRŽBU



- **Stlačený vzduch dodávaný do zařízení řady Airvisor 2 musí být dýchatelné kvality v souladu s normou EN 12021. Pro zajištění souladu s předpisy doporučuje společnost Honeywell používat filtrační systémy Clearflow. Kvalita vzduchu by měla být pravidelně kontrolována pomocí vhodného testovacího zařízení. Před vstupem do pracoviště musíte dodržet následující pokyny.**
- **U modelů Airvisor 2 DAC (dvojitě spojky) jsou navrženy speciální dvojitě konektory pro přívod stlačeného vzduchu, čímž poskytují speciální druh spojení a mimořádnou ochranu proti nečekanému odpojení.**

KONTROLA PŘED POUŽITÍM

- Zkontrolujte funkčnost varovné píšťalky, čímž zajistíte, že do dýchacího přístroje proudí správné množství vzduchu (viz níže uvedené pokyny).
- Ověřte si, že zařízení není poškozeno, přičemž zvláštní pozornost věnujte hadici pro přívod vzduchu, hadici pro přívod vzduchu do masky a lem masky.
- Nepoužívejte dýchací přístroj, pokud je lem masky nebo difúzer na hadici pro přívod vzduchu poškozen, což snižuje míru ochrany.
- Ujistěte se, že krytí masky poskytují dobrou viditelnost.

NASAZENÍ ZAŘÍZENÍ

- Upevněte opaskový blok kolem pasu a utáhněte jej tak, aby vás netlačil. Pokud je to nutné, nasadte si látkovou kapuci (25) a poté samotnou masku.
- Nechte si hledí (6, 7, 8) vytaženo a seřídte si temenní pásek a čelenku, tak aby pevně držely.
- Zapojte konec hadice pro přívod vzduchu do masky (5) do malé vysokopřítokové spojky s rychlým odpojením (17).
- Vyberte vzduchovou hadici vhodné délky (23), která nesmí přesáhnout 10 m, a připojte vysokopřítokovou spojku na hadici k přívodu vzduchu (21) na opaskovém bloku.
- Připojte druhý konec ke zdroji filtrovaného vzduchu.



Při používání modelů Airvisor 2 DAC použijte zelenou hadici pro přívod vzduchu. V případě standardních modelů Airvisor 2 použijte modré hadice.

Je-li to nutné, připojte ke vzduchovému ventilu (22) na opaskovém bloku nářadí na stlačený vzduch (24).

Zapněte přívod vzduchu a nastavte na ventilu opaskového bloku tlak na hodnoty mezi 4,5 bar (61 psi) a 7 bar (102 psi) (viz níže uvedená tabulka s hodnotami vstupního tlaku). Ujistěte se, že nikde nedochází k úniku vzduchu. Spustí-li se varovná píšťalka, zvýšьте vstupní tlak, dokud píšťalka neutichne. V případě, že píšťalka při zvyšování tlaku neutichne, zavřete přívod vzduchu a znovu jej otevřete až poté, co jste tlak upravili.

Upozorňujeme, že soupravy Airvisor 2 a Airvisor 2 MV používané spolu s přidavným zařízením na stlačený vzduch nebo se stříkací pistolí vyžadují vyšší vstupní tlak (takže je nutné provést další kontrolu). V takovém případě je nezbytné spustit zařízení před nasazením dýchacího přístroje. Pokud se za těchto podmínek spustí varovná píšťalka, zvýšьте vstupní tlak, dokud píšťalka neutichne. To zajistí, dostatečné množství vzduchu jak pro masku dýchacího přístroje, tak pro přidavné zařízení nebo stříkací pistolí.

Nasadte si masku a upravte dle potřeby délku temenního pásku a čelenky, aby lem masky dokonale přilnul k obličejí. Zkontrolujte, že nikde nejsou žádné zjevné mezery mezi kůží a lemem masky. Objevte-li nějaké mezery, upravte nastavení zařízení, dokud mezery neodstraníte. Nyní můžete vstoupit do kontaminované zóny. Poznámka: pokud se varovná píšťalka spustí za normálních pracovních podmínek, znamená to, že do masky dýchacího přístroje neproudí dostatek vzduchu - okamžitě opusťte kontaminovanou zónu, poté sundejte masku a zvýšьте vstupní tlak na potřebnou míru.

Výměna hadice pro přívod vzduchu a difúzeru (u všech modelů):

- Je-li hadice pro přívod vzduchu (5) opořebená nebo poškozená, musí být vyměněna, aby se zabránilo únikům.
- Odpojte hadici od jejích připojovacích bodů (umístěných v zadní části masky a namontovaných na dva průhledné zadržovací háčky) a po odstranění krytu sejměte difúzer z jeho zahnutého držáku umístěného uprostřed.
- Novou jednotku namontujete opatrným zasunutím pěnového difúzeru do zahnutého držáku a zacvaknutím krytu zpět na místo.
- Znovu připojte hadici pro přívod vzduchu k masce/rámu pomocí obou zadržovacích háčků a ujistěte se, že hadice zapadla do držáky masky.

Výměna jednorázových krytů masky (u všech modelů):

- Umístěte kryt masky (9/10/11) přes kovové šrouby na každé straně masky.

Výměna hledí (u modelů DAVK-000*E & DAWK-4001E):

- Odepněte hadici pro přívod vzduchu do masky (5) od čelního dílu masky.
- Držte čelní díl a zároveň palcem a ukazováčkem pevně zatlačte do horní části hledí (6) směrem zvenku dovnitř.
- Vyhákněte držáky hledí z modrých háčků čelního dílu umístěných na každé straně.
- Má-li být hadice pro přívod vzduchu znovu použita, odepněte hadici zevnitř tak, že opatrně vytáhnete oba průhledné zadržovací háčky. V opačném případě sundejte hledí i hadici.
- Při novém sestavení protáhněte přípojku vzduchové hadice otvorem v těsnění masky.
- Připojte hadici pro přívod vzduchu do masky k hledí pomocí dvou průhledných háčků a uprostřed umístěného zahnutého držáku.
- Znovu vsadte modré háčky čelního dílu masky do držáků v horní části hledí, pevně zatlačte, otočte směrem k čelnímu dílu masky a zacvakněte.

Výměna lemu masky (u modelů DMAK-002*E & DAWK-4011E):

- Obráťte Airvisor na rubovou stranu a chytněte jej za horní okraj lemu.
- Volnou rukou chytněte spodní část lemu masky a jediným rychlým pohybem zatáhněte směrem od hledí.
- Přidejte náhradní lem (12, 14) pod hledí.
- S nasazováním lemu na okraj masky začněte na jednom konci a pokračujte podél okraje. U částí vyrobených z látky se ujistěte, že volné konce směřují dovnitř čelenky, poté ohněte vnější část čelenky a upevněte je pomocí patentek – v případě pochyb srovnajte s maskou před rozebráním.
- Lem by měl být vyměněn, jakmile vykazuje známky poškození nebo na něm ulpěl nános prachu či špíny.

Výměna hledí (u modelů DMAK-002*E & DAWK-4011E):

- Zkontrolujte, jestli nejsou poškozeny těsnící pěnové pásky a v případě potřeby je vyměňte.
- Hledí odstraňte zatlačením z vnitřní strany.
- Nasadte boční poutko nového hledí do drážky obruby hledí a ujistěte se, že horní okraj je nasazen do drážky čelního dílu.
- Zasuňte oblou část hledí (7) do obruby hledí a nakonec zasuňte spodní poutko do drážek v oblasti brady.

Výměna / montáž svařovacího filtru (pouze svařovací sady)

DAWK-4001E:

- Odšroubujte šrouby upínače na vnitřní straně pláště.
- Demontujte krycí desky a filtr.
- Proveďte podle potřeby výměnu filtru.
- Vraťte upínač a šrouby zpět na své místo.

DAWK-4011E:

V případě svařovací sady řady W je pojistný systém okna přístupný z vnější strany svařovacího pláště po demontáži světle modrého vnějšího krytu. Sestavy tónovaného skla jsou přidržovány na svém místě pomocí pružného upínacího systému.

Výměna uhlíkového filtru:



Uhlíkový filtr (19) by měl být vyměněn, jakmile ucítíte zápach nebo po max. 1000 hodinách používání.

- Odpojte opasek od přívodu vzduchu, odpojte všechny spojovací hadice a odstraňte všechny tři upevňovací šrouby.
- Nakoňte se dopředu, odstraňte regulační blok a obraťte opasek tak, abyste mohli vysunout uhlíkový filtr.
- Na horní a spodní část náhradního filtru nasadte těsnící kroužky.
- Zasuňte filtr do pouzdra a znovu upevněte černý kolík na regulačním bloku do drážky ve spodní polovině opaskového pouzdra.
- Znovu nasadte šrouby a připojte opasek k přívodu vzduchu.
- Zkontrolujte, že nikde nedochází k úniku vzduchu.



Při nasazování náhradních dílů používejte pouze díly Honeywell, čímž zachováte optimální úroveň ochrany.

ČIŠTĚNÍ A DEZINFEKCE PO KAŽDÉM POUŽITÍ

- Odstraňte prach a špínu z přístroje pomocí vlhkého hadříku namočeného do jemné dezinfekce nebo mýdlové vody.
- Přístroj neponožujte.
- Nepoužívejte rozpouštědlo ani neředěné mycí prostředky, které by mohly přístroj poškodit.
- Nepoužívejte abrazivní čisticí prostředky, které by mohly poškodit povrch přístroje nebo poškrábat hledí.
- Nechte přístroj zcela uschnout v dobře větrané místnosti a zabraňte vystavení přímému slunečnímu svitu a zdrojům vysoké teploty nebo sálavého tepla.
- Po očištění a dezinfekci přístroj vložte do úložného sáčku (28).



- Stlačený vzduch dodávaný do zařízení řady Airvisor 2 musí být dýchacelné kvality v souladu s normou EN 12021.
- Ujistěte se, že vlhkost dýchaného vzduchu odpovídá limitům definovaným v normě EN 12021. Předejdete tak tomu, že při nízkých teplotách přístroj kvůli vzduchu zamrzne.
- Je obzvláště důležité zajistit, aby přístroj nebyl připojen k jiným vzduchovým systémům na pracovišti, které dodávají jiné plyny než vzduch dýchacelné kvality.
- Přístroj by neměl být připojen ke zdroji kyslíku nebo oksyličeného vzduchu.
- Je-li k systému přívodu vzduchu připojen více než jeden uživatel, zajistěte, aby měl systém dostatečnou kapacitu pro zajištění přívodu vzduchu pro každého uživatele.
- Použití vzduchové hadice Honeywell BlueLine (u standardních modelů Airvisor 2) nebo zelené hadice (u Airvisor 2 DAC) a vysokopřítokové spojky je nezbytné pro udělení povolení. Nepoužívejte žádný jiný typ hadice a neupůsobujte předepsané hadice pro použití s vaším přístrojem.
- Maximální délka přívodové hadice pro zařízení třídy A je 10 metrů, přičemž musí zahrnovat pouze jedinou hadici. Kratší hadice by neměly být spojovány za účelem dosažení maximální délky.
- Maximální (nominální) pracovní tlak u hadic pro přívod stlačeného vzduchu od společnosti Honeywell je 10 bar.
- Nehodí se pro použití v místech s okolní teplotou vyšší než 35 °C. Nenechávejte zařízení ve stříkací kabině, pokud tato přepne do sušícího režimu.
- Nepoužívejte v případech, kdy by uživatel bez ochrany mohl utrpět nevratnou újmu, ani v prostředí bez dostatečného množství kyslíku.
- Při velmi vysokém pracovním tempu může tlak uvnitř masky nabýt záporných hodnot ve chvíli, kdy se uživatel nejvíce nadechuje.
- V kontaminovaných zónách se ujistěte, že máte masku staženu do obličeje, a okamžitě opusťte nebezpečnou oblast, pokud máte podezření na závadu nebo se spustí varovná píšťalka.
- Ochrana proti roztavenému kovu je zajištěna, pouze použijete-li jednorázové chrániče masky.
- V případě potřeby označení F1 značí, že přístroj a hadice pro přívod stlačeného vzduchu mohou být použity v podmínkách, kdy hrozí vzplanutí.
- Přístroj nemusí poskytovat adekvátní ochranu v určitých typech vysoce toxické atmosféry. Uživatel zodpovídá za kontrolu toho, že je přístroj vhodný pro plánovanou práci a pro samotného uživatele. Více informací viz platná právní úprava.

Minimální tlak na vstupu hadice pro přívod stlačeného vzduchu:

Vnitřní průměr hadice (mm)	Délka hadice (m)	Tlak v barech (psi)	
		DAVK-0001E DMAK-0021E	DAVK-0003E, 0004E DMAK-0023E, 0024E DAWK-4001E, 4011E
8	3,5	5,3 bar (77 psi)	4,5 bar (61 psi)
	7,5		4,6 bar (63 psi)
	10	5,4 bar (79 psi) 5,5 bar (80 psi)	4,7 bar (64 psi)



- Maximální délka hadice 10 metrů.
- Pokud se u modelů DAVK-0001E a DMAK-0021E spustí varovná píšťalka kdykoli během používání přidavného zařízení nebo stříkací pistole, zvyšujte vstupní tlak, dokud píšťalka neutichne. To zajistí, že do masky proudí dostatečné množství vzduchu a vaše bezpečí je zachováno.

TECHNICKÉ ÚDAJE

Certifikace	Certifikováno CE (CE 0194)
Norma	EN 14594:2005 (Třída A pro malý výkon)
Prvky nominální ochrany	Třída 3 = 200 modely DAWK Třída 4 = 2,000 u modelů DAVK & DMAK
Hledí: odolné proti chemikáliím názrazuvzdorné	EN 166.2.F EN 166.2.B.9
Minimální průtok Maximální průtok	260 l/min 290 l/min
Provozní tlak	4,5 bar (61 psi) až 7,0 bar (102 psi)
Maximální provozní teplota	35°C
Uhlíkový filtr	Vyměnit po 1000 hodinách nebo pokud je uvnitř masky cítit zápach

OCHRANNÉ PRVKY

Předeepsaný ochranný faktor (APF) 40 znamená, že dýchací přístroj může být použit v oblastech s kontaminací převyšující 40-násobek limitu povolené expozice na pracovišti.

V jiných zeměpisných oblastech se řiďte národními nebo regionálními předpisy či pokyny, které upravují hodnotu ochranného prvku, který smíte používat v případě, že zvolíte ochranu pomocí dýchacího přístroje.

SYSTÉMY DÝCHACÍCH PŘÍSTROJŮ AIRVISOR

Článek č.	Číslo dílu	Popis
1013932	DAVK-0001E	Airvisor 2 sada pro stříkání barvy
1013934	DAVK-0003E	Airvisor 2 chemická sada
1013935	DAVK-0004E	Airvisor 2 průmyslová sada
1013938	DMAK-0021E	Airvisor 2 MV sada pro stříkání barvy
1013939	DMAK-0023E	Airvisor 2 MV chemická sada
1013980	DMAK-0024E	Airvisor 2 MV průmyslová sada
1013983	DAWK-4001E	Svařovací sada Airvisor 2 řady FV
1013987	DAWK-4011E	Svařovací sada Airvisor 2 řady W
1765058	DAVK-0001E-DAC	Airvisor 2 sada pro stříkání barvy s dvojitým konektorem
1765059	DAVK-0003E-DAC	Airvisor 2 chemická sada s dvojitým konektorem
1765060	DAVK-0004E-DAC	Airvisor 2 průmyslová sada s dvojitým konektorem
1765061	DMAK-0021E-DAC	Airvisor 2 MV sada pro stříkání barvy s dvojitým konektorem
1765062	DMAK-0023E-DAC	Airvisor 2 MV chemická sada s dvojitým konektorem
1765063	DMAK-0024E-DAC	Airvisor 2 MV průmyslová sada s dvojitým konektorem
1765064	DAWK-4001E-DAC	Svařovací sada Airvisor 2 řady FV s dvojitým konektorem
1765065	DAWK-4011E-DAC	Svařovací sada Airvisor 2 řady W s dvojitým konektorem

Náhradní masky (celé):

1013936	DAVK-0051E	Pro použití s modelem DAVK-0001/03E
1013937	DAVK-0052E	Pro použití s modelem DAVK-0004E
1013981	DMAK-0071E	Pro použití s modelem DMAK-0021/23E
1013982	DMAK-0072E	Pro použití s modelem DMAK-0024E
1013986	DAWS-4101E	Pro používání s DAWK-4001E
1013988	DAWS-4201E	Pro používání s DAWK-4011E

Náhradní opasky (celé):

1013989	DAVW-1001E	Pro použití s modely DAVK-001E a DMAK-0021E
1013990	DAVW-1003E	Pro používání s DAVK-0003/04E a DMAK-0023/24E a DAWK-4001/11E
1765066	DAVW-1001E-DAC	Pro používání s DAVK-0001E-DAC a DMAK-0021E-DAC
1765067	DAVW-1003E-DAC	For use with DAVK-0003/04E-DAC and DMAK-0023/24E-DAC a DAWK-4001/11E-DAC

Náhradní díly a příslušenství (dle náčrtu):

Číslo	Článek č.	Popis
1	1028821	Čelní díl a členka pro modely Airvisor 2 DAVK
2	1028822	Čelní díl a členka pro modely Airvisor 2 MV DMAK
3	1028823	Sestava členky pro svařovací sadu Airvisor 2 řady FV
4	1028824	Čelní kryt a členka pro svařovací sadu Airvisor 2 řady W
5	1028825	Hadice přívodu vzduchu a difúzér pro všechny modely Airvisor 2
6	1028826	Acetátové hledí (chemicky odolné) pro použití s modelem DAVK-0001/03E
6	1028827	Polykarbonátové hledí (nárazuvzdorné) pro použití s modelem DAVK-0004E
7	1001775	Acetátové hledí (chemicky odolné) pro použití s modelem DMAK-0021/23E (baleno po 5)
7	1001774	Polykarbonátové hledí (nárazuvzdorná) pro použití s modelem DMAK-0024E (baleno po 5)
	1028870	Těsnící pásky hledí pro použití s díly 7 (baleno po 10)
8	1028828	Polykarbonátový vnitřní průhled (s odolností vůči nárazům) pro používání s DAWK-4001E
9	1001732	Jednorázové kryty hledí pro použití se všemi modely DAVK (baleno po 10)
9	1001731	Jednorázové kryty hledí pro použití se všemi modely DAVK (baleno po 50)
10	1001778	Jednorázové kryty hledí pro použití se všemi modely DMAK (baleno po 10)
10	1001779	Jednorázové kryty hledí pro použití se všemi modely DMAK (baleno po 50)
11	1001749	Jednorázové kryty průhledu pro používání s DAWK-4001E (sada 10 ks)
12	1013994	Kazeta látkového těsnění pro modely DMAK (baleno po 5)
13	1001748	Sestava tkaninového čelního těsnění pro DAWK-4001E
14	1013994	Kazeta tkaninového čelního těsnění DAWK-4011E (sada 5 ks)
15	1001750	Svařovací plášť pro DAWK-4001E
16	1005103	Svařovací plášť pro DAWK-4011E
17	1001725	Malá vysokopřítoková spojka s rychlým odpojením
18	1028829	Regulační blok Airvisor 2 pro všechny modely bez DAC
18	1765068	Regulační blok Airvisor 2 pro všechny modely s DAC
19	1001672	Uhlíkový filtr pro všechny modely
20	1001674	Opaskové pouzdro a látkový pás
21	1028830	Airvisor 2 (bez DAC) speciální vysokopřítoková přípojka s rychlým odpojením
21	1765069	Airvisor 2 (a DAC) speciální dvojitá vysokopřítoková přípojka s rychlým odpojením
22	1028831	Airvisor 2 vysokopřítoková spojka s rychlým odpojením
23	1001726	Hadice pro přívod vzduchu BlueLine 3,5m (pro Airvisor 2 bez DAC)
23	1001727	Hadice pro přívod vzduchu BlueLine 7,5m (pro Airvisor 2 bez DAC)
23	1004716	Hadice pro přívod vzduchu BlueLine 10m (pro Airvisor 2 bez DAC)
23	1765070	Zelená hadice pro přívod vzduchu 3,5m (pro Airvisor 2 DAC)
23	1765071	Zelená hadice pro přívod vzduchu 7,5m (pro Airvisor 2 DAC)
23	1765072	Zelená hadice pro přívod vzduchu 10m (pro Airvisor 2 DAC)
24	1001683	Vzduchová hadice ke stříkací pistoli (1,2 m) pro použití s modely DAVK-0001E a DMAK-0021E
25	1001733	Jednorázová látková kapuce pro použití se všemi modely DAVK a DMAK (baleno po 5)
26	1001676	Jednorázová látková kapuce a pokrývka krku pro použití se všemi modely DAVK a DMAK (baleno po 5)
27	1001754	Kryt hlavy a krku se zhasíacími vlastnostmi pro používání s DAWK-4011E
28	1001738	Látkový úložný sáček pro všechny modely

GEBRAUCHSANLEITUNG FÜR ATEMSCHUTZGERÄT MIT LUFTZUFUHR BITTE FÜR SPÄTERES NACHLESEN AUFBEWAHREN



Verwenden Sie die Ausrüstung nicht, bevor Sie diese Anleitung gelesen und eine Produktschulung absolviert haben.

BETRIEBS- UND WARTUNGSANWEISUNGEN



- Druckluft, die den Geräten der Airvisor 2-Produktfamilie zugeführt wird, muss eine Atemluftqualität gemäß EN 12021 aufweisen. Honeywell empfiehlt die Verwendung von Clearflow Filtersystemen, um die Qualität der Atemluft sicherzustellen. Die Luftqualität sollte regelmäßig mit geeigneten Testgeräten geprüft werden. Bevor der Arbeitsbereich betreten werden darf, sind die nachfolgenden Anweisungen zu beachten.
- Die Airvisor 2 DAC (doppeltwirkende Kupplungen) Modelle sind mit speziellen doppeltwirkenden Anschlüssen für die Druckluftzufuhr ausgestattet, die sich von den Standardverbindungen unterscheiden und einen Zusatzschutz gegen unvorhergesehene Unterbrechungen bieten.

KONTROLLEN VOR DEM GEBRAUCH

- Prüfen Sie die Funktionsweise der Warnpfeife, um sicherzustellen, dass das Atemschutzgerät mit der korrekten Luftmenge versorgt wird (siehe unten stehende Anweisungen).
- Prüfen Sie die gesamte Ausrüstung auf Schäden, wobei ein besonderes Augenmerk auf den Schlauch, den Luftzuführungsschlauch für die Sichtscheibe und die Gesichtsabdichtung zu legen ist.
- Verwenden Sie das Atemschutzgerät nicht, wenn die Gesichtsabdichtung oder der Diffuser am Luftversorgungsschlauch beschädigt ist, da dies den Atemschutz beeinträchtigt.
- Prüfen Sie, ob die Sichtscheibenabdeckungen eine gute Sichtbarkeit gewährleisten.

ANLEGEN DER AUSTRÜSTUNG

- Legen Sie das Gürtelgerät um die Hüfte und stellen Sie den Gürtel auf eine bequeme Passform ein. Bei Bedarf setzen Sie die Textilhaube (25) und anschließend das Sichtschutzsystem auf.
- Lassen Sie die Sichtscheibe (6, 7, 8) aufgeklappt und ziehen Sie die Kopfriemen und das Stirnband fest an.
- Stecken Sie das Ende des Luftversorgungsschlauches der Sichtscheibe (5) in die kleine High-Flow-Schnellkupplung des Gürtelgeräts (17).
- Wählen Sie einen Luftschlauch mit angemessener Länge (23) bis zu maximal 10 Metern und schließen Sie die High-Flow-Schnellkupplung des Schlauchs an den Lufteinlass (21) am Gürtelgerät an.
- Schließen Sie das andere Ende an der gefilterten Luftzufuhr an.



Beim Einsatz von Airvisor 2 DAC-Modellen ist der grüne Luftzuführungsschlauch zu verwenden. Verwenden Sie die blauen Schläuche für die Airvisor 2-Standardmodelle.

Schließen Sie bei Bedarf das mit Druckluft betriebene Werkzeug (24) an den Luftauslass (22) am Gürtelgerät an.

Schalten Sie die Luftzufuhr ein und regeln Sie den Luftdruck am Einlass des Gürtelgeräts auf 4,5 bar (61 psi) bis 7 bar (102 psi) (siehe Zuluftdruck-Tabelle unten). Stellen Sie sicher, dass es keine Luftverluste gibt. ertönt die Warnpfeife, erhöhen Sie den Eingangsdruck, bis die Warnpfeife verstummt. Falls die Warnpfeife bei der Druckerhöhung nicht verstummt, sperren Sie die Luftzufuhr ab und beginnen Sie nach erneuter Anpassung des Luftdrucks von vorn.

Bitte beachten Sie, dass die Airvisor 2- und Airvisor 2 MV-Sets, wenn diese in Verbindung mit einem zusätzlichen druckluftbetriebenen Werkzeug oder einer Spritzpistole verwendet werden, einen höheren Eingangsdruck benötigen (weshalb eine zusätzliche Kontrolle durchgeführt werden muss). Bei dieser Arbeitsweise muss das Werkzeug bedient werden, bevor das Atemschutzgerät getragen wird. Wird bei diesen Bedingungen die Warnpfeife ausgelöst, ist der Eingangsdruck zu erhöhen, bis die Pfeife wieder verstummt. Dadurch wird sichergestellt, dass ausreichend Luft für die Atemschutzhaube und das Zusatzwerkzeug oder die Spritzpistole vorhanden ist.

Klappen Sie die Sichtscheibe herunter und stellen Sie bei Bedarf die Kopfriemen und das Stirnband ein, damit die Gesichtsabdichtung optimal am Gesicht anliegt. Prüfen Sie, ob sichtbare Luftspalten zwischen der Haut und der Gesichtsabdichtung vorhanden sind. Falls es Luftspalten gibt, stellen Sie das Gerät neu ein, bis diese geschlossen sind. Nun dürfen Sie den kontaminierten Arbeitsbereich betreten. Bitte beachten: ertönt die Warnpfeife bei normalen Arbeitsbedingungen, bedeutet dies, dass nicht genügend Luft in die Gesichtshaube des Atemschutzgeräts fließt – verlassen Sie umgehend den kontaminierten Bereich, dann nehmen Sie den Schutzschild ab und erhöhen Sie den Eingangsdruck, bis ein geeignetes Niveau erreicht wird.

Auswechseln des Luftzuführungsschlauchs und des Diffusers (alle Modelle):

- Bei Verschleißspuren oder Beschädigungen ist der Luftzuführungsschlauch (5) auszuwechseln, um Luftverluste zu vermeiden.
- Lösen Sie den Schlauch von seinen Befestigungspunkten (aus der Kerbe an der Rückseite des Kopfteils und den zwei transparenten Haltestiften) und ziehen Sie den Diffuser nach Entfernen der Kappe aus seiner zentral angebrachten, gebogenen Halterung.
- Installieren Sie den neuen Diffuser, indem Sie den Diffuser aus Schaumstoff vorsichtig in seine gebogene Halterung einführen und die Kappe wieder aufsetzen.
- Befestigen Sie den Luftzuführungsschlauch an der Gesichtshaube/am Rahmen mit den beiden Haltestiften, wobei darauf zu achten ist, dass der Schlauch in der Kerbe am Kopfteil einrastet.

Auswechseln der Einweg-Sichtscheibenabdeckungen (alle Modelle):

- Fixieren Sie die Sichtscheibenabdeckung (9/10/11) an den Metallstiften, die auf beiden Seiten der Sichtscheibe angebracht sind.

Auswechseln der Sichtscheibe (DAVK-000*E & DAWK-4001E Modelle):

- Entfernen Sie den Luftzuführungsschlauch (5) der Sichtscheibe aus dem Schirm.
- Halten Sie den Schirm und drücken Sie die Oberseite der Sichtscheibe (6) mit Daumen und Zeigefinger fest von außen nach innen.
- Haken Sie die Sichtscheibe aus den blauen Stiften an beiden Seiten des Schirms aus.
- Soll der Luftzuführungsschlauch wiederverwendet werden, entfernen Sie den Schlauch, indem Sie die beiden durchsichtigen Haltestifte vorsichtig herausziehen. Anderenfalls entsorgen Sie sowohl die Sichtscheibe als auch den Schlauch.
- Zum Wiederausammenbau führen Sie die Schnellkupplung des Luftschlauchs durch das Loch im Schaumstoff der Sichtscheibe.
- Befestigen Sie den Luftzuführungsschlauch mit den zwei durchsichtigen Haltestiften an der zentral angebrachten, gebogenen Halterung an der Sichtscheibe.
- Stecken Sie die blauen Schirmstifte in die zwei Löcher im oberen Teil der Sichtscheibe und drücken Sie sie fest zusammen. Drehen Sie die Sichtscheibe in Richtung Schirm und lassen Sie sie einrasten.

Auswechseln der Gesichtsabdichtung (DMAK-002*E & DAWK-4011E Modelle):

- Nehmen Sie den Airvisor mit der unteren Seite nach oben in den Arm und halten Sie den Rahmen fest.
- Halten Sie mit der anderen Hand das Unterteil der Gesichtsabdichtung fest und ziehen Sie mit einem schnellen Ruck daran.
- Richten Sie die Ersatzdichtung (12, 14) unter der Sichtscheibe aus.
- Klemmen Sie die Dichtung in den Sichtscheibenrahmen. Beginnen Sie dazu an einem Ende und arbeiten Sie sich rund herum. Stellen Sie sicher, dass die losen Enden der Gewebegurte innen am Stirnband verlaufen, dann fallen Sie diese nach außen um das Stirnband und befestigen Sie sie mit den Druckknöpfen - im Zweifelsfall eine nicht auseinandergebaute Haube als Beispiel heranziehen.
- Die Dichtung ist auszuwechseln, wenn Beschädigungen, Staub- oder Schmutzablagerungen erkennbar sind.

Auswechseln der Sichtscheibe (DMAK-002*E & DAWK-4011E Modelle):

Prüfen Sie die Schaumstoffdichtungstreifen auf Beschädigungen und wechseln Sie diese bei Bedarf aus.

- Entfernen Sie die Sichtscheibe, indem Sie sie von innen nach außen drücken.
- Fixieren Sie die neue Sichtscheibe in der seitlichen Kerbe des Scheibenrahmens und vergewissern Sie sich, dass der obere Teil richtig in die Schirmnut eingeführt wurde.
- Führen Sie die Sichtscheibe (7) in den runden Scheibenrahmen ein und rasten Sie anschließend die Sichtscheibe in die unteren Kerben des Kinnschutzes ein.

Auswechseln / Einsetzen des Schweiß-Filters (nur bei Schweiß-Sets)

DAWK-4001E:

- Spannschrauben der Sichtscheibe am Innenteil der Helmschale abschrauben.
- Abdeckbleche und Filter entfernen.
- Bei Bedarf Filter auswechseln.
- Klemme und Schrauben auswechseln.

DAWK-4011E:

Bei einem Schweiß-Set der W-Serie erfolgt der Zugang zum Befestigungssystem der Scheiben über die Außenseite der Helmschale, nachdem die hellblaue Außenabdeckung entfernt wurde. Die Baugruppen der getönten Scheiben werden von einem flexiblen Clip-System gehalten.

Auswechseln der Kohlepatrone:



Die Kohlepatrone (19) ist auszuwechseln, wenn ein Geruch wahrgenommen wird bzw. nach (maximal) 1.000 Betriebsstunden.

- Trennen Sie den Leibgurt von der Luftzufuhr, entfernen Sie alle Anschlusschläuche sowie die drei Befestigungsschrauben.
- Entfernen Sie die Reglereinheit, indem Sie sie nach vorn kippen und drehen Sie den Leibgurt um, um die Kohlepatrone zu entfernen.
- Befestigen Sie oben und unten an der Ersatzpatrone Dichtungsringe.
- Schieben Sie sie in das Gehäuse und rasten Sie die schwarzen Öse an der Reglereinheit in der Aussparung an der unteren Hälfte des Gurtgehäuses ein.
- Befestigen Sie die Schrauben und schließen Sie die Luftzufuhr an.
- Prüfen Sie das Gerät auf Luftverluste.



Um eine optimale Sicherheit zu garantieren sind beim Einbau von Ersatzteilen nur Honeywell-Ersatzteile zu verwenden.

REINIGEN UND DESINFIZIEREN NACH JEDER ANWENDUNG

- Verschmutzungen und Staubablagerungen am Gerät sind mit einem feuchten Tuch und einem milden Desinfektionsmittel oder einer Seifenlösung zu entfernen.
- Tauchen Sie das Gerät nicht in eine Flüssigkeit ein.
- Verwenden Sie weder Lösungsmittel noch unverdünnte Reinigungsmittel, die das Gerät beschädigen können.
- Verwenden Sie keine abrasiven Reinigungsprodukte, die die Oberfläche des Geräts beschädigen oder die Sichtscheibe zerkratzen können.
- Lassen Sie das Gerät an einem gut belüfteten Ort trocknen, an dem es keiner direkten Sonneneinstrahlung, hohen Temperaturen oder Wärmestrahlung ausgesetzt ist.
- Lagern Sie das Gerät nach der Reinigung und Desinfektion in einer Aufbewahrungstasche (28).



- Druckluft, die den Geräten der Airvisor 2-Produktfamilie zugeleitet wird, muss eine Atemluftqualität gemäß EN 12021 aufweisen.
- Stellen Sie sicher, dass der Feuchtigkeitsgehalt der Atemluft nicht die in der Norm EN 12021 festgelegten Grenzwerte überschreitet, um zu verhindern, dass die Luft bei niedrigen Temperaturen im Gerät gefriert.
- Es ist insbesondere darauf zu achten, dass das Gerät im Arbeitsbereich nicht an andere Luftquellen angeschlossen wird, die keine Atemluftqualität aufweisen.
- Das Gerät darf nicht an eine Versorgungsquelle mit reinem Sauerstoff oder mit sauerstoffreicher Luft angeschlossen werden.
- Sind mehr als ein Träger an das Luftversorgungssystem angeschlossen, ist sicherzustellen, dass das System ausreichend Luft für jeden Benutzer bereitstellen kann.
- Die Verwendung des Honeywell Blueline-Luftschlauchs (Standard Airvisor 2) oder des Greenline-Schlauchs (Airvisor 2 DAC) mit High-Flow-Kupplungen ist integraler Bestandteil der Gerätezulassung. Verwenden Sie keine andere Schlauchtypen und verwenden Sie die Schläuche, die für Ihr Gerät bestimmt sind, nicht für andere Verwendungen.
- Die Höchstlänge des Luftzuführungsschlauchs für Geräte der Klasse A beträgt 10 Meter und darf nur einen Schlauch umfassen. Es dürfen keine kürzeren Schläuche zusammengefügt werden, um die Höchstlänge zu erreichen.
- Der maximale (nominale) Betriebsdruck für Honeywell Druckluftzuführungsschläuche beträgt 10 bar.
- Die Ausrüstung ist nicht für einen Einsatz in Bereichen mit einer Umgebungstemperatur von über 35°C geeignet. Es ist darauf zu achten, dass die Ausrüstung nicht in der Lackierkabine bleibt, wenn darin die Trocknerfunktion eingeschaltet wird.
- Das Gerät darf nicht unter Einsatzbedingungen verwendet werden, in denen der Träger ungeschützt unwiderrufliche Schäden erleiden würde bzw. in sauerstoffarmen Umgebungen.
- Bei sehr hohen Arbeitsgeschwindigkeiten kann im Kopfteil bei starkem Einatmen ein Unterdruck entstehen.
- Im kontaminierten Bereich ist sicherzustellen, dass die Sichtscheibe in abgesenkter Position festgestellt ist. Der Gefahrenbereich ist sofort zu verlassen, wenn eine Funktionsstörung vermutet wird oder die Warnpeife ertönt.
- Ein Schutz gegen geschmolzenes Metall ist nur dann gegeben, wenn Einweg-Sichtscheibenabdeckungen verwendet werden.
- Die Kennzeichnung „F“ zeigt an, dass das Gerät und der Druckluftzuführungsschlauch in Situationen eingesetzt werden kann, in denen Entflammbarkeit eine Gefahr darstellen kann.
- Das Gerät stellt möglicherweise keinen ausreichenden Schutz in hochgiftigen Bereichen dar. Es liegt in der Verantwortung des Gerätenuutzers, dafür zu sorgen, dass das Gerät für die auszuführende Arbeit und für den individuellen Träger geeignet ist. Bitte beachten Sie hierzu die entsprechenden Rechtsvorschriften Ihres Landes.

Mindestzulufldrücke am Einlass des Druckluftzuführungsschlauch:

		Zulufldruck in bar (psi)	
Innendurchmesser des Schlauchs (mm)	Schlauchlänge (m)	DAVK-0001E DMAK-0021E	DAVK-0003E, 0004E DMAK-0023E, 0024E DAWK-4001E, 4011E
8	3,5	5,3 bar (77 psi)	4,5 bar (61 psi)
	7,5		4,6 bar (63 psi)
	10	5,4 bar (79 psi)	4,7 bar (64 psi)
		5,5 bar (80 psi)	



- Maximale Länge des Luftzuführungsschlauchs 10 Meter.
- Bei den Modellen DAVK-0001E und DMAK-0021E: Ertönt beim Betrieb des Zusatzwerkzeuges oder der Spritzpistole zu irgendeinem Zeitpunkt die Warnpeife, ist der Eingangsdruck zu erhöhen, bis die Warnpeife verstummt. Dadurch wird sichergestellt, dass ausreichend Luft in das Kopfteil strömt und Ihre Sicherheit aufrecht erhalten wird.

TECHNISCHE INFORMATIONEN

Zertifizierung / Zulassung	CE-Zulassung (CE 0194)
Standard / Einhaltung	EN 14594:2005 (Geringe Anforderungen Klasse A)
Nominale Schutzfaktoren	Klasse 3 = 200 DAVK Modelle Klasse 4 = 2.000 DAVK & DMAK Modelle
Visier: Chemiebeständig Schlagfest	EN 166.2.F EN 166.2.B.9
Vorgesehener Mindestdurchsatz des Herstellers Höchstdurchsatz	260 l/min 290 l/min
Betriebsdruck	4,5 bar (61 psi) bis 7,0 bar (102 psi)
Maximale Betriebstemperatur	35°C
Kohlepatrone	Ersetzen nach 1.000 Stunden, oder Falls im Inneren des Kopfteils ein Geruch bemerkt wird

SCHUTZFAKTOREN

Ein zugewiesener Schutzfaktor (APF) von 40 bedeutet, dass das Atemschutzgerät in kontaminierten Bereichen von bis zu 40 X der maximalen Arbeitsplatz-Konzentration verwendet werden darf.

In anderen geografischen Regionen beachten Sie bei der Wahl einer Atemschutzausrüstung bitte die nationalen oder regionalen Vorschriften und Richtlinien zum Wert der Schutzfaktoren.

AIRVISOR-ATEMSCHUTZSYSTEME

Art.-Nr.	Teil-Nr.	Beschreibung
1013932	DAVK-0001E	Airvisor 2 Farbsprüh-Set
1013934	DAVK-0003E	Airvisor 2 Chemie-Set
1013935	DAVK-0004E	Airvisor 2 Industrie-Set
1013938	DMAK-0021E	Airvisor 2 MV Farbsprüh-Set
1013939	DMAK-0023E	Airvisor 2 MV Chemie-Set
1013980	DMAK-0024E	Airvisor 2 MV Industrie-Set
1013983	DAWK-4001E	Airvisor 2 FV-Serie Schweiß-Set
1013987	DAWK-4011E	Airvisor 2 W- Serie Schweiß-Set
1765058	DAVK-0001E-DAC	Airvisor 2 Farbsprüh-Set doppelwirkender Anschluss
1765059	DAVK-0003E-DAC	Airvisor 2 Chemie-Set doppelwirkender Anschluss
1765060	DAVK-0004E-DAC	Airvisor 2 Industrie-Set doppelwirkender Anschluss
1765061	DMAK-0021E-DAC	Airvisor 2 MV Farbsprüh-Set doppelwirkender Anschluss
1765062	DMAK-0023E-DAC	Airvisor 2 MV Chemie-Set doppelwirkender Anschluss
1765063	DMAK-0024E-DAC	Airvisor 2 MV Industrie-Set doppelwirkender Anschluss
1765064	DAWK-4001E-DAC	Airvisor 2 FV- Serie Schweiß-Set doppelwirkender Anschluss
1765065	DAWK-4011E-DAC	Airvisor 2 W- Serie Schweiß-Set doppelwirkender Anschluss

Ersatz-Kopfteile (Kompletzset):

1013936	DAVK-0051E	Für den Einsatz mit DAVK-0001/03E
1013937	DAVK-0052E	Für den Einsatz mit DAVK-0004E
1013981	DMAK-0071E	Für den Einsatz mit DMAK-0021/23E
1013982	DMAK-0072E	Für den Einsatz mit DMAK-0024E
1013986	DAWS-4101E	Für den Einsatz mit DAWK-4001E
1013988	DAWS-4201E	Für den Einsatz mit DAWK-4011E

Ersatz-Leibgurte (Komplettset):

1013989	DAVW-1001E	Für den Einsatz mit DAVK-0001E und DMAK-0021E
1013990	DAVW-1003E	Für den Einsatz mit DAVK-0003/04E und DMAK-0023/24E und DAWK-4001/11E
1765066	DAVW-1001E-DAC	Für den Einsatz mit DAVK-0001E-DAC und DMAK-0021E-DAC
1765067	DAVW-1003E-DAC	Für den Einsatz mit DAVK-0003/04E-DAC und DMAK-0023/24E- DAC und DAWK-4001/11E-DAC

Ersatzteile und Zubehör (siehe Produktzeichnungen):

Nr.	Art.-Nr.	Beschreibung
1	1028821	Schirm und Stirnband für Airvisor 2 DAVK Modelle
2	1028822	Schirm und Stirnband für Airvisor 2 MV DMAK Modelle
3	1028823	Stirnband-Baugruppe für Airvisor 2 FV-Serie Schweiß-Set
4	1028824	Schirm und Stirnband für Airvisor 2 W-Serie Schweiß-Set
5	1028825	Airvisor 2 Luftzuführungsschlauch und Diffusereinheit für alle Modelle
6	1028826	Azetat-Sichtscheibe (chemiebeständig) für den Einsatz mit DAVK-0001/03E
6	1028827	Polykarbonat-Sichtscheibe (schlagfest) für den Einsatz mit DAVK-0004E
7	1001775	Azetat-Sichtscheibe (chemiebeständig) für den Einsatz mit DMAK-0021/23E (5er-Pack)
7	1001774	Polykarbonat-Sichtscheibe (schlagfest) für den Einsatz mit DMAK-0024E (5er-Pack)
	1028870	Sichtscheiben-Dichtungsstreifen für den Einsatz mit Artikel 7 (10er-Pack)
8	1028828	Polykarbonat-Innenscheibe (schlagfest) für den Einsatz mit DAWK-4001E
9	1001732	Einweg-Sichtscheibenabdeckungen für den Einsatz mit allen DAVK-Modellen (10er-Pack)
9	1001731	Einweg-Sichtscheibenabdeckungen für den Einsatz mit allen DAVK-Modellen (50er-Pack)
10	1001778	Einweg-Sichtscheibenabdeckungen für den Einsatz mit allen DMAK-Modellen (10er-Pack)
10	1001779	Einweg-Sichtscheibenabdeckungen für den Einsatz mit allen DMAK-Modellen (50er-Pack)
11	1001749	Einweg-Sichtscheibenabdeckungen für den Einsatz mit DAWK-4001E (10er-Pack)
12	1013994	Textile Gesichtsabdichtung für DMAK-Modelle (5er-Pack)
13	1001748	Baugruppe textile Gesichtsabdichtung für DAWK-4001E
14	1013994	Textile Gesichtsabdichtung für DAWK-4011E (5er Pack)
15	1001750	Schweißer-Helmschale für DAWK-4001E
16	1005103	Schweißer-Helmschale für DAWK-4011E
17	1001725	Mini-High-Flow-Schnellkupplung
18	1028829	Airvisor 2 Reglereinheit für alle nicht DAC-Modelle
18	1765068	Airvisor 2 Reglereinheit für alle DAC-Modelle
19	1001672	Kohlepatrone für alle Modelle
20	1001674	Leibgurt-Gehäuse und Gewebegurt
21	1028830	Airvisor 2 (nicht DAC) Spezial-High-Flow-Schnellstecker
21	1765069	Airvisor 2 (DAC) Spezial-High-Flow-Schnellstecker Zweihand
22	1028831	Airvisor 2 High-Flow-Schnellkupplung
23	1001726	Blueline Luftzuführungsschlauch 3,5m (für nicht DAC Airvisor 2)
23	1001727	Blueline Luftzuführungsschlauch 7,5m (für nicht DAC Airvisor 2)
23	1004716	Blueline Luftzuführungsschlauch 10m (für nicht DAC Airvisor 2)
23	1765070	Grüner Luftzuführungsschlauch 3,5m (für DAC Airvisor 2)
23	1765071	Grüner Luftzuführungsschlauch 7,5m (für DAC Airvisor 2)
23	1765072	Grüner Luftzuführungsschlauch 10m (für DAC Airvisor 2)
24	1001683	Luftschlauch für Spritzpistole (1,2m) für den Einsatz mit DAVK-0001E und DMAK-0021E
25	1001733	Einweg-Textilhaube für den Einsatz mit allen DAVK- & DMAK-Modellen (5er-Pack)
26	1001676	Einweg-Kopf- und Nackenschutz aus Stoff für den Einsatz mit allen DAVK- & DMAK-Modellen (5er-Pack)
27	1001754	Flammenhemmender Kopf- und Nackenschutz für den Einsatz mit DAWK-4011E
28	1001738	Aufbewahrungstasche aus Stoff für alle Modelle

BRUGERVEJLEDNING TIL LUFTFORSYNET RESPIRATOR BEHOLD TIL FREMTIDIG REFERENCEBRUG



Brug ikke udstyr, før du har læst denne vejledning og fået oplæring i produktet.

BRUGS- OG VEDLIGEHOLDELSESINSTRUKTIONER



- Den trykluft, som forsynes til Airvisor 2-produktserien, skal være af åndbar kvalitet i overensstemmelse med EN 12021. Honeywell anbefaler brugen af Clearflow-filtersystemer for at sikre overholdelse. Luftkvalitet bør kontrolleres periodisk vha. egnet testudstyr. Overhold flg. instruktioner, før du træder ind på arbejdsområdet.
- Airvisor 2 DAC (dobbeltvirkende koblings)-modeller har særlige dobbeltvirkende konnektorer til forsyning med trykluft, hvilket giver et specifikt forbindelsesformat og ekstrabeskyttelse mod uventede frakoblinger.

KONTROL FØR BRUG

- Kontroller drift af advarselssløjte for at sikre, at den korrekte luftmængde bliver forsynet til respiratoren (se nedenstående instruktioner).
- Kontroller alt udstyr for skader, og vær særligt opmærksom på slangen, forsyningsslangen til visiret og ansigtsskørtet.
- Brug ikke respiratoren, hvis ansigtsskørtet eller sprederen på luftforsyningsslangen er beskadigede, da dette påvirker beskyttelsen.
- Sørg for, at dækkener til visirer giver god sigt.

SÅDAN TAGES UDS TYRET PÅ

- Spænd livremmen rundt om livet, og justér, så den sidder behageligt. Om nødvendigt tages stofhætten (25) på efterfulgt af visirmonteringen.
- Hold visir (6, 7, 8) op, og justér hovedremmen og hovedbåndet, så det sidder tæt.
- Sæt enden af luftforsyningsslangen til visiret (5) i mini-stikket med hurtig udløsning af høj gennemstrømning (High Flow) (17).
- Vælg passende luftslangelængde (23) op til maksimalt 10 meter, og tilslut High Flow QR-stikket på slangen til luftindtaget (21) på livremmonteringen.
- Forbind den anden ende til den filtrerede luftforsyning.



Brug den grønne luftforsyningssslange, når Airvisor 2 DAC-modeller tages i brug. Brug blå slanger til standard Airvisor 2-modeller.

Om nødvendigt kobl luftdrevet værktøj (24) til luftindtag (22) på livremmonteringen.

Tænd for luftforsyningen, og justér tryk til mellem 4,5 bar (61 psi) og 7 bar (102 psi) ved livremmens indtag (se nedenstående forsyningsstrykkeskema). Sørg for, der ikke er nogen luftutætheder. Hvis advarselssløjten lyder, øges tilførselstrykket, indtil den stopper. Hvis fløjten ikke stopper, når trykket øges, lukkes luftforsyningen, og der startes igen, efter trykket er justeret.

Læg mærke til, at Airvisor 2- og Airvisor 2 MV-sæt, der bruges sammen med et luftdrevet hjælpeværktøj, eller sprøjtepistol, kræver højere tilførseltryk (derfor skal ekstra kontrol udføres). Hvis der arbejdes på denne måde, skal værktøjet ibrugtages inden respiratoren tages på - hvis advarselssløjten lyder under disse forhold, skal tilførselstrykket øges, indtil den stopper. Dette sikrer, at der er tilstrækkelig luft til både respiratorvisiret og hjælpeværktøjet eller sprøjtepistolen.

Tag visiret ned, foretag de nødvendige justeringer til hovedbåndet for at sikre optimal pasform for ansigtsskørtet rundt om ansigtet. Kontroller for synlige åbninger mellem huden og ansigtsskørtet. Hvis der er åbninger, justeres apparatet, indtil de er lukkede. Du er nu klar til at gå ind i det forurenede område. Bemærk: Hvis en advarselssløjte lyder under normale arbejdsforhold, anviser dette, at der ikke strømmer nok luft til respiratorvisiret - forlad det forurenede område øjeblikkeligt, og fjern derefter visiret - øg tilførselstrykket til et passende niveau.

Udskiftning af luftforsyningssslange og spredermontering (alle modeller):

- Hvis luftslangen (5) er slidt eller beskadiget, skal den udskiftes for at undgå utætheder.
- Tag slangen ud af dens monteringspunkter (indpasset i hak bagpå og monteret på to klare klemmer), og fjern sprederen fra dens centralmonterede, kurvede holder efter dækslet er fjernet.
- Montér den nye samling ved forsigtigt at skubbe skumsprederen ind i den kurvede holder og klikke dækslet tilbage på plads.
- Sæt luftforsyningsslangen fast til visiret/rammen igen vha. de to klemmer, og sørg for, at slangen passer ind i hakket i hovedstykket.

Udskiftning af engangsdækkener til visir (alle modeller):

- Placer visirdækkenet (9/10/2011) over metalstifterne på begge sider af visiret.

Udskiftning af visiret (DAVK-000*E DAVK-000*E og DAWK-4001E modeller):

- Klik luftforsyningsslangen til visiret (5) fra pandeværnet.
- Hold pandeværnet, tryk toppen af visiret (6) hårdt ned udefra og indad vha. tommel- og pegefingeren.
- Lås visirets nøglehulsåbninger op fra pandeværnets klemmer på begge sider.
- Hvis visirets luftforsyningssslange skal genanvendes, klikkes røret ud af visirets inderside ved forsigtigt at trække de to klare klemmer ud, ellers smid både visir og rør ud.
- For at montere igen føres luftrør QR-konnektorer opad gennem hullet i visirskummet.
- Tilpas luftforsyningsrøret til visiret med de to klare klemmer og den centralmonterede, kurvede holder.
- Sæt de blå pandeværnsklemmer ind i nøglehulsåbningerne igen i toppen af visiret, drej mod pandeværnet og klik i position.

Udskiftning af ansigtsskørtkassette (DMAK-002*E og DAWK-401E modeller):

- Vug den omvendte Airvisor på armen, og hold den formede ramme.
- Med den frie hånd holdes bunden af ansigtsskørtkassetten, og træk derefter fra visiret med en hurtig bevægelse.
- Før udskiftningskassette (12, 14) på linje under visiret.
- Begynd i en ende og arbejd dig rundt om rammen, klik kassetten på visirrammen. For stofdelene, sikre dig at de frie ender passer indeni hovedbåndet, fold derefter ydersiden af hovedbåndet, fæst dem på hinanden vha. trykknapper - hvis du er i tvivl se den eksisterende konfiguration, inden du skiller ad.
- Kassetten bør udskiftes, når der er tegn på skade eller opbygning af støv eller snavs.

Udskiftning af visiret (DMAK-002*E og DAWK-401E modeller):

- Kontroller skumforseglingsstrimlerne for skade, udskift om nødvendigt.
- Fjern visiret ved at skubbe det fra side til side.
- Find visorsidering i åbning på visir, og sørg for, at topkanten er placeret i pandeværnets fure.
- Før visiret (7) rundt om visirets krumning og anbring dernæst de nederste ringe ind i kindværnets åbninger.

Udskiftning / Isætning af svejsefilter (kun svejsesæt)

DAWK-4001E:

- Løsn glassets klemme og skruer på skallens inderside.
- Tag dækladerne og filtret ud
- Udskift filtret, hvis det er nødvendigt
- Sæt klemme og skruer i igen.

DAWK-4011E:

Hvis det er et W-Series svejsesæt får man adgang til vinduets fastholdelsessystem fra ydersiden af svejseskallen efter at have fjernet det lyseblå dække. Monteringen med det tonede vinduesglas holdes på plads med et fleksibelt clipssystem.

Udskiftning af kulstofpatron:



Kulstofpatronen (19) bør udskiftes, hvis der registreres lugt, eller efter 1000 driftstimer (maksimalt).

- Løsn livremmen fra luftforsyningen, fjern alle forbindelsesslanger, og fjern de tre fastgørelsesskruer.
- Vip forover, og fjern regulatormonteringen, og vend livremmen om for at fjerne kulstofpatronen.
- Anbring "O"-pakninger i toppen og bunden af udskiftningspatron.
- Før ind i kabinet, og anbring den sorte hank på regulatoren i åbningen på den nederste halvdel af livremmens kabinet.
- Skram skrueerne igen og tilslut luftforsyningen igen.
- Kontroller for luftlækager.



Brug kun Honeywell-dele, når du anpasser udskiftningsdele for maksimal beskyttelse.

RENGØRING OG DESINFICERING EFTER HVER BRUG

- Fjern støv og snavs fra apparatet vha. en fugtig klud vædet med mild desinficeringsmiddel eller flydende sæbeopløsning.
- Nedsæk ikke apparatet.
- Brug ikke opløsningsmiddel eller ufortyndet vaskemiddel, som kan beskadige apparatet.
- Brug ikke rengøringsmidler med slibemiddel, som kan beskadige overfladen på apparatet eller ridse visiret.
- Lad tørre i et godt udluftet område væk fra direkte sollys og kilder til høje temperaturer eller strålevarme.
- Anbring apparatet i en opbevaringstaske (28) efter rengøring og desinficering.



- Den trykluft, som forsynes til Airvisor 2-produktserien, skal være af åndbar kvalitet i overensstemmelse med EN 12021.
- Sørg for, at fugtindholdet i indåndingsluften er indenfor de grænser, der er beskrevet i EN 12021 for at undgå luft der fryser apparatet ved lave temperaturer.
- Vær særlig omhyggelig med at sikre, at apparatet ikke bliver tilsluttet alternative luftlinjesystemer på arbejdspladsen, som forsynes gasser ud over åndbar kvalitetsluft.
- Apparatet bør ikke tilsluttes en itilkilde eller iltberiget luft.
- Hvis mere end en bruger er forbundet til luftforsyningssystemet, skal det sikres, at systemet har tilstrækkelig kapacitet til at forsyne hver bruger.
- Brugen af Honeywell Blueline luftslange (standard Airvisor 2), eller grøn slange (Airvisor 2 DAC) og High Flow-sammenkoblinger er en integreret del af godkendelsen, brug ikke andre slangetyper, eller tilpas slangerne som er specificeret til brug med dit apparat.
- Den maksimale længde for forsyningslangen for klasse A-apparater er 10 meter, som skal bestå af en ubrudt slange. Kortere slanger bør ikke samles for at opnå maks. længde.
- Det maksimale (nominelle) arbejdstryk for Honeywell trykluftsslanger er 10 bar.
- Ikke egnet til brug i områder, der har en omgivende temperatur over 35°C, sørg for ikke at efterlade udstyret i sprøjtebås, når det skal over i tørreovn.
- Må ikke bruges under omstændigheder, hvor brugeren vil lide uforberedelig legemsbeskadigelse, hvis vedkommende er ubeskyttet, heller ikke i iltfattige miljøer.
- Ved meget høje arbejdsrater kan trykket indeni hjelmen blive negativt ved højeste indåndingsgennemstrømning.
- I forurenede områder: sørg for, at visiret er låst i den sænkede position, og træk øjeblikkeligt væk fra fareområder, hvis der opstår mistanke om en fejlfunktion, eller advarselsfløjten lyder.
- Smeltet metalbeskyttelse bliver kun givet, når engansvisirdækkene bliver brugt.
- Hvor det er relevant angiver mærket "F", at apparatet og trykluftforsyningslangen kan anvendes i situationer, hvor antændelighed er en risiko.
- Apparatet giver muligvis ikke nok beskyttelse i bestemte giftige omgivelser. Det er brugerens ansvar at sikre, at apparatet er egnet til det arbejde, der skal udføres, og egnet til den individuelle bruger. Se lokale bestemmelser for retningslinjer.

Minimum forsyningstryk ved indtag for trykluftforsyningslange:

		Forsyningstryk i bar (psi)	
Indvendig rørdiameter (mm)	Slangelængde (m)	DAVK-0001E DMAK-0021E	DAVK-0003E, 0004E DMAK-0023E, 0024E DAWK-4001E, 4011E
8	3,5	5,3 bar (77 psi)	4,5 bar (61 psi)
	7,5		4,6 bar (63 psi)
	10	5,4 bar (79 psi) 5,5 bar (80 psi)	4,7 bar (64 psi)



- **Maksimal forsyningslængdelængde 10 meter.**
- For DAVK-0001E og DMAK-0021E, hvis advarselsfløjten lyder på noget tidspunkt under brugen af hjælpeværktøjet eller sprøjtepistolen, øg da input-trykket, indtil den stopper. Dette sikrer, at der er nok luft, som kommer til hjelmen, og at din sikkerhed er fastholdt.

TEKNISKE OPLYSNINGER

Certificering / Godkendelse	CE godkendt (CE 0194)
Standard / Overholdelse	EN 14594:2005 (Letvægt klasse A)
Nominelle beskyttelsesfaktorer	Klasse 3 = 200 DAVK modeller Klasse 4 = 2.000 DAVK og DMAK modeller
Visir: Kemisk resistent Stødsikker	EN 166.2.F EN 166.2.B.9
Producentens minimumudformning for gennemstrømningshastighed Maksimum gennemstrømning	260 l/min 290 l/min
Driftstryk	4,5 bar (61 psi) til 7,0 bar (102 psi)
Maksimal driftstemperatur	35°C
Kulstofpatron	Udskift efter 1000 timer, eller Hvis lugt registreres indeni hjelmen

BESKYTTELSESFAKTORER

En tildelt beskyttelsesfaktor (APF) på 40 betyder, at respiratoren kan bruges i områder med forurening på op til 40 X grænseværdien for udsættelse på arbejdspladsen.

I andre geografiske områder, se nationale eller regionale bestemmelser eller retningslinjer, som ændrer beskyttelsesværdien, som du må bruge, når du vælger vejtrækningsbeskyttelse.

AIRVISOR RESPIRATORSYSTEMER

Artikel nr.	Del nr.	Beskrivelse
1013932	DAVK-0001E	Airvisor 2 sprøjtemalingssæt
1013934	DAVK-0003E	Airvisor 2 kemisk sæt
1013935	DAVK-0004E	Airvisor 2 industrisæt
1013938	DMAK-0021E	Airvisor 2 MV sprøjtemalingssæt
1013939	DMAK-0023E	Airvisor 2 MV kemisk sæt
1013980	DMAK-0024E	Airvisor 2 MV industrisæt
1013983	DAWK-4001E	Airvisor 2 FV-Series Svejsesæt
1013987	DAWK-4011E	Airvisor 2 W-Series Svejsesæt
1765058	DAVK-0001E-DAC	Airvisor 2 sprøjtemalingssæt dobbeltvirkende konnektor
1765059	DAVK-0003E-DAC	Airvisor 2 kemisk sæt dobbeltvirkende konnektor
1765060	DAVK-0004E-DAC	Airvisor 2 industrisæt dobbeltvirkende konnektor
1765061	DMAK-0021E-DAC	Airvisor 2 MV sprøjtemalingssæt dobbeltvirkende konnektor
1765062	DMAK-0023E-DAC	Airvisor 2 MV kemisk sæt dobbeltvirkende konnektor
1765063	DMAK-0024E-DAC	Airvisor 2 MV industrisæt dobbeltvirkende konnektor
1765064	DAWK-4001E-DAC	Airvisor 2 FV-Series Svejsesæt dobbeltvirkende konnektor
1765065	DAWK-4011E-DAC	Airvisor 2 W-Series Svejsesæt dobbeltvirkende konnektor

Ekstra hjelme (komplet):

1013936	DAVK-0051E	Til brug med DAVK-0001/03E
1013937	DAVK-0052E	Til brug med DAVK-0004E
1013981	DMAK-0071E	Til brug med DMAK-0021/23E
1013982	DMAK-0072E	Til brug med DMAK-0024E
1013986	DAWS-4101E	Til brug med DAWK-4001E
1013988	DAWS-4201E	Til brug med DAWK-4011E

Ekstra livremme (komplet):

1013989	DAVV-1001E	Til brug med DAVK-0001E og DMAK-0021E
1013990	DAVV-1003E	Til brug med DAVK-0003/04E og DMAK-0023/24E og DAWK-4001/11E
1765066	DAVV-1001E-DAC	Til brug med DAVK-0001E-DAC og DMAK-0021E-DAC
1765067	DAVV-1003E-DAC	Til brug med DAVK-0003/04E-DAC og DMAK-0023/24E-DAC og DAWK-4001/11E-DAC

Udskiftningsdele og tilbehør (som vist i produkttegninger):

Nr.	Artikel nr.	Beskrivelse
1	1028821	Pandeværn og hovedbånd til Airvisor 2 DAVK-modeller
2	1028822	Pandeværn og hovedbånd til Airvisor 2 MV DAVK-modeller
3	1028823	Hovedbåndsmontage til Airvisor 2 FV-Series Svejsesæt
4	1028824	Pandeværn og hovedbånd til Airvisor 2 W-Series Svejsesæt
5	1028825	Airvisor 2 luftforsyningsslange og spredermontage (alle modeller)
6	1028826	Acetat-visir (kemisk resistent) til brug med DAVK-0001/03E
6	1028827	Polykarbonat visir (slagfast) til brug med DAVK-0004E
7	1001775	Acetat-visir (kemisk resistent) til brug med DMAK-0021/23E (pakke med 5)
7	1001774	Polykarbonat visir (slagfast) til brug med DMAK-00024E (pakke med 5)
	1028870	Visirforseglingsstrimler til brug med vare 7 (pakke med 10)
8	1028828	Indre polykarbonat visir (slagfast) til brug med DAWK-4001E
9	1001732	Engangsvisirdækkener til brug med alle DAVK-modeller (pakke med 10)
9	1001731	Engangsvisirdækkener til brug med alle DAVK-modeller (pakke med 50)
10	1001778	Engangsvisirdækkener til brug med alle DMAK-modeller (pakke med 10)
10	1001779	Engangsvisirdækkener til brug med alle DMAK-modeller (pakke med 50)
11	1001749	Engangsvisirdækkener til brug med DAWK-4001E (pakke med 10)
12	1013994	Stofansigtsforseglingsskuffe til DMAK-modeller (pakke med 5)
13	1001748	Stofansigtsforseglingsskuffe til DAWK-4001E
14	1013994	Stofansigtsforseglingsskuffe til DAWK-4011E (pakke med 5)
15	1001750	Svejseskappe til DAWK-4001E
16	1005103	Svejseskappe til DAWK-4011E
17	1001725	Miniature High Flow hurtig udløsningsstik
18	1028829	Airvisor 2 regulatormontage til alle ikke-DAC-modeller
18	1765068	Airvisor 2 regulatormontage til alle DAC-modeller
19	1001672	Kulstofpatron til alle modeller
20	1001674	Livremskabet og stofbælte
21	1028830	Airvisor 2 (ikke-DAC) særlig High Flow hurtig udløsning prop
21	1765069	Airvisor 2 (DAC) særlig High Flow hurtig udløsning prop
22	1028831	Airvisor 2 High Flow hurtig udløsningsstik
23	1001726	Blueline luftforsyningsslange 3,5 m (til ikke-DAC Airvisor 2)
23	1001727	Blueline luftforsyningsslange 7,5m (til ikke-DAC Airvisor 2)
23	1004716	Blueline luftforsyningsslange 10m (til ikke-DAC Airvisor 2)
23	1765070	Grøn luftforsyningsslange 3,5 m (til DAC Airvisor 2)
23	1765071	Grøn luftforsyningsslange 7,5m (til DAC Airvisor 2)
23	1765072	Grøn luftforsyningsslange 10m (til DAC Airvisor 2)
24	1001683	Luftslange til sprøjtepistol (1,2 m) til brug med DAVK-0001E og DMAK-0021E
25	1001733	Engangsstofvisir til brug med alle DAVK- og DMAK-modeller (pakke med 5)
26	1001676	Engangsstofhoved- og halsdækkener til brug med alle DAVK- og DMAK-modeller (pakke med 5)
27	1001754	Flammeretarderende dække til hoved og hals til brug med DAWK-4011E
28	1001738	Stofopbevaringskasse til alle modeller

ΟΔΗΓΙΕΣ ΧΡΗΣΕΩΣ ΑΝΑΠΝΕΥΣΤΙΚΗΣ ΣΥΣΚΕΥΗΣ ΠΑΡΟΧΗΣ ΑΕΡΑ ΦΥΛΑΞΤΕ ΤΙΣ ΓΙΑ ΜΕΛΛΟΝΤΙΚΗ ΧΡΗΣΗ



Μην χρησιμοποιήσετε την συσκευή πριν διαβάσετε αυτό το φυλλάδιο και ενημερωθείτε γι' αυτή.

ΟΔΗΓΙΕΣ ΧΡΗΣΕΩΣ ΚΑΙ ΣΥΝΤΗΡΗΣΗΣ



- Ο πεπιεσμένος αέρας που τροφοδοτεί την οικογένεια προϊόντων Airvisor 2 πρέπει να είναι αναπνεύσιμου τύπου σύμφωνα με το EN 12021. Η Honeywell συνιστά την χρήση συστήματος φίλτρου Clearflow για να διασφαλίζεται η ποιότητα του αέρα. Η ποιότητα του αέρα θα πρέπει να ελέγχεται περιοδικά με κατάλληλη δοκιμαστική συσκευή. Ακολουθήστε τις παρακάτω οδηγίες πριν εισέλθετε στην περιοχή εργασίας.
- Τα μοντέλα Airvisor 2 DAC (συνδέσεις διπλής δράσης) προτείνουν ειδικούς συνδετήρες διπλής δράσης για την παροχή πεπιεσμένου αέρα, προσφέροντας επιπλέον προστασία κατά των άκαιρων αποσυνδέσεων.

ΕΛΕΓΧΟΙ ΠΡΙΝ ΤΗΝ ΧΡΗΣΗ

- Ελέγξτε την λειτουργία της προειδοποιητικής σφυρίχτρας για να διασφαλίσετε ότι παρέχεται σωστός όγκος αέρα στην αναπνευστική συσκευή (βλέπε παρακάτω οδηγίες).
- Επιθεωρήστε όλο τον εξοπλισμό για τυχόν ζημιά, δίνοντας ιδιαίτερη προσοχή στον σωλήνα πεπιεσμένου αέρα, τον σωλήνα τροφοδοσίας του γείσου και την ποδιά του γείσου.
- Μην χρησιμοποιήσετε την αναπνευστική συσκευή αν έχει πάθει ζημιά η ποδιά του γείσου ή ο διανομέας του σωλήνα παροχής αέρα διότι δεν διασφαλίζεται το απαραίτητο επίπεδο προστασίας.
- Βεβαιωθείτε ότι οι προφυλακτικές του γείσου διασφαλίζουν σωστή ορατότητα.

ΤΟΠΟΘΕΤΗΣΗ ΤΟΥ ΕΞΟΠΛΙΣΜΟΥ

- Τοποθετήστε το συγκρότημα ρύθμισης γύρω από την μέση και ρυθμίστε το για να εφαρμόζει άνετα. Αν χρειαστεί, φορέστε την υφασμάτινη κουκούλα (25) και κατόπι το γείσο.
- Κρατήστε το γείσο (6, 7, 8) σηκωμένο και ρυθμίστε την μετωπική ταινία για να πετύχετε σωστή εφαρμογή.
- Συνδέστε τον σωλήνα τροφοδοσίας του γείσου (5) με τον μικρό ταχυσύνδεσμο του συγκροτήματος ρύθμισης (17).
- Επιλέξτε κατάλληλο μήκος σωλήνα πεπιεσμένου αέρα (23) μέχρι το πολύ 10 μέτρα, και συνδέστε τον στο στόμιο εισαγωγής αέρα (21) του συγκροτήματος ρύθμισης.
- Συνδέστε την άλλη άκρη του σωλήνα σε πηγή φιλτραρισμένου αέρα.



Κατά την χρήση μοντέλων Airvisor 2 DAC, χρησιμοποιείτε πράσινο σωλήνα πεπιεσμένου αέρα τύπου "green hose". Για κανονικά μοντέλα Airvisor 2, χρησιμοποιείτε μπλε σωλήνα.

Αν χρειαστεί, ζεύξτε το εργαλείο πεπιεσμένου αέρα (24) στο στόμιο εξόδου αέρα (22) του συγκροτήματος ρύθμισης.

Ανοίξτε τον πεπιεσμένο αέρα και ρυθμίστε την πίεση μεταξύ 4,5 bars (61 psi) και 7 bars (102 psi) στο στόμιο εισόδου του συγκροτήματος ρύθμισης (βλέπε παρακάτω πίνακα). Βεβαιωθείτε ότι δεν υπάρχει διαρροή αέρα. Αν ηχησει η προειδοποιητική σφυρίχτρα, αυξήστε την πίεση εισόδου μέχρι αυτή να σταματήσει. Αν η προειδοποιητική σφυρίχτρα δεν σταματήσει μολονότι αυξάνετε την πίεση, κλείστε την παροχή αέρα και αρχίστε την ρύθμιση πίεσης από την αρχή.

Έχετε υπόψη σας ότι τα kit Airvisor 2 και Airvisor 2 MV, όταν χρησιμοποιούνται με βοηθητικό εργαλείο πεπιεσμένου αέρα ή αεροπίστολο, απαιτούν υψηλότερη πίεση εισόδου (και κατά συνέπεια επιπλέον έλεγχο). Σε μια τέτοια περίπτωση, βάλτε σε λειτουργία το εργαλείο πριν χρησιμοποιήσετε την αναπνευστική συσκευή - Αν υπό αυτές τις συνθήκες ηχησει η προειδοποιητική σφυρίχτρα, αυξήστε την πίεση εισόδου αέρα μέχρι αυτή να σταματήσει. Αυτή η ενέργεια διασφαλίζει επαρκή αέρα και για το γείσο της αναπνευστικής συσκευής και για το βοηθητικό εργαλείο ή το αεροπίστολο.

Χαμηλώστε το γείσο, κάντε όλες τις απαραίτητες ρυθμίσεις στην μετωπική ταινία και τα λουριά για να διασφαλίσετε βέλτιστη και στεγανή εφαρμογή μεταξύ του πλαισίου γείσου και του προσώπου. Ελέγξτε για τυχόν εμφανή κενά μεταξύ του δέρματος και του πλαισίου γείσου. Αν τυχόν ανιχνευτούν κενά, ρυθμίστε και πάλι την συσκευή μέχρι αυτά να εκλείψουν. Τώρα πλέον είστε έτοιμος(η) να εισέλθετε στην μολυσμένη περιοχή. Έχετε υπόψη σας ότι: αν υπό κανονικές συνθήκες εργασίας ηχησει η προειδοποιητική σφυρίχτρα, σημαίνει ότι δεν υπάρχει επαρκής ροή αέρα στο γείσο της αναπνευστικής συσκευής - εγκαταλείψτε αμέσως την μολυσμένη περιοχή και αφαιρέστε το γείσο - αυξήστε την πίεση εισόδου σε κατάλληλο επίπεδο.

Αντικατάσταση του σωλήνα τροφοδοσίας και του διανομέα (όλα τα μοντέλα):

- Αν ο σωλήνας τροφοδοσίας (5) φθαρεί ή πάθει ζημιά θα πρέπει να αντικατασταθεί για να αποτραπούν οι διαρροές.
- Αποσυνδέστε τον σωλήνα από τα σημεία συναρμολόγησης (από την εσοχή στο πίσω μέρος του παλσιού γείσου και από τα δύο διαφανή περιλαίμια), και αφαιρέστε τον διανομέα από το προστατευτικό κέλυφος του (μαύρο κυρτό εξάρτημα) αφού βγάλετε την τάπα.
- Εγκαταστήστε το καινούργιο συγκρότημα εισάγοντας με προφύλαξη τον διανομέα από μους στο προστατευτικό κέλυφος του και ξαναβάλτε την τάπα.
- Στερεώστε τον σωλήνα τροφοδοσίας στο πλαίσιο γείσου χρησιμοποιώντας τα δύο περιλαίμια συγκράτησης, καθώς και την εσοχή στο πίσω μέρος του πλαισίου γείσου.

Αντικατάσταση των προφυλακτικών μιας χρήσης του γείσου (όλα τα μοντέλα):

- Στερεώστε τους προφυλακτικές του γείσου (9/10/11) στους μεταλλικούς πείρους από κάθε πλευρά του γείσου.

Αντικατάσταση του γείσου (μοντέλα DAVK-000*E & DAWK-4001E):

- Αποσυνδέστε τον σωλήνα τροφοδοσίας του γείσου (5) από το το πίσω μέρος του πλαισίου γείσου.
- Κρατώντας το πάνω μέρος του πλαισίου γείσου, πιέστε γερά το πάνω μέρος του γείσου (6) από τα έξω προς τα μέσα με τον αντίχειρα και τον δείκτη.
- Αποσυνδέστε το γείσο από τους πείρους από κάθε μεριά του πλαισίου γείσου.
- Αν θέλετε να ξαναχρησιμοποιήσετε τον σωλήνα τροφοδοσίας, αποσυνδέστε τα δύο περιλαίμια συγκράτησης από το γείσο. Στην αντίθετη περίπτωση, πετάξτε και το γείσο και τον σωλήνα τροφοδοσίας.
- Για την επανασυναρμολόγηση, περάστε τον ταχύ συνδετήρα του σωλήνα τροφοδοσίας μέσα από την οπή η οποία βρίσκεται στο μους του γείσου.
- Συνδέστε τον σωλήνα τροφοδοσίας στο γείσο χρησιμοποιώντας τα δύο περιλαίμια συγκράτησης καθώς και τους πείρους οι οποίοι βρίσκονται στο κέλυφος του διανομέα.
- Επανατοποθετήστε τους δύο πείρους του πλαισίου γείσου στις δύο οπές στο πάνω μέρος του γείσου και πατήστε γερά. Περιστρέψτε το γείσο για να μπει στη θέση του στο πλαίσιο γείσου.

Αντικατάσταση ολόκληρου του συγκροτήματος της κάτω ποδιάς (μοντέλα DMAK-002*E & DAWK-4011E):

- Αναποδογυρίστε το πλαίσιο γείσου στο μπράτσο και κρατήστε το πάνω μέρος του πλαισίου γείσου με το ένα χέρι.
- Με το ελεύθερο χέρι, κρατήστε το κάτω μέρος της ποδιάς και σπρώξτε απότομα. Πεταίξτε την παλιά ποδιά.
- Ευθυγραμμίστε την ποδιά αντικατάστασης (12, 14) κάτω από το πλαίσιο γείσου.
- Αρχίζοντας από την μια άκρη της, συνδέστε την ποδιά στο πλαίσιο γείσου. Βεβαιωθείτε ότι τα ελαστικά λουριά από ύφασμα περνούν μέσα από την μετωπική ταινία, και κατόπιν διπλώστε τα γύρω από την μετωπική ταινία και δέστε τα με το κουμπί σύστα - Σε περίπτωση αμφιβολίας, κοιτάξτε ένα μη αποσυναρμολογημένο πλαίσιο γείσου.
- Η κάτω ποδιά πρέπει να αλλάζεται σε περίπτωση ζημιάς, σκόνης ή ακαθαρσίας.

Αντικατάσταση του γείσου (μοντέλα DMAK-002*E & DAWK-4011E):

- Ελέγξτε τις ταινίες από στεγανό μους και αλλάξτε τις αν χρειαστεί.
- Αφαιρέστε το γείσο σπρώχνοντάς το από τα μέσα προς τα έξω.
- Τοποθετήστε το καινούριο γείσο στην εσοχή της μιας από τις πλευρές του πλαισίου γείσου, φροντίζοντας το πάνω τμήμα να είναι επίσης μέσα στην εσοχή του.
- Ολοκληρώστε την εισαγωγή του γείσου (7) στο πλαίσιο γείσου μέχρι την άλλη πλευρά, και κατόπιν ολοκληρώστε την εγκατάσταση συνδέοντας το γείσο στην εσοχή στο κάτω μέρος του πλαισίου γείσου.

Αντικατάσταση / Τοποθέτηση ειδικής οπτικής οθόνης προστασίας μεταλλουργού (κιτ προστασίας μεταλλουργού μόνο)

DAWK-4001E:

- Ξεβιδώστε τους ρυθμιζόμενους σφικτήρες της ειδικής οπτικής οθόνης στο εσωτερικό του κελύφους
- Αφαιρέστε τα καπάκια και την ειδική οπτική οθόνη
- Αλλάξτε την ειδική οπτική οθόνη αν χρειαστεί
- Αλλάξτε τον σφικτήρα και τις βίδες

DAWK-4011E:

Στην περίπτωση του κιτ προστασίας μεταλλουργού σειράς W, η πρόσβαση στο σύστημα συγκράτησης παραθύρου είναι από το εξωτερικό του κελύφους, μετά την αφαίρεση του ανοικτού μπλε εξωτερικού καπακιού. Τα εσκασμένα υαλίνα συγκροτήματα παραθύρου κρατούνται στη θέση τους με σύστημα εύκαμπτου σφικτήρα.

Αντικατάσταση της κασέτας άνθρακα:



Η κασέτα άνθρακα (19) θα πρέπει να αλλάζεται αν ανιχνευτεί οσμή ή μετά από 1.000 ώρες χρήσης (το μέγιστο).

- Αποσπαστέ όλους του εύκαμπτους σωλήνες σύνδεσης από το συγκρότημα ρύθμισης και αφαιρέστε τις τρεις βίδες στερέωσης.
- Γυρίστε το προς τα εμπρός το σύστημά ρύθμισης για να το αφαιρέσετε, και αναποδογυρίστε το για να αφαιρέσετε την κασέτα άνθρακα.
- Τοποθετήστε τα Ο-ริงκ στο πάνω και κάτω μέρος της καινούργιας κασέτας και τοποθετήστε την κασέτα στο συγκρότημα ρύθμισης.
- Επανατοποθετήστε το συγκρότημα ρύθμισης βάζοντας την μαύρη προεσοχή στην εσοχή στο κάτω μέρος του συγκροτήματος ρύθμισης.
- Σφίξτε τις τρεις βίδες και συνδέστε το συγκρότημα ρύθμισης με τον πεπιεσμένο αέρα.
- Ελέξτε για τυχόν διαρροή αέρα.



Αν χρειαστεί να αλλάξετε συνδετήρες, χρησιμοποιήστε αποκλειστικά ανταλλακτικά Honeywell για να διασφαλίσετε μέγιστη ασφάλεια.

ΚΑΘΑΡΙΣΜΟΣ ΚΑΙ ΑΠΟΛΥΜΑΝΣΗ ΜΕΤΑ ΑΠΟ ΚΑΘΕ ΧΡΗΣΗ:

- Αφαιρέστε την σκόνη και τις ακαθαρσίες από την συσκευή χρησιμοποιώντας ένα μαλακό πανί βρεγμένο με απολυμαντικό ή σαπουνάδα.
- Μην βυθίζετε την συσκευή στο νερό.
- Μην χρησιμοποιείτε διαλυτικά ή μη αραιωμένα απορρυπαντικά διότι κινδυνεύετε να κάνετε ζημιά στη συσκευή.
- Μην χρησιμοποιείτε λειαντικά προϊόντα καθαρισμού διότι μπορεί να χαλάσουν τις επιφάνειες της συσκευής ή να χαράξουν το γείσο
- Βάλτε την συσκευή να στεγνώσει μέσα σε ένα καλά αεριζόμενο δωμάτιο χωρίς απευθείας έκθεση στον ήλιο, και μακριά από πηγές υψηλής θερμότητας ή ακτινοβολούμενης θερμότητας.
- Τοποθετήστε την συσκευή στον σάκο αποθήκευσης (28) μετά τον καθαρισμό και την απολύμανση.



- Ο πεπιεσμένος αέρας που τροφοδοτεί τα προϊόντα της οικογένειας Airvisor 2 πρέπει να είναι αναπνεύσιμου τύπου σύμφωνα με το πρότυπο EN 12021.
- Βεβαιωθείτε ότι η υγρασία στον πεπιεσμένο αέρα δεν υπερβαίνει τα όρια που ορίζονται από το πρότυπο EN 12021, για να μην παγώσει η συσκευή σε περίπτωση χαμηλών θερμοκρασιών.
- Θα πρέπει να προσέχετε ιδιαίτερα η συσκευή να μην συνδέεται με εναλλακτικά συστήματα παροχής αέρα που δεν παρέχουν αέρα αναπνεύσιμου τύπου.
- Η συσκευή δεν θα πρέπει να συνδέεται με συστήματα παροχής οξυγόνου ή αέρα εμπλουτισμένου με οξυγόνο.
- Όταν πολλοί χρήστες συνδέονται με το ίδιο σύστημα παροχής αέρα, βεβαιωθείτε ότι το σύστημα αυτό έχει επαρκή ικανότητα παροχής για όλους τους χρήστες.
- Η χρήση των σωλήνων BlueLine (Airvisor 2 κανονικός), ή των σωλήνων «green hose» (Airvisor 2 DAC), με τα ρακόρ τους υψηλής ροής αποτελεί μέρος της πιστοποίησης. Μην χρησιμοποιείτε άλλα μοντέλα σωλήνων ούτε να χρησιμοποιείτε τους σωλήνες για άλλες χρήσεις.
- Το μέγιστο μήκος των σωλήνων πεπιεσμένου αέρα Κλάσης A είναι 10 μέτρα και θα πρέπει να είναι μονοκόμματα. Μην συνδέεται πολλούς σωλήνες για να πετύχετε το παραπάνω μήκος.
- Η μέγιστη (ονομαστική) πίεση λειτουργίας για τους σωλήνες πεπιεσμένου αέρα Honeywell είναι 10 bars.
- Επειδή αυτή η συσκευή είναι ακατάλληλη για χρήση άνω των 35°C, μην την αφήνετε στην καμπίνα βαφής όταν αυτή μεταβαίνει στον τρόπο λειτουργίας στέγνωμα.
- Μην χρησιμοποιείτε την συσκευή υπό συνθήκες κατά τις οποίες ο χρήστης είναι απροστάτευτος, διότι τότε αυτός εκτίθεται σε κίνδυνο μη αναστρέψιμου τραυματισμού, ούτε σε περιβάλλον πτωχό σε οξυγόνο.
- Υπό συνθήκες πολύ έντονης εργασίας κατά τις οποίες ο χρήστης εισπνέει πολύ αέρα η πίεση μέσα στο πλαίσιο γείσου ενδέχεται να γίνει αρνητική.
- Σε μολυσμένη περιοχή, βεβαιωθείτε ότι το γείσο είναι κατεβασμένο και εγκαταλείψτε αμέσως την περιοχή μόλις υποψιαστείτε κάποιο πρόβλημα ή όταν αρχίσει να ηχεί η σφυρίχτρα.
- Η προστασία κατά του λιωμένου μετάλλου διασφαλίζεται μόνο όταν χρησιμοποιούνται οι προφυλακτικές γείσου.
- Όταν χρειαστεί, η σήμανση F1 δείχνει ότι η συσκευή και ο σωλήνας πεπιεσμένου αέρα μπορούν να χρησιμοποιηθούν υπό συνθήκες αναφλεξιμότητας.
- Η συσκευή μπορεί να μην προσφέρει προστασία σε ορισμένες πολύ τοξικές ατμόσφαιρες. Εναπόκειται στον χρήστη να σιγουρευτεί ότι η συσκευή είναι κατάλληλη για την εργασία που προορίζεται να κάνει, και ότι επίσης είναι κατάλληλη για τον συγκεκριμένο χρήστη. Για οδηγίες, ανατρέξτε στην ισχύουσα σχετική νομοθεσία.

Ελάχιστες πιέσεις που πρέπει να τηρούνται στην είσοδο του σωλήνα πεπιεσμένου αέρα:

		Πίεση τροφοδοσίας σε bars (psi)	
Εσωτερική διάμετρος σωλήνα (mm)	Μήκος σωλήνα (m)	DAVK-0001E	DAVK-0003E, 0004E
		DMAK-0021E	DMAK-0023E, 0024E DAWK-4001E, 4011E
8	3.5	5.3 bars (77 psi)	4.5 bars (61 psi)
	7.5		4.6 bars (63 psi)
	10	5.4 bars (79 psi)	4.7 bars (64 psi)
		5.5 bars (80 psi)	



- **Μέγιστο μήκος σωλήνα 10 μέτρα.**
- Για τα μοντέλα DAVK-0001E και DMAK-0021E, αν ηχήσει η προειδοποιητική σφυρίχτρα οιαδήποτε στιγμή κατά την διάρκεια της λειτουργίας του εργαλείου πεπιεσμένου αέρα ή του πιστολιού βαφής, αυξήστε την πίεση εισόδου μέχρι αυτή να σταματήσει. Αυτή η ενέργεια διασφαλίζει ότι φθάνει επαρκής αέρας στο πλαίσιο γείσου, και ότι υπάρχει ασφάλεια για τον χρήστη.

ΤΕΧΝΙΚΕΣ ΠΛΗΡΟΦΟΡΙΕΣ

Πιστοποίηση / Έγκριση	Εγκριμένο CE (CE 0194)
Πρότυπο / Συμμόρφωση	EN 14594:2005 (Κλάση ελαφράς χρήσης Α)
Ονομαστικοί παράγοντες προστασίας	Κλάση 3 = 200 Μοντέλα DAWK Κλάση 4 = 2,000 (Μοντέλα DAVK & DMAK)
Γείσο: Ανθεκτικό στις χημικές ουσίες Ανθεκτικό στα χτυπήματα	EN 166.2.F EN 166.2.B.9
Ελάχιστος ρυθμός ροής του κατασκευαστή Μέγιστος ρυθμός ροής	260 λίτρα/λεπτό 290 λίτρα/λεπτό
Πίεση λειτουργίας	4.5 bars (61 psi) έως 7.0 bars (102 psi)
Μέγιστη θερμοκρασία λειτουργίας	35°C
Κασέτα άνθρακα	Αλλάξτε μετά από 1.000 hours, ή αν ανιχνεύσετε οσμή στο πλαίσιο γείσου

ΠΑΡΑΓΟΝΤΕΣ ΠΡΟΣΤΑΣΙΑΣ

Ένας συντελεστής ονομαστικής προστασίας (APF) 40 σημαίνει ότι η αναπνευστική συσκευή μπορεί να χρησιμοποιηθεί σε περιοχές μόλυνσης μέχρι 40 φορές το όριο έκθεσης στον χώρο εργασίας.

Για άλλες γεωγραφικές περιοχές, ανατρέξτε σε εθνικούς ή τοπικούς κανονισμούς ή οδηγίες οι οποίοι τροποποιούν την τιμή της ονομαστικής προστασίας που μπορείτε να χρησιμοποιείτε όταν θέλετε να επιλέξετε αναπνευστική προστασία.

ΑΝΑΠΝΕΥΣΤΙΚΑ ΣΥΣΤΗΜΑΤΑ AIRVISOR

Κωδικός	Μοντέλο	Περιγραφή
1013932	DAVK-0001E	Airvisor 2 Κιτ μογιόγας σε σπρέι
1013934	DAVK-0003E	Airvisor 2 Χημικό κιτ
1013935	DAVK-0004E	Airvisor 2 Βιομηχανικό κιτ
1013938	DMAK-0021E	Airvisor 2 MV Κιτ μογιόγας σε σπρέι
1013939	DMAK-0023E	Airvisor 2 MV Χημικό κιτ
1013980	DMAK-0024E	Airvisor 2 MV Βιομηχανικό κιτ
1013983	DAWK-4001E	Airvisor 2 FV Κιτ προστασίας μεταλλουργού
1013987	DAWK-4011E	Airvisor 2 W Κιτ προστασίας μεταλλουργού
1765058	DAVK-0001E-DAC	Airvisor 2 Κιτ μογιόγας σε σπρέι συνδετήρας διπλής δράσης
1765059	DAVK-0003E-DAC	Airvisor 2 Χημικό κιτ συνδετήρας διπλής δράσης
1765060	DAVK-0004E-DAC	Airvisor 2 Βιομηχανικό κιτ συνδετήρας διπλής δράσης
1765061	DMAK-0021E-DAC	Airvisor 2 MV Κιτ μογιόγας σε σπρέι συνδετήρας διπλής δράσης
1765062	DMAK-0023E-DAC	Airvisor 2 MV Χημικό κιτ συνδετήρας διπλής δράσης
1765063	DMAK-0024E-DAC	Airvisor 2 MV Βιομηχανικό κιτ συνδετήρας διπλής δράσης
1765064	DAWK-4001E-DAC	Airvisor 2 FV Κιτ προστασίας μεταλλουργού συνδετήρας διπλής δράσης
1765065	DAWK-4011E-DAC	Airvisor 2 W Κιτ προστασίας μεταλλουργού συνδετήρας διπλής δράσης

Εφεδρικά πλαίσια γείσου (πλήρη):

1013936	DAVK-0051E	Για χρήση με το DAVK-0001/03E
1013937	DAVK-0052E	Για χρήση με το DAVK-0004E
1013981	DMAK-0071E	Για χρήση με το DMAK-0021/23E
1013982	DMAK-0072E	Για χρήση με το DMAK-0024E
1013986	DAWS-4101E	Για χρήση με το DAWK-4001E
1013988	DAWS-4201E	Για χρήση με το DAWK-4011E

Εφεδρικά συγκροτήματα ρύθμισης (πλήρη):

1013989	DAVW-1001E	Για χρήση με το DAVK-0001E και το DMAK-0021E
1013990	DAVW-1003E	Για χρήση με το DAVK-0003/04E και το DMAK-0023/24E και το DAWK-4001/11E
1765066	DAVW-1001E-DAC	Για χρήση με το DAVK-0001E-DAC και το DMAK-0021E-DAC
1765067	DAVW-1003E-DAC	Για χρήση με το DAVK-0003/04E-DAC και το DMAK-0023/24E-DAC και το DAWK-4001/11E-DAC

Ανταλλακτικά και αξεσουάρ (όπως απεικονίζονται στα σχέδια προϊόντων):

Κωδικός	Μοντέλο	Περιγραφή
1	1028821	Κέλυφος πλαισίου γείσου με μετωπική ταινία για Airvisor 2 μοντέλα DAVK
2	1028822	Κέλυφος πλαισίου γείσου με μετωπική ταινία για Airvisor 2 μοντέλα MV DMAK
5	1028825	Airvisor 2 Σωλήνας τροφοδοσίας και διανομίας για όλα τα μοντέλα
3	1028823	Συγκρότημα μετωπικής ταινίας για κιτ προστασίας μεταλλουργού Airvisor 2 FV
4	1028824	Προφυλακτήρας γείσου και μετωπική ταινία για κιτ προστασίας μεταλλουργού Airvisor 2 W
6	1028826	Γείσο οξικής κυτταρίνης (ανθεκτικό στις χημικές ουσίες) για χρήση με το DAVK-0001/03E
6	1028827	Γείσο πολυανθρακικού (ανθεκτικό στα χτυπήματα) για χρήση με το DAVK-0004E
7	1001775	Γείσο οξικής κυτταρίνης (ανθεκτικό στις χημικές ουσίες) για χρήση με το DMAK-0021/23E (σετ των 5)
7	1001774	Γείσο πολυανθρακικού (ανθεκτικό στα χτυπήματα) για χρήση με το DMAK- 0024E /23E (σετ των 5)
	1028870	Ταινίες από μους στεγανές για χρήση με τα είδη 7 (σετ των 10)
8	1028828	Εσωτερικό γείσο πολυανθρακικού (ανθεκτικό στα χτυπήματα) για χρήση με το DAWK-4001E
9	1001732	Προφυλακτήρες γείσου μιας χρήσης για χρήση με όλα τα μοντέλα DAVK (σετ των 10)
9	1001731	Προφυλακτήρες γείσου μιας χρήσης για χρήση με όλα τα μοντέλα DAVK (σετ των 50)
10	1001778	Προφυλακτήρες γείσου μιας χρήσης για χρήση με όλα τα μοντέλα DMAK (σετ των 10)
10	1001779	Προφυλακτήρες γείσου μιας χρήσης για χρήση με όλα τα μοντέλα DMAK (σετ των 50)
11	1001749	Καπάκια γείσου μιας χρήσης για χρήση με το DAWK-4001E (σετ των 10)
12	1013994	Κασέτα κάτω ποδιάς από ύφασμα για τα μοντέλα DMAK (σετ των 5)
13	1001748	Συγκρότημα κάτω ποδιάς από ύφασμα για το DAWK-4001E
14	1013994	Κασέτα κάτω ποδιάς από ύφασμα για το DAWK-4011E (σετ των 5)
15	1001750	Κέλυφος προστασίας μεταλλουργού για το DAWK-4001E
16	1005103	Κέλυφος προστασίας μεταλλουργού για το DAWK-4011E
17	1001725	Μικρός ταχυσύνδεσμος υψηλής ροής
18	1028829	Βαθμίδα ρυθμιστή Airvisor 2 για όλα τα μοντέλα μη DAC
18	1765068	Βαθμίδα ρυθμιστή Airvisor 2 για όλα τα μοντέλα DAC
19	1001672	Κασέτα άνθρακα για όλα τα μοντέλα
20	1001674	Κέλυφος συγκροτήματος ρυθμιστή με ζώνη από ύφασμα
21	1028830	Ειδικός ταχυσύνδεσμος υψηλής ροής Airvisor 2 (μη DAC)
21	1765069	Ειδικός ταχυσύνδεσμος υψηλής ροής Airvisor 2 (DAC)
22	1028831	Μικρός ταχυσύνδεσμος υψηλής ροής Airvisor 2
23	1001726	Σωλήνας BlueLine 3,5 m (για Airvisor 2 μη DAC)
23	1001727	Σωλήνας BlueLine 7,5m (για Airvisor 2 μη DAC)
23	1004716	Σωλήνας BlueLine 10m (για Airvisor 2 μη DAC)
23	1765070	Πράσινο σωλήνας «green hose» 3,5 m (για Airvisor 2 DAC)
23	1765071	Πράσινο σωλήνας «green hose» 7,5m (για Airvisor 2 DAC)
23	1765072	Πράσινο σωλήνας «green hose» 10m (για Airvisor 2 DAC)
24	1001683	Σωλήνας πιστολιού βαφής (1,2m) για χρήση με το DAVK-0001E και το DMAK-0021E
25	1001733	Προφυλακτήρες γείσου μιας χρήσης για χρήση με όλα τα μοντέλα DAVK & DMAK (σετ των 5)
26	1001676	Προφυλακτήρας αυχένα μιας χρήσης για χρήση με όλα τα μοντέλα DAVK & DMAK (σετ των 5)
27	1001754	Βραδυφλεγές κάλυμμα κεφαλής και λαιμού για χρήση με το DAWK-4011E
28	1001738	Σάκος αποθήκευσης για όλα τα μοντέλα

**INSTRUCCIONES PARA EL USUARIO DEL EQUIPO RESPIRATORIO DE ALIMENTACIÓN DE AIRE -
LE ROGAMOS QUE LO CONSERVE PARA FUTURAS CONSULTAS**



No utilizar el equipo antes de leer estas instrucciones y de formarse para el producto.

INSTRUCCIONES PARA EL USO Y EL MANTENIMIENTO



- **El aire comprimido que alimenta los productos de tipo Airvisor 2 deberá ser de una calidad respirable, conforme a la norma EN 12021. Honeywell recomienda el uso de un sistema de filtros Clearflow para facilitar dicho cumplimiento. La calidad del aire deberá ser comprobada periódicamente, utilizando un equipo de pruebas adaptado. Cumplir con las siguientes instrucciones antes de entrar en la zona de trabajo.**
- **Los modelos Airvisor 2 DAC (acoplamiento de doble acción) proponen conectores de doble acción específicos para la alimentación de aire comprimido, proporcionando un formato de conexión específico y una protección adicional contra las desconexiones inesperadas.**

COMPROBACIONES ANTES DEL USO

- Comprobar el funcionamiento del silbato de advertencia para asegurarse de que llega un volumen correcto de aire al equipo (ver las instrucciones en adelante).
- Comprobar que todo el material no esté dañado, prestando especial atención a la manguera, al tubo de alimentación del visor y al faldón facial.
- No utilizar el equipo respiratorio, si el faldón facial o el difusor del tubo de alimentación de aire están dañados, ya que esto podría afectar la protección.
- Asegurarse de que el visor ofrece una buena visibilidad.

COLOCACIÓN DEL EQUIPO

- Asegurar el bloque regulador alrededor de la cintura y ajustarlo para que se adapte cómodamente. Si es necesario, colocarse el capuz en tejido (25) y después el conjunto del visor.
- Mantener el visor (6, 7, 8) levantado y ajustar la correa y la cinta para la cabeza, para sujetarlo firmemente.
- Conectar el terminal del visor al tubo de alimentación de aire (5) en el mini bloque rápido de liberación de alto caudal (17).
- Seleccione la longitud adecuada del tubo de aire comprimido (23), hasta un máximo de 10 metros, y conectar a la entrada de aire de la manguera (21) en el bloque regulador.
- Conectar la otra extremidad a una fuente de aire filtrado.



Al utilizar modelos Airvisor 2 DAC, usar la manguera de alimentación de aire verde. Utilizar las mangueras azules para los modelos Airvisor 2.

Si es necesario, conectar la herramienta de aire comprimido (24), con la salida de aire (22) del bloque regulador.

Abrire el aire comprimido y regular la presión para obtener entre 4,5 bares (61 psi) y 7 bares (102 psi) en la entrada del bloque regulador (ver el gráfico de la presión de suministro en el dorso). Asegurarse de que no hay fugas de aire. Si se dispara el silbato de advertencia, aumentar la presión de entrada hasta que se detenga. Si el silbato no se detiene, al aumentar la presión, cerrar la llegada de aire y volver a empezar, tras regular la presión.

Cabe destacar que los Airvisor 2 y los conjuntos Airvisor 2 MV, utilizados con una herramienta de aire comprimido auxiliar, o una pistola de pulverización, requieren presiones de entrada superiores (de modo que se debe realizar una comprobación suplementaria). En este caso, es necesario poner en marcha la herramienta, antes de colocarse el equipo respiratorio - Si, en estas condiciones, se dispara el silbato de advertencia, aumentar la presión de entrada hasta que se detenga. Esto garantiza que hay aire suficiente para ambos equipos respiratorios, el visor y la herramienta auxiliar o pistola de pulverización.

Bajar el visor, realizando los ajustes necesarios para que la correa y la cinta para la cabeza se adapten perfectamente al faldón facial alrededor del rostro. Comprobar que no existen espacios visibles demasiado importantes entre la piel y el faldón frontal. Si se detectan espacios, reajustar el dispositivo hasta que esté bien cerrado. Ahora ya está listo para entrar en la zona contaminada. Nota: si el silbato de advertencia se dispara, en condiciones de funcionamiento normales, esto indica que el caudal de aire del visor del equipo respiratorio es insuficiente –salga inmediatamente de la zona contaminada, y después quítese el visor - aumente la presión de entrada hasta un nivel adecuado.

Sustitución del tubo de alimentación de aire y del conjunto del difusor (Todos modelos):

- Si el tubo de alimentación de aire (5) está desgastado o dañado, debe ser sustituido para evitar las fugas.
- Retirar el tubo de sus puntos de montaje (enganchado en la muesca de la parte trasera del capuz y montado sobre dos clavijas de retención transparentes) y retirar el difusor de su montaje central, pieza curvada, tras quitar la tapa.
- Instalar el nuevo conjunto teniendo cuidado al insertar el difusor de espuma en la pieza curvada y volviendo a colocar la tapa en su sitio.
- Volver a colocar el tubo de alimentación de aire en el visor/estructura utilizando las dos clavijas de retención, asegurándose de que el tubo encaje en la muesca del capuz.

Sustitución de las protecciones desechables del visor (Todos modelos):

- Fije la protección del visor (9/10/11) con ganchos de metal de cada lado del visor.

Sustitución del Visor (Modelos DAVK-000*E & DAWK-4001E):

- Soltar el tubo de alimentación de aire (5) de la parte trasera del capuz.
- Sujetando el capuz, pulsar con firmeza la parte superior del visor (6) del exterior hacia el interior, utilizando el dedo pulgar y el índice.
- Soltar el visor de las clavijas azules situadas a ambos lados del capuz.
- Si el tubo de alimentación de aire del visor debe ser reutilizado, desenganche el tubo del interior del visor, con cuidado, tirando de las dos clavijas de retención transparentes, en el caso contrario desechar tanto el visor como el tubo.
- Para volver a montarlo, pasar el conector rápido del tubo de alimentación por el agujero situado en la espuma del visor.
- Adaptar el tubo de alimentación de aire al visor con las dos clavijas de retención transparentes y de montaje centralizado, a la pieza curva.
- Volver a colocar las dos clavijas del capuz azul en los agujeros de la parte superior del visor y pulsar con firmeza, girar el capuz y enclipsar en su posición.

Sustitución del conjunto faldón facial (Modelos DMAK-002*E & DAWK-4011E):

- Girar el Airvisor en el brazo y mantener la parte superior del capuz con la mano.
- Con la mano libre, sujetar la parte inferior del faldón frontal y separarla del visor con un golpe rápido.
- Alinear el conjunto de sustitución (12, 14) debajo del visor.
- Empezando por una de las extremidades y actuando alrededor de la estructura, enclipsar el conjunto en la estructura del visor. En cuanto a las partes en tejido, asegurarse de que las extremidades libres pasen por el interior de la cinta para la cabeza, y después plegar la cinta de la cabeza que se queda fuera, atándola junta con botones de presión - si tiene cualquier duda, consulte la configuración existente antes de desmontarlo.
- Esta parte debe ser sustituida, en caso de daños, presencia de polvo o de suciedad.

Sustitución del Visor (Modelos DMAK-002*E & DAWK-4011E):

- Comprobar las cintas de espuma de sellado, y sustituirlas si es necesario.
- Quitar el visor, empujándolo del interior hacia el exterior.
- Colocar el nuevo visor en la muesca en uno de los lados del capuz, asegurándose que su parte superior también se encuentra en la ranura.
- Acabar de insertar el visor (7) en el capuz hasta el otro lado, y después finalizar la instalación enclipsando el visor en la muesca inferior del capuz.

Substitución / Montaje de soldadura del filtro (sólo equipos de soldadura)

DAWK-4001E:

- Desenroscar los tornillos de fijación del objetivo en el interior del casco.
- Quitar las placas de la tapa y el filtro
- Substituir el filtro si es necesario
- Volver a colocar la abrazadera y los tornillos.

DAWK-4011E:

En el caso en que en el conjunto de soldadura de las Series W, el acceso al sistema de retención de la ventana se realiza a partir del exterior del casco de soldadura, después de quitar la cubierta exterior de color azul claro. Los montajes del vidrio de la ventana sombreada se mantienen en su sitio con un sistema de clip flexible.

Sustitución de los cartuchos de carbono:



Los cartuchos de carbono (19) deben sustituidos si se detecta un olor, o tras 1.000 horas de uso (máximo).

- Soltar los cinturones de la alimentación de aire, quitar todas las mangueras de conexión y los tres tornillos de fijación.
- Inclinar hacia delante y quitar el conjunto regulador, girar el bloque regulador para quitar el cartucho de carbono.
- Colocar las juntas tóricas arriba y abajo del cartucho sustituido.
- Volver a poner en su sitio y volver a colocar el tornillo negro del conjunto del regulador en la ranura de la parte inferior del bloque regulador.
- Volver a apretar los tornillos y reconectar a la alimentación de aire.
- Comprobar que no hay fugas de aire.



Al realizar las sustituciones, utilizar únicamente piezas de recambio Honeywell para mantener una protección óptima.

LIMPIEZA Y DESINFECCIÓN TRAS CADA UTILIZACIÓN

- Quitar el polvo y la suciedad del equipo, utilizando un trapo suave humedificado con un ligero desinfectante o con una solución de jabón líquido.
- No sumergir el equipo.
- No utilizar solventes o detergentes sin diluir que podrían dañar el equipo.
- No utilizar productos de limpieza abrasivos que podrían dañar la superficie del equipo o rayar el visor.
- Dejar secar completamente en una estancia bien ventilada, alejada de los rayos directos del sol y de fuentes de alta temperatura o de calor radiante.
- Colocar el equipo en su bolsa de almacenamiento (28) tras la limpieza y la desinfección.

- El aire comprimido que alimenta los productos de tipo Airvisor 2 deberá ser de una calidad respirable, conforme a la norma EN 12021.
- Asegurarse que la humedad del aire comprimido no supera los límites establecidos por la norma EN 12021, con el fin de evitar que se forme hielo en el aire del equipo, a bajas temperaturas.
- Se debe dedicar una atención particular, para asegurarse de que el equipo no esté conectado a sistemas de líneas de abastecimiento de aire alternativas, en el puesto de trabajo, que proporcionen otros gases que no sean de una calidad respirable.
- El equipo no debe estar conectado a una fuente de oxígeno o de aire enriquecido en oxígeno.
- Cuando varios usuarios están conectados a la misma fuente de aire, asegurarse que la capacidad en aire sea suficiente para todos los equipos conectados.
- El uso de mangueras de Honeywell Blueline (Airvisor 2 estándar) o de mangueras verdes (Airvisor 2 DAC) con sus conexiones de alto caudal, forma parte de la certificación; no utilizar otros modelos de mangueras, ni adaptar estos para otros usos.
- La longitud máxima de las mangueras de aire comprimido de Clase A es de 10 metros y solo debe estar formada por una sola manguera continua. No añadir varias mangueras más cortas para alcanzar juntas esta longitud máxima.
- La presión (nominal) de trabajo máxima para las mangueras de aire comprimido Honeywell es de 10 bares.
- Este equipo no está adaptado para un uso por encima de 35°C, tener cuidado de no dejar el equipo en la cabina de pintura, cuando esta pasa en modo secado.
- No utilizar en circunstancias en las que el usuario pueda sufrir lesiones irreversibles sin protección, ni en entornos deficientes en oxígeno.
- En algunas circunstancias de trabajo muy intenso, la presión dentro del capuz puede llegar a ser negativa en los momentos de inhalación más altos.
- Al encontrarse en una zona contaminada, asegurarse de que el visor esté bloqueado en la posición más baja y retirarse inmediatamente de la zona peligrosa si sospecha cualquier fallo o si se dispara el silbato de advertencia.
- Se garantiza una protección contra el metal fundido, únicamente cuando se utiliza la protección desechable del visor.
- Si procede, el marcado 'F' indica que el equipo y la manguera de suministro de aire comprimido pueden utilizarse en situaciones en las que haya riesgo de inflamabilidad.
- El equipo puede no proporcionar una protección adecuada en algunas atmósferas altamente tóxicas. El usuario es responsable de asegurarse que el equipo está adaptado para el trabajo que va a llevar a cabo, así como para la persona que lo va a utilizar. Le rogamos conformarse a la normativa vigente local.



Presiones mínimas que se han de respetar en la entrada de la manguera de aire comprimido:

		Presión de alimentación en bares (psi)	
Diámetro manguera (mm)	Largo de la manguera (m)	DAVK-0001E DMAK-0021E	DAVK-0003E, 0004E DMAK-0023E, 0024E DAWK-4001E, 4011E
8	3,5	5,3 bares (77 psi)	4,5 bares (61 psi)
	7,5		4,6 bares (63 psi)
	10	5,4 bares (79 psi)	4,7 bares (64 psi)
		5,5 bares (80 psi)	



- Largo máximo de la manguera de alimentación 10 metros.
- Para los DAVK-0001E y DMAK-0021E, si se dispara el silbato de advertencia en cualquier momento durante el funcionamiento de la herramienta auxiliar o de la pistola de pulverización, aumentar la presión de entrada hasta que se detenga. Esto garantiza que llegue suficiente aire al capuz y que se mantenga su seguridad.

INFORMACIÓN TÉCNICA

Certificación / Aprobación	Certificado CE (CE 0194)
Estándar / Cumplimiento	EN 14594:2005 (Tareas ligeras Clase A)
Factores de Protección Nominal	Clase 3 = Modelos 200 DAWK Clase 4 = Modelos 2.000 DAVK & DMAK
Visor: Resistencia química Resistencia a los impactos	EN 166.2.F EN 166.2.B.9
Caudal de diseño mínimo del fabricante Caudal máximo	260 l/min 290 l/min
Presión de funcionamiento	4,5 bares (61 psi) a 7,0 bares (102 psi)
Temperatura máxima de funcionamiento	35°C
Cartucho de carbono	Sustituir tras 1.000 horas, o si se detecta un olor dentro del casco

FACTORES DE PROTECCIÓN

Un Factor de Protección Asignado (APF) de 40 significa que el equipo puede ser utilizado en zonas en las que la contaminación representa hasta 40 veces el valor límite de exposición legal.

Para otras regiones geográficas, conformarse a la normativa o directrices locales o nacionales que modifican el valor del factor de protección que se le permite utilizar, para la elección de un equipo respiratorio adaptado.

EQUIPOS RESPIRATORIOS AIRVISOR

Artículo n°	Pieza N°	Descripción
1013932	DAVK-0001E	Airvisor 2 Kit de pintura
1013934	DAVK-0003E	Airvisor 2 Kit químico
1013935	DAVK-0004E	Airvisor 2 Kit industrial
1013938	DMAK-0021E	Airvisor 2 MV Kit de pintura
1013939	DMAK-0023E	Airvisor 2 MV Kit químico
1013980	DMAK-0024E	Airvisor 2 MV Kit industrial
1013983	DAWK-4001E	Airvisor Series 2 FV - Kit de soldadura
1013987	DAWK-4011E	Airvisor Series 2 W - Kit de soldadura
1765058	DAVK-0001E-DAC	Airvisor 2 Kit de pulverización de pintura conector doble acción
1765059	DAVK-0003E-DAC	Airvisor 2 Kit químico conector doble acción
1765060	DAVK-0004E-DAC	Airvisor 2 Kit industrial conector doble acción
1765061	DMAK-0021E-DAC	Airvisor 2 MV Kit conector de pulverización de pintura doble acción
1765062	DMAK-0023E-DAC	Airvisor 2 MV Kit químico conector doble acción
1765063	DMAK-0024E-DAC	Airvisor 2 MV Kit industrial conector doble acción
1765064	DAWK-4001E-DAC	Airvisor Series 2 FV - Kit de soldadura conector doble acción
1765065	DAWK-4011E-DAC	Airvisor Series 2 W - Kit de soldadura conector doble acción

Piezas capuz (completo):

1013936	DAVK-0051E	Para el uso con DAVK-0001/03E
1013937	DAVK-0052E	Para el uso con DAVK-0004E
1013981	DMAK-0071E	Para el uso con DMAK-0021/23E
1013982	DMAK-0072E	Para el uso con DMAK-0024E
1013986	DAWS-4101E	Para el uso con DAWK-4001E
1013988	DAWS-4201E	Para el uso con DAWK-4011E

Piezas bloques reguladores (completos):

1013989	DAVW-1001E	Para el uso con DAVK-0001E y DMAK-0021E
1013990	DAVW-1003E	Para el uso con DAVK-0003/04E y DMAK-0023/24E y DAWK-4001/11E
1765066	DAVW-1001E-DAC	Para el uso con DAVK-0001E-DAC y DMAK-0021E-DAC
1765067	DAVW-1003E-DAC	Para el uso con DAVK-0003/04E-DAC y DMAK-0023/24E-DAC y DAWK-4001/11E-DAC

Piezas de recambio y accesorios (como indicado en el esquema del producto):

Nº	Artículo n°	Descripción
1	1028821	Casco de capuz con cinta para la cabeza para Airvisor 2 modelos DAVK
2	1028822	Casco de capuz con cinta para la cabeza para Airvisor 2 MV modelos DMAK
3	1028823	Conjunto cinta para la cabeza para Airvisor Series 2 FV- Kit de soldadura
4	1028824	Protección y cinta para la cabeza para Airvisor Series 2 W - Kit de soldadura
5	1028825	Manguera de alimentación Airvisor 2 y conjunto difusor para todos los modelos
6	1028826	Visor de acetato (resistencia química) para un uso con DAVK-0001/03E
6	1028827	Visor de policarbonato (resistencia a los impactos) para un uso con DAVK-0004E
7	1001775	Visor de acetato (resistencia a los impactos) para un uso con DMAK-0021/23E (paquete de 5)
7	1001774	Visor de policarbonato (resistencia a los impactos) para un uso con DMAK-0024E (paquete de 5)
	1028870	Cintas de sellado para visor para un uso con los artículos 7 (paquete de 10)
8	1028828	Visor interior policarbonato (resistencia a los impactos) para un uso con DAWK-4001E
9	1001732	Protecciones para visor desechables para un uso con todos los modelos DAVK (paquete de 10)
9	1001731	Protecciones para visor desechables para un uso con todos los modelos DAVK (paquete de 50)
10	1001778	Protecciones para visor desechables para un uso con todos los modelos DMAK (paquete de 10)
10	1001779	Protecciones para visor desechables para un uso con todos los modelos DMAK (paquete de 50)
11	1001749	Cubre visor desechable para un uso con DAWK-4001E (paquete de 10)
12	1013994	Conjunto de faldón inferior en tejido para modelos DMAK (paquete de 5)
13	1001748	Conjunto de sellado facial tela para DAWK-4001E
14	1013994	Casete de sellado facial tela para DAWK-4011E (paquete de 5)
15	1001750	Máscara de soldadura para DAWK-4001E
16	1005103	Máscara de soldadura para DAWK-4011E
17	1001725	Mini conector rápido alto caudal
18	1028829	Conjunto regulador para Airvisor 2 para todos modelos excepto DAC
18	1765068	Conjunto regulador para Airvisor 2 para todos modelos DAC
19	1001672	Cartucho de carbono para todos modelos
20	1001674	Compartimento para bloque regulador y cinturón en tejido
21	1028830	Conector rápido Airvisor 2 (excepto DAC) especial alto caudal
21	1765069	Conector rápido doble acción Airvisor 2 (DAC) especial alto caudal
22	1028831	Enchufe para conector rápido alto caudal Airvisor 2
23	1001726	Manguera BlueLine 3.5m (modelos no DAC Airvisor 2)
23	1001727	Manguera BlueLine 7.5m (modelos no DAC Airvisor 2)
23	1004716	Manguera BlueLine 10m (modelos no DAC Airvisor 2)
23	1765070	Manguera de alimentación de aire Verde de 3.5m (para DAC Airvisor 2)
23	1765071	Manguera de alimentación de aire Verde de 7.5m (para DAC Airvisor 2)
23	1765072	Manguera de alimentación de aire Verde de 10m (para DAC Airvisor 2)
24	1001683	Manguera de aire para pistola de pulverización (1.2m) para un uso con DAVK-0001E y DMAK-0021E
25	1001733	Capuz desechable en tejido para un uso con todos los modelos DAVK & DMAK (paquete de 5)
26	1001676	Protección para la cabeza y el cuello en tejido desechable para un uso con todos los modelos DAVK & DMAK (paquete de 5)
27	1001754	Protección para cabeza y cuello resistente al fuego para un uso DAWK-4011E
28	1001738	Bolsa de almacenamiento en tejido para todos los modelos

ÕHKVARUSTUSEGA RESPIRAATORI KASUTUSJUHENDID PALUN HOIDKE HILISEMAKS KASUTAMISEKS ALLES



Ärge kasutage seadet enne nende juhendite lugemist ja tootekoolituse saamist.

JUHENDID KASUTAMISEKS JA HOOLDAMISEKS



- Airvisor 2 perekonna toodetes suunatav suruõhk peab olema hingamiskõlbliku kvaliteediga, mis vastab normatiivile EN 12021. Honeywell soovib vastavuse tagamiseks kasutada Clearflow filtrisüsteeme. Õhukvaliteeti tuleb sobivate testimisseedmete abil regulaarselt kontrollida. Enne tööpiirkonda sisenemist, järgige järgmisi juhendeid.
- Airvisor 2 DAC (double action couplings – kahetoimelised liitmikud) mudelid võimaldavad kasutada suruõhu toite jaoks spetsiifilisi kahetoimelisi liitmikke, moodustades spetsiifilise ühendusformaadi ja tagades täiendava kaitse soovimatu lahtiühendumise korral.

KASUTAMISELE EELNEV KONTROLL

- Kontrollige hoiatusvile toimimist veendumaks, et respiraatorit varustatakse õige õhukogusega (lugege allpool olevaid juhiseid).
- Kontrollige ega ükski varustuse osa ei ole kahjustunud, erilist tähelepanu pöörake voolikule, visiiri toitetorule ja näokaitsele.
- Ärge kasutage respiraatorit, kui näokaitse või difuuser õhutoite torul on kahjustunud, kuna need mõjutavad kaitset.
- Veenduge, et visiiri kate võimaldab head nähtavust.

VARUSTUSE SELGAPANEK

- Kinnitage vöökomplekt ümber oma talje ja kohandage see mugavaks. Vajadusel tõmmake visiiri moodulile riidest kapuuts (25).
- Hoidke visiiri (6, 7, 8) üleval ja sättige pealae rihm ja peapael tugevalt ümber pea.
- Ühendage visiiri õhutoitoru (5) miniatuursesse suure läbilaskega kiirliitmiku pistikusse (17).
- Valige õhuvoolikule (23) sobiv pikkus, maksimaalselt kuni 10 meetrit ja ühendage suure läbilaskega kiirliitmiku pistik voolikule vöökomplekti olevasse õhusisendisse (21).
- Ühendage teine ots filtreeritud õhutoitega.



Kui kasutate Airvisor 2 DAC mudeleid, kasutage rohelist õhutoitevoolikut. Standardsete Airvisor 2 mudelite jaoks kasutage siniseid voolikuid.

Vajadusel ühendage õhutoitega tööriist (24) vöökomplekti õhuväljundisse (22).

Lülitage õhutoide sisse ja kasutage vöökomplekti sisendil survet vahemikus 4,5 baari (61 psi) kuni 7 baari (102 psi) (vaadake Toite survetabelit pöördele). Kontrollige, ega õhk ei leki. Kui kõlab hoiatusvile, suurendage sisendsurvet, kuni see vaib. Juhul, kui vile surve tõstmise jooksul ei vaiki, lülitage õhutoide välja ja käivitage peale surve reguleerimist uuesti.

Palun pidage meeles, et Airvisor 2 ja Airvisor 2 MV komplekte kasutatakse koos õhutoitega tööriistaga võib pihustiga, mis nõuavad suuremat sisendsurvet (seetõttu tuleb täiendavalt kontrollida). Sel viisil töötades, tuleb tööriista enne respiraatori kandmist käivitada - kui nendel tingimustel vabastatakse hoiatusvile, tuleb sisendsurvet tõsta, kuni vile vaib. Sellega tagatakse, et õhku on piisavalt nii visiiri respiraatori, kui lisatööriista või pihusti jaoks.

Laske visiir alla, vajadusel kohandage pealae rihma ja peapaela, et tagada näokaitse optimaalselt paigutamist näo ümber. Kontrollige, ega naha ja näokaitse vahel ei ole silmaga nähtavaid tühikuid. Kui leiate tühikud, kohandage seadet veelkord, kuni need on suletud. Nüüd olete valmis sisenema saastatud piirkonda. Palun pidage meeles: kui hoiatusvile hakkab normaalsetes töötingimustes viilistama, näitab see, et visiiri respiraatorisse ei voola piisavalt õhku - lahkuge koheselt saastatud piirkonnast, seejärel eemaldage visiir - suurendage sisendsurvet sobiva tasemeni.

Õhutoitoru ja difuusori mooduli välja vahetamine (kõik mudelid):

- Kui õhutoitoru (5) on kulunud või kahjustunud, tuleb see lekete vältimiseks välja vahetada.
- Ühendage toru selle kinnituskohadest lahti (kinnitatud säiku peadetaili taga ja paigaldatud kahe läbipaistva hoidetihvtiga) ja tõmmake difuuser selle keskele paigaldatud kumerast hoidikust pärast korgi eemaldamist välja.
- Paigaldage uus moodul, sisestades vahmaterjalist difuusori ettevaatlikult kumerasse hoidikusse ja kinnitades korgi oma kohale.
- Kinnitage õhutoitoru visiirile/raamile kahe hoidetihvti abil tagasi, kontrollige, kas toru paigutus peadetailis olevasse säiku.

Äravisatava visiirikatte välja vahetamine (kõik mudelid):

- Viige visiiri kate (9/10/11) üle visiiri mõlemal küljel olevate metallvarraste.

Visiiri välja vahetamine (DAVK-000*E ja DAWK-4001E mudelid):

- Vabastage visiiri õhutoitoru (5) laubakaitsmelt.
- Hoides laubakaitsmest kinni, vajutage visiiri (6) ülemist osa pöidla ja nimetissõrme abil tugevalt väljastpoolt sissepoole.
- Vabastage visiiri lukuaugu kujulised avad laubakaitsmel mõlemal pool asuvateilt tihvtidelt.
- Kui visiiri õhutoitoru soovitakse uuesti kasutada, vabastage toru visiiri siseküljelt kahe läbipaistvat hoidetihvti ettevaatlikult välja lükkates, muul juhul jäätmesstage nii visiir, kui ka toru.
- Kokkupanekuks, viige õhutoru kiirliitmikku läbi visiiri vahmaterjalis oleva augu ülespoole.
- Kinnitage õhutoitoru kahe läbipaistva hoidetihvti abil visiiri ja keskele paigaldatud kumera hoidiku külge.
- Juhtige sinised laubakaitsme tihvtid võtmeaugu kujulistesse aukudesse visiiri ülaosas ja vajutage tugevalt, pöörake laubakaitsme suunas ja klammerdage kohale.

Näokaitsme kasseti välja vahetamine (DMAK-002*E ja DAWK-4011E mudelid):

- Hoidke pahupidi pööratud Airvisorit käevarrel ja hoidke valatud raamist.
- Hoidke vaba käega näokaitsme kasseti põhjast ja tõmmake ühe kiire liigutusega visiidist eemale.
- Asetage asenduskaassett (12, 14) visiiri alla.
- Alustage ühest otsast ja liikudes ümber raami vajutage kaassetti visiiri raami sisse. Riidest detailide korral, viige vabad otsad läbi peapaela sisemuse, seejärel pöörake need alla, peapaelast väljapoole, kinnitage survetihvt kasutades nende endi tagaküljele - kui te ei ole kindel, siis uurige enne lahti monteerimist olemasolevat konfiguratsiooni.
- Kassetti tuleb vahetada, kui sellel on mistahes märke kahjustustest või sellele on ladestunud tolmu või mustust.

Visiiri välja vahetamine (DMAK-002*E ja DAWK-4011E mudelid):

- Kontrollige, ega vahtmaterjalist tihendusribad ei ole kahjustunud, vajadusel vahetage välja.
- Eemaldage visiir seda sissepoole vajutades.
- Juhtige visiiri külglapatsid visiiri ümbristvasse pilusse, tagades, et ülemine serv asub laubakaitsme soones.
- Viige visiir (7) visiiri ümbristvasse kumerusse ja juhtige lõpuks alumised lapatsid lõukaitsme piludesse.

Keevitusfiltri välja vahetamine/kinnitamine (ainult keevituskomplektid)

DAWK-4001E:

- Kruvige maski sisemusest lahti läätse klambri kruvid.
- Eemaldage katteplaadid ja filter.
- Vajadusel vahetage filter välja.
- Paigaldage klamber ja kruvid tagasi.

DAWK-4011E:

Juhul, kui teil on W-seria keevituskomplekt, tekib ligipääs akna kinnitussüsteemile keevitusmaskilt väljastpoolt, pärast helesinine välikskatte eemaldamist. Tumestatud akn klaasimoodulit hoitakse paigal painduva klambrisüsteemiga.

Sõepadruni välja vahetamine:



Sõepadrunit (19) tuleb vahetada, kui tuvastate lõhna tekke või 1000 kasutustunni järel (maksimaalne).

- Vabastage vöö õhutoitel, eemaldage kõik ühendatud voolikud ja eemaldage kolm kinnituskruvi.
- Kallutage ettepoole ja eemaldage regulaatori moodul ning keerake vöö sõepadruni eemaldamiseks pahupidi.
- Kinnitage asenduspadruni ülemisele ja alumisele otsale rõngastihendid.
- Paigaldage see korpusesse ja pange must lapats regulaatoriplokki vöö korpuse alumises pooles olevasse pilusse.
- Keerake kruvid uuesti kinni ja taasühendage õhutoide.
- Kontrollige õhulekkeid.



Kui paigaldate varuosi, kasutage optimaalse kaitse säilitamiseks ainult Honeywelli detaile.

PUHATAMINE JA DESINFITSEERIMINE PÄRAST IGA KASUTUSKORDA

- Eemaldage õrnas desinfitseerimisvahendis või vedelseebi lahuses niisutatud lapiga seadmelt tolm ja mustus.
- Ärge sukeldage seadet vedelikku.
- Ärge kasutage lahusteid või lahustamata pesuvahendeid, mis võivad seadet kahjustada.
- Ärge kasutage abrasiivseid puhastusvahendeid, mis võivad kahjustada seadme pinda või krimustada visiiri.
- Laske hästiventileeritavas kohas, otseste päiksekirguse ja kõrge temperatuuri allikate või soojuskirguse eest kaitstult, täielikult kuivada.
- Pange seade pärast puhastamist ja desinfitseerimist hoikukotti (28).



- **Airvisor 2 perekonna toodetesse suunatav suruõhk peab olema hingamiskõlbuliku kvaliteediga, ning vastama vastab normatiivile EN 12021.**
- **Tagage sissehingatava õhu niiskusesisalduse püsimine normatiivis EN 12021 sätestatud vahemikus, et vältida õhu külmumist seadmes madalate temperatuuride juures.**
- **Eriti hoolikas tuleb olla selle tagamisel, et seadet ei ühendataks töökohal olevate alternatiivsete õhuvooliku süsteemidega, mis juhvivad hingamisõhu kvaliteedist erineva kvaliteediga gaase.**
- **Seadet ei või ühendada hapnikutoite või hapnikuga rikastatud õhutoitega.**
- **Kui õhutoitesüsteemiga on ühendatud mitu kasutajat, tagage, et süsteemil oleks piisav võimsus kõikide kasutajate varustamiseks.**
- **Honeywell BlueLine õhuvoolikute (standardne Airvisor 2) või rohelise vooliku (Airvisor 2 DAC) ja suure läbilaskega liitmike kasutamine on sertifikaadi lahutamatu osa, ärge kasutage ühtki teist tüüpi voolikuid ega kohandage voolikuid, mis ei ole mõeldud teie seadmega kasutamiseks.**
- **Toitevooliku pikkus A klassi seadmetele on 10 meetrit, hõlmates ühte tervikvoolikut. Lühemaid voolikuid ei või maksimaalse pikkuse saavutamiseks üksteisega kokku ühendada.**
- **Maksimaalne töösurve (nimisurve) Honeywelli suruõhuvoolikutele on 10 baari.**
- **Ei sobi kasutamiseks keskkonnas, mille temperatuur on üle 35° C, ärge jätke varustust puitsismikambrisse, kui see lülitatakse ümber kuivatusahjule.**
- **Ärge kasutage oludes, kus kasutaja võib saada kaitseta olles pöördumatuid kahjustusi ega hapnikuvaeses keskkonnas.**
- **Väga kõrge töökoormuse juures võib rõhk peaosa sisemuses muutuda sügavalt sisse hingates negatiivseks.**
- **Kui viibite saastatud piirkonnas, kontrollige, kas visiid on lukustatud langetatud asendisse ja lahkuge koheselt ohupiirkonnast, kui kahtlustate tõrget või kõlab hoiatusvile.**
- **Kaitse salumetall eest on tagatud ainult siis, kui kasutatakse äraravisatavaid visiid katteid.**
- **Kus kohane, tähistus F1 näitab, et seadet ja suruõhu toitetoru võib kasutada olukordades, kus on kõrge tuleoht.**
- **Seade ei pruugi pakkuda piisavat kaitset teatud kõrgelt toksilistes atmosfäärides. Kasutaja vastutuseks on tagada, et seade on teostatava töö jaoks sobiv ja sobib individuaalsele kasutajale. Palun lugege juhendimiseks kohalikku seadusandlust.**

Minimaalsed toitesurved suruõhutoite vooliku sisendil:			
		Toitesurve baarides (psi)	
Toitevooliku ava (mm)	Vooliku pikkus (m)	DAVK-0001E DMAK-0021E	DAVK-0003E, 0004E DMAK-0023E, 0024E DAWK-4001E, 4011E
8	3,5 7,5 10	5,3 baari (77 psi) 5,4 baari (79 psi) 5,5 baari (80 psi)	4,5 baari (61 psi) 4,6 baari (63 psi) 4,7 baari (64 psi)



- **Maksimaalne toitevooliku pikkus 10 meetrit.**
- **DAVK-0001E ja DMAK-0021E korral, kui hoiatusvile kõlab kogu aeg, kui kasutatakse lisatööriista või puhustuspüstolit, suurendage sisendsurvet, kuni vile vaibub. See tagab, et teil on piisavalt õhku peadetaali jaoks ja teie ohutus säilib.**

TEHNILISED ANDMED

Sertifitseerimine / tunnustamine	CE sertifikaat (CE 0194)
Standardne / vastavus	EN 14594:2005 (Kerge võimsusega Klass A)
Nominaalsed kaitsefaktorid	Klass 3 = 200 DAWK mudelid Klass 4 = 2000 DAVK & DMAK mudelid
Visiir: Kemikaalikiindel Löögiikiindel	EN 166.2.F EN 166.2.B.9
Tootja minimaalne kavandatud voolukogus Maksimaalne voolukogus	260 l/min 290 l/min
Töösurve	4,5 bar (61 psi) kuni 7,0 bar (102 psi)
Maksimaalne töötemperatuur	35°C
Sõepadrun	Vahetage 1000 tunni järel või kui tajute peadetaillis lõhna

KAITSEFAKTORID

Määratud kaitsefaktor 40 tähendab, et respiraatorit võib kasutada kuni 40 X töökeskkonna piirnõrmi ületava saastusega piirkondades. Teistes geograafilistes piirkondades, tutvuge palun riiklike või piirkondlike regulatsioonide või juhenditega, mis muudavad kaitsefaktori väärtust, mida teil on lubatud kasutada hingamisteede kaitsevahendite valimiseks.

AIRVISORI RESPIRAATORI SÜSTEEMID

Artikli nr	osa nr	Kirjeldus
1013932	DAVK-0001E	Airvisor 2 värvipritsi komplekt
1013934	DAVK-0003E	Airvisor 2 keemiakomplekt
1013935	DAVK-0004E	Airvisor 2 tööstuslik komplekt
1013938	DMAK-0021E	Airvisor 2 MV värvipritsi komplekt
1013939	DMAK-0023E	Airvisor 2 MV keemiakomplekt
1013980	DMAK-0024E	Airvisor 2 MV tööstuslik komplekt
1013983	DAWK-4001E	Airvisor 2 FV-seeria keevituskomplekt
1013987	DAWK-4011E	Airvisor 2 W-seeria keevituskomplekt
1765058	DAVK-0001E-DAC	Airvisor 2 värvipritsi komplekt kahetoimelise konnektoriga
1765059	DAVK-0003E-DAC	Airvisor 2 keemiakomplekt kahetoimelise konnektoriga
1765060	DAVK-0004E-DAC	Airvisor 2 tööstuslik komplekt kahetoimelise konnektoriga
1765061	DMAK-0021E-DAC	Airvisor 2 MV värvipritsi komplekt kahetoimelise konnektoriga
1765062	DMAK-0023E-DAC	Airvisor 2 MV keemiakomplekt kahetoimelise konnektoriga
1765063	DMAK-0024E-DAC	Airvisor 2 MV tööstuslik komplekt kahetoimelise konnektoriga
1765064	DAWK-4001E-DAC	Airvisor 2 FV-seeria keevituskomplekt kahetoimelise konnektoriga
1765065	DAWK-4011E-DAC	Airvisor 2 W-seeria keevituskomplekt kahetoimelise konnektoriga

Tagavara peadetailid (terviklikud):

1013936	DAVK-0051E	Kasutamiseks koos DAVK-0001/03E
1013937	DAVK-0052E	Kasutamiseks koos DAVK-0004E
1013981	DMAK-0071E	Kasutamiseks koos DMAK-0021/23E
1013982	DMAK-0072E	Kasutamiseks koos DMAK-0024E
1013986	DAWS-4101E	Kasutamiseks koos DAWK-4001E
1013988	DAWS-4201E	Kasutamiseks koos DAWK-4011E

Tagavara vööd (terviklikud):

1013989	DAVW-1001E	Kasutamiseks koos DAVK-0001E ja DMAK-0021E
1013990	DAVW-1003E	Kasutamiseks koos DAVK-0003/04E ja DMAK-0023/24E ja DAWK-4001/11E
1765066	DAVW-1001E-DAC	Kasutamiseks koos DAVK-0001E-DAC ja DMAK-0021E-DAC
1765067	DAVW-1003E-DAC	Kasutamiseks koos DAVK-0003/04E-DAC ja DMAK-0023/24E-DAC ja DAWK-4001/11E-DAC

Varuosad ja lisatarvikud (nagu näidatud toote joonistel):

Nr	Artikli nr	Kirjeldus
1	1028821	Laubakaitse ja peapael Airvisor 2 DAVK mudelite jaoks
2	1028822	Laubakaitse ja peapael Airvisor 2 MV DMAK mudelite jaoks
3	1028823	Peapaela moodul Airvisor 2 FV-seeria keevituskomplektile
4	1028824	Näokaitse ja peapael Airvisor 2 W-seeria keevituskomplektile
5	1028825	Airvisor 2 õhutoiteturu ja difuusori moodul kõikidele mudelitele
6	1028826	Atsetaadist visiir (keemiakindel) kasutamiseks koos DAVK-0001/03E
6	1028827	Polükarbonaadist visiir (löögikindel) kasutamiseks koos DAVK-0004E
7	1001775	Atsetaadist visiir (keemiakindel) kasutamiseks koos DMAK-0021/23E (pakis 5 tk)
7	1001774	Polükarbonaadist visiir (löögikindel) kasutamiseks koos DMAK-0024E (pakis 5 tk)
	1028870	Visiiri tihendribad, kasutamiseks koos numbriga 7 (pakis 10 tk)
8	1028828	Polükarbonaadist sisevisiir (löögikindel), kasutamiseks koos DAWK-4001E
9	1001732	Äravisatavad visiiri katted, kasutamiseks kõikide DAVK mudelitega (pakis 10 tk)
9	1001731	Äravisatavad visiiri katted, kasutamiseks kõikide DAVK mudelitega (pakis 50 tk)
10	1001778	Äravisatavad visiiri katted, kasutamiseks kõikide DMAK mudelitega (pakis 10 tk)
10	1001779	Äravisatavad visiiri katted, kasutamiseks kõikide DMAK mudelitega (pakis 50 tk)
11	1001749	Äravisatavad visiiri katted, kasutamiseks koos DAWK-4001E (pakis 10 tk)
12	1013994	Riidedest näotihendi kassett DMAK mudelite jaoks (pakis 5 tk)
13	1001748	Kangast näotihendi moodul DAWK-4001E jaoks
14	1013994	Kangast näotihendi kassett DAWK-4011E jaoks (pakis 5 tk)
15	1001750	Keevitusmask DAWK-4001E jaoks
16	1005103	Keevitusmask DAWK-4011E jaoks
17	1001725	Miniatuurne suure läbilaskega kiirliitmik
18	1028829	Airvisor 2 regulaatori moodul kõikide mitte-DAC mudelite jaoks
18	1765068	Airvisor 2 regulaatori moodul kõikide DAC mudelite jaoks
19	1001672	Sõepadrunid kõikidele mudelitele
20	1001674	Vöökorpus ja riidedest vöö
21	1028830	Airvisor 2 (mitte-DAC) spetsiaalne suure läbilaskega kiirliitmiku pistik
21	1765069	Airvisor 2 (DAC) spetsiaalne suure läbilaskega kiirliitmiku kaheharuline pistik
22	1028831	Airvisor 2 suure läbilaskega kiirliitmiku pistikupesa
23	1001726	Blueline õhutoitevoolik 3,5 m (mitte-DAC Airvisor 2 jaoks)
23	1001727	Blueline õhutoitevoolik 7,5 m (mitte-DAC Airvisor 2 jaoks)
23	1004716	Blueline õhutoitevoolik 10 m (mitte-DAC Airvisor 2 jaoks)
23	1765070	Roheline õhutoitevoolik 3,5 m (DAC Airvisor 2 jaoks)
23	1765071	Roheline õhutoitevoolik 7,5 m (DAC Airvisor 2 jaoks)
23	1765072	Roheline õhutoitevoolik 10 m (DAC Airvisor 2 jaoks)
24	1001683	Pihustuspüstoli õhuvoolik (1,2 m) kasutamiseks koos DAVK-0001E ja DMAK-0021E
25	1001733	Äravisatavad riidedest kapuutsid, kasutamiseks kõikide DAVK ja DMAK mudelitega (pakis 5 tk)
26	1001676	Äravisatavad riidedest pea- ja kaelakatted, kasutamiseks kõikide DAVK ja DMAK mudelitega (pakis 5 tk)
27	1001754	Mittesüttiv pea- ja kaelakate, kasutamiseks koos DAWK-4011E
28	1001738	Riidedest hoikott kõikide mudelite jaoks

ILMAA SYÖTTÄVÄN HENGITYSLAITTEEN KÄYTTÖOHJEET SÄILYLTÄ MYÖHEMPÄÄ TARVETTA VARTEN



Älä käytä laitetta ennen kuin olet lukenut nämä ohjeet ja olet saanut koulutusta laitteen käyttöön.

KÄYTTÖ- JA HUOLTO-OHJEET



- Airvisor 2 -tuoteperheeseen syötettävän paineilman on oltava laadultaan hengitettävää ja standardin EN 12021 mukaista. Yhteensopivuuden varmistamiseksi Honeywell suosittelee Clearflow-suodatinjärjestelmien käyttämistä. Ilman laatu on tarkistettava aika ajoin tarkoitukseen sopivalla testilaitteistolla. Noudata seuraavia ohjeita ennen työskentelyalueelle menemistä.
- Kaksitoimikymillä varustetut Airvisor 2 DAC -mallit tarjoavat paineilman syöttämiseen erityiset kaksitoimiliittimet, jotka antavat lisäsuojaa odottamattomien yhteydenkatkeamisten varalta.

TARKASTUKSET ENNEN KÄYTTÖÄ

- Varmista hengityslaitteeseen syötettävästä oikeasta ilmamäärästä kertovan varoituspillin toiminta (ks. ohjeet alempana).
- Tarkasta koko laitteisto vaurioiden varalta, kiinnitä erityistä huomiota ilmaletkuun, visiirin syöttöputkeen ja helmaan.
- Älä käytä hengityslaitetta, jos visiirin helma tai ilmansyöttöputken diffuusiori ovat vaurioituneet, sillä se voi vaikuttaa suojauksen tasoon.
- Varmista, että visiirin kansi mahdollistaa hyvän näkyvyyden.

VARUSTUKSEN YLLEPUKEMINEN

- Varmista työtarille tuleva vyökokoanpano ja säädä vyö sopivaksi. Pue tarvittaessa ylle visiirikokoanpanon mukana tuleva kangashuppu (25).
- Pidä visiiri (6, 7, 8) koholla ja säädä kantohihna ja otsanauha sopivan tiukalle.
- Työnnä visiirin ilmansyöttöputken pää (5) voimakkaan virtaaman miniatyriin pikalukituskantaan (17).
- Valitse sopiva, enintään 10 metrin pituinen ilmaletku (23) ja liitä letkun voimakkaan virtaaman pikalukituskanta vyökokoanpanon ilmanottoaukkoon (21).
- Liitä toinen pää suodattimella varustettuun ilmansyöttöön.



Käytä mallin Airvisor 2 DAC kanssa vihreää ilmansyöttöletkua. Käytä Airvisor 2 -vakiomallien kanssa sinisiä letkuja.

Kytke tarvittaessa ilmakäyttöinen työkalu (24) vyökokoanpanon ilmanostuloaukkoon (22).

Kytke vyökokoanpanon ilmanotossa ilmansyöttö päälle ja säädä paine välille 4,5 (61 psi) - 7 baaria (102 psi) (ks. sisäänmenopaineen kaavio). Varmista, että ilmavuotoja ei ole. Jos varoituspilli soi, lisää syöttöpainetta niin kauan että pilli lakkaa soimasta. Jos pilli ei lakkaa soimasta paineen lisäyksestä huolimatta, sulje ilmansyöttö ja aloita uudelleen paineen säätämisen jälkeen.

Ota huomioon, että apuna käytettävän ilmatyökalun, tai ruiskupistoolin, kanssa käytettävät Airvisor 2 ja Airvisor 2 MV -sarjat vaativat korkeammat syöttöpaineet (lisätarkastus on siten tarpeen). Tällä tavoin työskennellessä työkalua on käytettävä ennen hengityslaitteen päällepukemista - jos varoituspilli soi näissä olosuhteissa, lisää painetta niin kauan että pilli lakkaa soimasta. Tällä varmistetaan, että ilmaa on riittävästi sekä hengityslaitteen visiirille että aputyökalulle tai ruiskupistoolille.

Laske visiiriä, säädä tarvittaessa kantohihnaa ja otsanauhaa, jotta visiirin helma asetuisi mahdollisimman hyvin kasvojen ympärille. Tarkista, jääkö ihon ja visiirin helman väliin aukkoja. Jos aukkoja on, säädä laite uudelleen kunnes aukot katoavat. Voit nyt mennä saastuneelle alueelle. Huomaa: jos varoituspilli soi normaaleissa työskentelyolosuhteissa, se on merkki siitä, että hengityslaitteen visiirin ei virtaa tarpeeksi ilmaa –poistu silloin viipymättä saastuneelta alueelta, riisu sen jälkeen visiiri - lisää syöttöpaine sopivalle tasolle.

Ilmansyöttöputken ja diffuusiorkokoanpanon vaihtaminen (kaikki mallit):

- Jos ilmansyöttöputki (5) on kulunut tai vaurioitunut, se on vaihdettava vuotojen välttämiseksi.
- Irrota putki kiinnityspisteistään (kiinnitettynä pääkappaleen takaosassa olevaan loveen ja asennettuna kahteen tukitappiin) ja vedä suojakorin poistamisen jälkeen diffuusiori keskelle asennetusta kaarevasta pidikkeestään.
- Asenna uusi kokoonpano kiinnittämällä vaahotuovinen diffuusiori varovasti kaarevaan pidikkeeseen ja laittamalla suojakorkki takaisin paikalleen.
- Kiinnitä kahta tukitappia käyttämällä ilmansyöttöputki visiiriin/kehukseen ja varmista, että putki asettuu pääkappaleessa olevaan loveen.

Visiirin kertakäyttöisten suojakalvojen vaihtaminen (kaikki mallit):

- Aseta visiirin suojakalvo (9/10/11) visiirin molemmilla sivuilla oleviin metallisiin neppareihin.

Visiirin vaihtaminen (DAVK-000*E & DAWK-4001E-mallit):

- Irrota visiirin ilmansyöttöputki (5) otsasuojasta.
- Paina visiirin (6) ylösosaan luja peukalolla ja etusormella, otsasuojuksesta koko ajan kiinni pitäen, ulkoa sisäänpäin.
- Avaa visiirin avaimenreikäraot molemmin puolin sijaitsevista sinisistä otsasuojatapeista.
- Jos visiirin ilmansyöttöputki on tarkoitus käyttää uudestaan, irrota putki visiirin sisäpuolelta vetämällä molemmat pidiketapit varovasti ulos, muussa tapauksessa heitä pois sekä visiiri että putki.
- Kokoamiseksi, vie ilmaputken pikalukitusliitin ylöspäin visiirin vaahotuovinen reiän läpi.
- Kiinnitä visiirin ilmansyöttöputki visiiriin kahdella pidiketapilla ja keskelle asennettulla kaarevalla pidikkeellä.
- Aseta siniset otsasuojatapit visiiriin ylösosassa sijaitseviin avaimenreikäraikoihin, kierrä sen jälkeen voimakkaasti painamalla otsasuojasta päin ja napsauta paikolleen.

Visiirin helmakasetin (DMAK-002*E ja DAWK-4011E-mallit) vaihtaminen:

- Heilauta ylösalaisin olevaa Airvisoria kädessä ja pidä kiinni kehikosta.
- Pidä vapaalla kädellä kiinni visiirin helmakasetin alaosasta ja nykäise pois visiiristä.
- Kohdista vaihtokasetti (12, 14) visiiriin alla.

- Napsauta kasetti visiiriin kehiköön siten, että aloitat toisesta päästä ja etenet kehikon ympäri. Varmista, että kangasosien vapaat päät menevät otsanauhan sisäkautta, taita sitten alas otsanauhan ulkopuolella ja liitä neppareilla ylös takaisin itseensä - jos olet epävarma, katso olemassa olevaa kokoonpanoa ennen purkamista.
- Kasetti on vaihdettava heti kun ilmenee merkkejä vaurioista tai pölyä tai likaa alkaa kertyä.

Visiirin vaihtaminen (mallit DMAK-002*E ja DAWK-4011E):

- Tarkista vaahtomuoviivisteet vaurioiden varalta, vaihda tarvittaessa.
- Poista visiiri työntämällä sitä sisältä päin.
- Aseta visiirin sivuliiska visiirin kehiköön rakoon varmistaen samalla, että yläreuna asettuu otsasuojan uraan.
- Kiinnitä visiirin (7) pyöreä kehys ja aseta lopuksi alemmat liuskat leukasuojuksen rakoihin.

Hitsausuudattimen (ainoastaan hitsauslaitteistot) vaihtaminen/asentaminen

DAWK-4001E:

- Kierrä auki linssien kiinnikkeen ruuvit vaipan sisältä.
- Poista suojalevyt ja suodatin
- Vaihda suodatin tarvittaessa
- Vaihda kiinnike ja ruuvit.

DAWK-4011E:

Jos kyseessä on W-sarjan hitsauslaitteisto, visiirin kiinnitykseen pääsee käsiksi hitsausvaipan ulkopuolelta, vaaleansinisen ulomman suojan poistamisen jälkeen. Tummennettua lasia olevaa visiirikokoonpanoa pitää paikallaan joustava klipsikiinnitys.

Hiilikasetin vaihtaminen:



Hiilikasetti (19) pitää vaihtaa, jos hajua alkaa ilmetä, tai 1000 käyttötunnin jälkeen (maksimi).

- Irrota vyö ilmansyötöstä, samoin kaikki letkuliitännät ja kolme kiinnitysruuvia.
- Kallista eteenpäin ja irrota säätölaittekokoonpano ja käännä vyö ylösalaisin hiilikasetin poistamiseksi.
- Kiinnitä O-tiivisteet vaihtokasetin ylä- ja alaosaan.
- Sijoita säätökokoonpanon musta kiinnike vyökotelon alemmassa puoliskossa olevaan rakoon.
- Kierrä kiinnitysruuvit takaisin ja kytkie ilmansyöttöön.
- Tarkista ilmavuotojen varalta.



Käytä vain Honeywellin varaosia optimaalisen suojan varmistamiseksi.

PUHDISTUS JA DESINFOINTI PUHDISTA ILMAHUPPU

- Poista laitteesta pöly ja lika miedolla desinfiointiaineella tai saippualluokseen kostutetulla liinalla.
- Älä upota laitetta nesteeseen.
- Älä käytä liuotinta tai laimentamatonta pesuainetta, joka voisi vahingoittaa laitetta.
- Älä käytä hankaavia puhdistusaineita, jotka voivat vahingoittaa laitteen pintaa tai naarmuttaa visiiriä.
- Anna kuivua täysin hyvin ilmastoidussa tilassa, poissa suorasta auringonvalosta ja kaukana korkean lämpötilan tai lämpösäteilyn lähteistä.
- Säilytä laitetta puhdistuksen ja desinfiointin jälkeen omassa säilytyslaukussaan (28).



- Airvisor 2 -tuoteperheeseen kuuluviin tuotteisiin syötettävän paineilman on oltava laadultaan hengittävää ja standardin EN 12021 mukaista.
- Varmista, että hengitysilman kosteuspitoisuutta ohjataan standardin EN 12021 asettamin rajoin, jotta vältyttäisiin alhaisten lämpötilojen mukanaan tuomilta ongelmilta.
- Erityistä varovaisuutta on noudatettava siinä, että laitetta ei liitetä työpisteen vaihtoehtoiseen paineilmajärjestelmään, joka toimittaa muita kaasuja kuin hengitysilmaa.
- Laitetta ei saa liittää hapen tai rikastetun ilman syöttöön.
- Jos ilmansyöttöjärjestelmään on liitetty useampi kuin vain yksi käyttäjä, varmista, että järjestelmä kykenee syöttämään ilmaa jokaiselle käyttäjälle.
- Honeywellin sinisen Blueline-ilmaletkun (Airvisor 2 -standardi), tai vihreän letkun (Airvisor 2 DAC) käyttö ja voimakkaan virtaaman liitännät ovat kiinteä osa hyväksyntää, älä käytä minkään muun tyyppisiä letkuja, älä myöskään tee muutoksia letkuihin, jotka on tarkoitettu käytettäviksi vain sinun laitteesi kanssa.
- Ilmansyöttöletkun enimmäispitus A-luokan laitteille on 10 metriä, tarkoittaa yhtenäistä letkua. Tätä lyhyempiä letkuja ei saa liittää yhteen enimmäispituuden saavuttamiseksi.
- Maksimaalinen (nimellinen) työpaine Honeywellin paineilmaletkuille on 10 baaria.
- Ei sovellu käytettäviksi tiloissa, joiden ympäröivä lämpötila ylittää 35°C, huolehdi siitä, että laitetta ei jätetä kuivatusuuniksi muutettuun ruiskutuskaappiin.
- Ei sovellu käytettäviksi olosuhteissa, joissa suojaamaton käyttäjä saattaisi mahdollisesti kärsiä peruuttamatonta vahinkoa, ei myöskään vähänhappisissa ympäristöissä.
- Erittäin kiivaassa työtahdissa pääkappaleen sisällä oleva paine saattaa muuttua negatiiviseksi sisäänhengitysvirtauksen huippukohdissa.
- Varmista saastuneella alueella, että visiiri on lukittu ala-asentoon ja vetäydy välittömästi vaaralliselta alueelta, jos epäilet toimintahäiriötä tai jos varoituspilli soi.
- Suojaus sulaa metallia vastaan ainoastaan kertakäyttöistä visiirinsuojasta käytettäessä.
- Merkintä F1 kertoo, että laitetta ja paineilmaletkua voidaan käyttää tilanteissa, joissa syytyvyys voi muodostaa riskin.
- Laite ei välttämättä anna riittävää suojausta tietyissä hyvin myrkyllisissä tiloissa. Käyttäjän omalla vastuulla on varmistaa, että laite soveltuu toteutettavaan työhön, ja myös käyttäjälle itselleen. Tutustu paikallisen lainsäädännön ohjeistukseen.

Paineilmaletkun ilmanoton sisäänmenopaineen minimit:			
		Sisäänmenopaine baareina (psi)	
Ilmansyöttöletkun halkaisija (mm)	Letkun pituus (m)	DAVK-0001E DMAK-0021E	DAVK-0003E, 0004E DMAK-0023E, 0024E DAWK-4001E, 4011E
8	3,5	5,3 barin (77 psi)	4,5 barin (61 psi)
	7,5		4,6 barin (63 psi)
	10	5,4 barin (79 psi)	4,7 barin (64 psi)
		5,5 barin (80 psi)	



- Ilmansyöttöletkun enimmäispituus 10 metriä.
- Jos varoituspilli soi milloin tahansa työn aikana kun käytössä on DAVK-0001E ja DMAK-0021E ja työssä käytetään aputyökalua tai ruiskupistoolia, lisää silloin syöttöpainetta kunnes pilli lakkaa soimasta. Tällä varmistetaan, että pääkappaleeseen pääsee riittävästi ilmaa ja työturvallisuus säilyy.

TEKNISET TIEDOT

Sertifioiminen/hyväksyminen	CE-hyväksytty (CE 0194)
Standardit/yhteensopivuus	EN 14594:2005 (kevyt luokka A)
Nimellissuojakertoimet	Luokka 3 = 200 DAVK-mallit Luokka 4 = 2000 DAVK & DMAK -mallit
Visiiri: Kemikaalinkestävä Iskunkestävä	EN 166.2.F EN 166.2.B.9
Valmistajan tarkoittama vähimmäisvirtaama Enimmäisvirtaama	260 l/min 290 l/min
Käyttöpaine	4,5 baaria (61 psi) - 7,0 baaria (102 psi)
Käyttöaikainen enimmäislämpötila	35°C
Hiiликasetti	Vaihda 1000 käyttötunnin jälkeen, tai jos pääkappaleen sisällä tuntuu hajua

SUOJAUKERTOIMET

Valittu suojakerroin 40 tarkoittaa sitä, että hengityslaitetta voi käyttää saastuneilla alueilla aina lukemaan 40 X työpisteen altistusarvo asti. Ota selvää muita maantieteellisiä alueita koskevista kansallisista tai alueellisista säädöksistä tai ohjeista, jotka vaikuttavat hengityssuojaimen sallitun suojakerroinarvon valintaan.

AIRVISOR-HENGITYKSENSUOJAINJÄRJESTELMÄT

Tuotenumero	Osanro	Kuvaus
1013932	DAVK-0001E	Airvisor 2 -maalauslaitteisto
1013934	DAVK-0003E	Airvisor 2 -kemiallinen laitteisto
1013935	DAVK-0004E	Airvisor 2 -teollisuuslaitteisto
1013938	DMAK-0021E	Airvisor 2 MV -maalauslaitteisto
1013939	DMAK-0023E	Airvisor 2 MV -kemiallinen laitteisto
1013980	DMAK-0024E	Airvisor 2 MV -teollisuuslaitteisto
1013983	DAWK-4001E	Airvisor 2 FV -sarjan hitsauslaitteisto
1013987	DAWK-4011E	Airvisor 2 W -sarjan hitsauslaitteisto
1765058	DAVK-0001E-DAC	Airvisor 2 -maalauslaitteisto kaksitoimiliittimellä
1765059	DAVK-0003E-DAC	Airvisor 2 -kemiallinen laitteisto kaksitoimiliittimellä
1765060	DAVK-0004E-DAC	Airvisor 2 -teollisuuslaitteisto kaksitoimiliittimellä
1765061	DMAK-0021E-DAC	Airvisor 2 MV -maalauslaitteisto kaksitoimiliittimellä
1765062	DMAK-0023E-DAC	Airvisor 2 MV -kemiallinen laitteisto kaksitoimiliittimellä
1765063	DMAK-0024E-DAC	Airvisor 2 MV -teollisuuslaitteisto kaksitoimiliittimellä
1765064	DAWK-4001E-DAC	Airvisor 2 FV -sarjan hitsauslaitteisto kaksitoimiliittimellä
1765065	DAWK-4011E-DAC	Airvisor 2 W -sarjan hitsauslaitteisto kaksitoimiliittimellä

Pääkappaleet (täydellinen):

1013936	DAVK-0051E	Malliin DAVK-0001/03E
1013937	DAVK-0052E	Malliin DAVK-0004E
1013981	DMAK-0071E	Malliin DMAK-0021/23E
1013982	DMAK-0072E	Malliin DMAK-0024E
1013986	DAWS-4101E	Malliin DAWK-4001E
1013988	DAWS-4201E	Malliin DAWK-4011E

Vyöt (täydellinen):

1013989	DAVW-1001E	Malleihin DAVK-0001E ja DMAK-0021E
1013990	DAVW-1003E	Malleihin DAVK-0003/04E ja DMAK-0023/24E ja DAWK-4001/11E
1765066	DAVW-1001E-DAC	Malleihin DAVK-0001E-DAC ja DMAK-0021E-DAC
1765067	DAVW-1003E-DAC	Malleihin DAVK-0003/04E-DAC ja DMAK-0023/24E-DAC ja DAWK-4001/11E-DAC

Varaosat ja lisävarusteet (tuotepiirrosten mukaisesti):

Nro	Tuotenumero	Kuvaus
1	1028821	Otsasuojus ja otsanauha Airvisor 2 DAVK -malleihin
2	1028822	Otsasuojus ja otsanauha Airvisor 2 MV DMAK -malleihin
3	1028823	Otsanauhakokoonpano Airvisor 2 FV -sarjan hitsauslaitteistoon
4	1028824	Otsasuojus ja otsanauha Airvisor 2 W -sarjan hitsauslaitteistoon
5	1028825	Airvisor 2 -ilmansyöttöputki ja diffuusorikokoonpano kaikkiin malleihin
6	1028826	Asetaattiviisiiri (kemikaalinkestävä) malliin DAVK-0001/03E
6	1028827	Polykarbonaattiviisiiri (iskunkestävä) malliin DAVK-0004E
7	1001775	Asetaattiviisiiri (kemikaalinkestävä) malliin DMAK-0021/23E (5 kappaleen pakkaus)
7	1001774	Polykarbonaattiviisiiri (iskunkestävä) malliin DMAK-0024E (5 kappaleen pakkaus)
	1028870	Visiirin tiivistee tuotteelle nro 7 (10 kappaleen pakkaus)
8	1028828	Polykarbonaattisävisiiri (iskunkestävä) kaikkiin DAVK-4001E-malleihin
9	1001732	Kertakäyttöiset visiirinsuojukset kaikkiin DAVK-malleihin (10 kappaleen pakkaus)
9	1001731	Kertakäyttöiset visiirinsuojukset kaikkiin DAVK-malleihin (50 kappaleen pakkaus)
10	1001778	Kertakäyttöiset visiirinsuojukset kaikkiin DMAK-malleihin (10 kappaleen pakkaus)
10	1001779	Kertakäyttöiset visiirinsuojukset kaikkiin DMAK-malleihin (50 kappaleen pakkaus)
11	1001749	Kertakäyttöiset visiirinsuojukset DAWK-4001E-malleihin 10 kappaleen pakkaus)
12	1013994	Kankaisen kasvo-osan tiivistekasetti DMAK-malleihin (5 kappaleen pakkaus)
13	1001748	Kankaisen kasvo-osan tiivistekokoonpano malliin DAWK-4001E
14	1013994	Kankaisen kasvo-osan tiivistekokoonpano malliin DAWK-4011E (5 kappaleen pakkaus)
15	1001750	Hitsausvaippa malliin DAVK-4001E
16	1005103	Hitsausvaippa malliin DAWK-4011E
17	1001725	Voimakkaan virtaaman miniatyyri pikalukituskanta
18	1028829	Airvisor 2 -säätökokoonpano kaikkiin muihin kuin DAC-malleihin
18	1765068	Airvisor 2 -säätökokoonpano kaikkiin DAC-malleihin
19	1001672	Hililikasetti kaikkiin malleihin
20	1001674	Vyökotelo ja kankainen vyö
21	1028830	Airvisor 2 (muu kuin DAC) pikaliitin erityisen voimakkaalle virtaamalle
21	1765069	Airvisor 2 (DAC) kahdenkäden pikaliitin erityisen voimakkaalle virtaamalle
22	1028831	Airvisor 2 voimakkaan virtaaman pikalukituskanta
23	1001726	Sininen Blueline-ilmansyöttöletku 3,5 m (malliin ei-DAC Airvisor 2)
23	1001727	Sininen Blueline-ilmansyöttöletku 7,5 m (malliin ei-DAC Airvisor 2)
23	1004716	Sininen Blueline-ilmansyöttöletku 10 m (malliin ei-DAC Airvisor 2)
23	1765070	Vihreä ilmansyöttöletku 3,5 m (malliin DAC Airvisor 2)
23	1765071	Vihreä ilmansyöttöletku 7,5 m (malliin DAC Airvisor 2)
23	1765072	Vihreä ilmansyöttöletku 10 m (malliin DAC Airvisor 2)
24	1001683	Ilmaletkun ruiskupistooli (1,2 m) malleihin DAVK-0001E ja DMAK-0021E
25	1001733	Kertakäyttöinen kangashuppu kaikkiin DAVK- ja DMAK-malleihin (5 kappaleen pakkaus)
26	1001676	Kertakäyttöinen kankainen pää- ja niskasuojus kaikkiin DAVK- ja DMAK-malleihin (5 kappaleen pakkaus)
27	1001754	Palonestökäsitelty pää- ja niskasuoju malliin DAWK-4011E
28	1001738	Kankainen säilytyslaukku kaikille malleille

INSTRUCTIONS D'UTILISATION POUR APPAREIL RESPIRATOIRE A ADDUCTION D'AIR A CONSERVER POUR UTILISATION ULTERIEURE



Ne pas utiliser sans avoir lu la notice et avoir été formé sur le produit.

INSTRUCTIONS D'UTILISATION ET DE MAINTENANCE



- L'air comprimé alimentant les produits de type Airvisor 2 doit être de qualité respirable suivant la norme EN 12021. Honeywell recommande l'utilisation d'un système Clearflow pour assurer la qualité de l'air. La qualité de l'air doit être vérifiée périodiquement à l'aide de l'équipement de test adapté. Bien suivre les instructions ci-après avant d'entrer en zone.
- Les Airvisor 2 DAC (raccords à double action) proposent des connexions double action, différentes des connexions standard, et apportant une protection supplémentaire contre les déconnexions intempestives.

VERIFICATIONS PREALABLES

- Vérifier le fonctionnement du sifflet d'avertissement afin d'assurer un débit d'air correct dans l'appareil (voir les instructions ci-dessous).
- Vérifier que le matériel n'est pas endommagé, en apportant une attention particulière au tuyau d'air comprimé, au tuyau d'alimentation de la visière et à la jupe de la visière.
- Ne pas utiliser l'appareil si la jupe faciale ou le diffuseur du tuyau d'arrivée d'air sont endommagés car le niveau de protection s'en trouverait amoindri.
- Vérifier que l'écran de la visière offre une bonne visibilité.

MISE EN PLACE DE L'EQUIPEMENT

- Placer le bloc régulateur autour de la taille et ajuster la ceinture pour un réglage confortable. Si nécessaire, enfiler la cagoule en tissu (25), suivie de la visière.
- Garder la visière (6, 7, 8) relevée et ajuster la bande frontale pour assurer un maintien ferme.
- Brancher le tuyau d'alimentation de la visière (5) dans le mini connecteur rapide du bloc régulateur (17).
- Choisir la longueur de tuyau d'air comprimé (23), jusqu'à un maximum de 10 mètres et le connecter sur l'entrée d'air (21) du bloc régulateur.
- Connecter l'autre extrémité du tuyau à une source d'air filtré.



Si un Airvisor 2 DAC est utilisé, utiliser un tuyau d'air comprimé de couleur verte de type « Green hose ». Les Airvisor 2 standard utilisent des tuyaux bleus.

Si nécessaire, brancher l'outil à air comprimé (24) sur la sortie d'air (22) du bloc régulateur.

Ouvrir l'air comprimé et ajuster la pression pour obtenir entre 4,5 bars (61 psi) et 7 bars (102 psi) à l'entrée du bloc régulateur (voir le tableau ci-après). S'assurer de l'absence de fuites. Si le sifflet se déclenche, augmenter la pression d'entrée jusqu'à ce qu'il s'arrête. Au cas où le sifflet ne s'arrête pas en augmentant la pression, fermer l'air comprimé, puis redémarrer après avoir ajusté la pression.

A noter que quand les Airvisor 2 sont utilisés avec un outil à air comprimé, ils nécessitent une plus grande pression. Dans ce cas, il est nécessaire de mettre l'outil en marche avant d'utiliser l'Airvisor 2. Si le sifflet se déclenche, augmenter la pression jusqu'à ce qu'il s'arrête afin de s'assurer qu'il y a suffisamment de pression pour l'ensemble outil / Airvisor.

Abaisser la visière et s'assurer que tous les réglages (bande frontale et sangles) sont suffisants pour un port optimal et étanche. Vérifier qu'il n'existe pas d'espaces trop importants entre le visage et la coiffe. Réajuster les réglages de la coiffe afin de les réduire au maximum. L'entrée en zone contaminée est maintenant possible. NOTE : si le sifflet se déclenche en utilisation, cela signifie qu'il n'y a pas suffisamment d'air dans la coiffe. Quitter immédiatement la zone et retirer la coiffe. Augmenter la pression d'alimentation à un niveau suffisant avant de retourner en zone.

Remplacement du tube d'alimentation et du diffuseur (tous modèles) :

- Si le tube d'alimentation en air (5) est usé ou endommagé, il doit être remplacé pour éviter les fuites.
- Détacher le tube de ses points d'attache (de l'encoche à l'arrière de la coiffe et par ses 2 colliers transparents) et retirer le diffuseur de sa coque de protection (pièce noire courbée) après avoir retiré le bouchon percé.
- Installer le nouvel ensemble en insérant précautionneusement le diffuseur en mousse dans sa coque de protection et recclipser le bouchon percé.
- Fixer le tube d'alimentation sur la coiffe en utilisant les plots transparents, ainsi que l'encoche à l'arrière de la coiffe.

Remplacement des protections de visière (tous modèles) :

- Fixer les protections (9/10/11) à l'aide des plots en métal de chaque côté de la visière.

Remplacement de la visière (modèles DAVK-000*E & DAWK-4001E) :

- Déclipser le tube d'alimentation en air (5) à l'arrière de la coiffe.
- En tenant le dessus de la coiffe, appuyer fermement sur le haut de la visière (6) de l'extérieur vers l'intérieur en utilisant le pouce et l'index.
- Déclipser la visière des plots situés de chaque côté de la coiffe.
- Si le tuyau d'alimentation n'a pas besoin d'être remplacé, déclipser les 2 colliers transparents de la visière. Dans le cas contraire, mettre l'ensemble visière / tuyau d'alimentation au rebut.
- Pour le remontage, passer le connecteur rapide du tuyau d'alimentation au travers du trou situé dans la mousse de la visière.
- Clipser le tube d'alimentation sur la visière en utilisant les 2 colliers transparents, ainsi que le plot situé sur la coque du diffuseur.
- Clipser les 2 plots de la coiffe dans les 2 trous en haut de la visière et appuyer fermement. Faire pivoter la visière pour la clipser en position dans la coiffe.

Remplacement de l'ensemble jupe inférieure (modèles DMAK-002*E & DAWK-401E) :

- Retourner la coiffe sur le bras et maintenir le haut de la coiffe avec une main.
- Avec la main libre, tenir la partie basse de la jupe et pousser d'un coup sec.
- Rebuter la jupe usagée.
- Aligner la jupe de remplacement (12) sous la coiffe.
- En commençant à l'une de ses extrémités, clipser la jupe sur la coiffe. S'assurer que les sangles élastiques en tissu passent à l'intérieur de la bande frontale, puis les replier autour de la bande frontale pour les attacher à l'aide du bouton pression. En cas de doute, prendre modèle sur une coiffe non démontée.
- La jupe inférieure doit être remplacée en cas de dommages, présence de poussière ou de saleté.

Remplacement de la visière (modèles DMAK-002*E & DAWK-401E) :

- Vérifier les bandes de mousse étanche et les remplacer si nécessaire.
- Enlever la visière en la poussant de l'intérieur vers l'extérieur.
- Placer la nouvelle visière dans l'encoche sur l'un des côtés de la coiffe en s'assurant que sa partie supérieure est également dans son encoche.
- Finir de l'insérer la visière (7) dans la coiffe jusqu'à l'autre côté puis finir l'installation en clipsant la visière dans l'encoche en bas de la coiffe.

Remplacement / Ajustement du filtre de soudage (kits de soudure uniquement)

DAWK-4001E :

- Dévisser le collier de serrage à l'intérieur du masque.
- Retirer la plaque de protection et le filtre
- Remplacer le filtre si nécessaire
- Revisser le collier de serrage.

DAWK-4011E :

Dans le cas du kit de soudure pour la série W, l'accès au système de fixation de l'écran se fait depuis l'extérieur du masque de soudure, après avoir retiré la protection extérieure de couleur bleu clair. Les assemblages en verre teinté sont maintenus en place à l'aide d'un système d'attache flexible.

Remplacement de la cartouche de charbon :



La cartouche de charbon (19) doit être remplacée si des odeurs sont détectées, ou après 1 000 heures d'utilisation (maximum).

- Détacher toutes les connexions pneumatiques du bloc régulateur et enlever les 3 vis de fixation.
- Enlever, en le basculant vers l'avant, l'ensemble régulateur et retourner le bloc régulateur pour enlever la cartouche de charbon.
- Placer les joints toriques en haut et en bas de la nouvelle cartouche et la placer dans le bloc régulateur.
- Replacer l'ensemble régulateur en plaçant son ergot noir dans l'encoche de la partie inférieure du bloc régulateur.
- Serrer les 3 vis et connecter le bloc régulateur à l'air comprimé.
- Vérifier qu'il n'y a pas de fuites.



Si des connecteurs doivent être remplacés, n'utiliser que des pièces Honeywell pour une sécurité optimale.

NETTOYAGE ET DESINFECTATION APRES CHAQUE UTILISATION

- Enlever la poussière et les saletés de l'appareil en utilisant un chiffon doux humidifié au désinfectant ou à l'eau savonneuse.
- Ne pas immerger l'appareil.
- Ne pas utiliser de solvants ou de détergents non dilués qui pourraient endommager l'appareil.
- Ne pas utiliser de produits nettoyants abrasifs qui pourraient abîmer les surfaces de l'appareil ou rayer la visière.
- Faire sécher dans une pièce ventilée, sans exposition directe au soleil et loin de sources de chaleur élevées ou radiantes.
- Mettre l'appareil dans son sac de stockage (28) après le nettoyage et la désinfection.



- L'air comprimé alimentant les produits de type Airvisor 2 doit être de qualité respirable suivant la norme EN 12021.
- S'assurer que l'humidité dans l'air comprimé ne dépasse pas les limites fixées par la norme EN 12021, afin d'éviter le gel dans l'appareil en cas de basses températures.
- Il est très important de s'assurer que l'appareil n'est pas connecté à des sources qui ne délivrent pas de l'air de qualité respirable.
- L'appareil ne doit pas être connecté à une source d'oxygène ou d'air enrichi en oxygène.
- Quand plusieurs utilisateurs sont connectés à la même source d'air, s'assurer que la capacité en air soit suffisante pour tous les systèmes connectés.
- L'utilisation des tuyaux BlueLine (Airvisor 2 standard) ou des tuyaux « Green hose » (Airvisor 2 DAC) avec leurs raccords haut débit fait partie de la certification. Ne pas utiliser d'autres modèles de tuyaux, ni utiliser les tuyaux Airvisor 2 pour d'autres usages.
- La longueur maximale des tuyaux d'air comprimé en Classe A est de 10 mètres et ne doit être constituée que d'un seul tuyau. Ne pas assembler plusieurs tuyaux pour atteindre cette longueur maximale.
- La pression (nominale) de travail maximale pour les tuyaux d'air comprimé Honeywell est de 10 bars.
- Cet équipement est non adapté pour un usage au-dessus de 35°C, ne pas laisser l'équipement dans la cabine de peinture quand celle-ci passe en mode séchage.
- Ne pas utiliser dans des conditions où un utilisateur sans protection pourrait être mis en danger ou souffrir de blessures irréversibles, ni dans un milieu appauvri en oxygène.
- Dans certaines circonstances de travail très intenses, il peut arriver que la pression devienne négative dans la coiffe lors de fortes inspirations de l'utilisateur.
- En zone contaminée, s'assurer que la visière est abaissée et partir immédiatement si un problème est suspecté ou que le sifflet se déclenche.
- Une protection contre le métal fondu est assurée uniquement si les protège-visière sont utilisés.
- Quand cela est approprié, le marquage F1 indique que l'appareil et le tuyau d'air comprimé peuvent être utilisés dans des conditions de risques d'inflammabilité.
- L'appareil peut ne pas être adapté à certaines atmosphères très toxiques. Il est de la responsabilité de l'utilisateur de s'assurer que l'appareil est adapté aux conditions de travail et adapté à l'utilisateur. Se référer à la législation en vigueur.

Pressions minimales à respecter à l'entrée du tuyau d'air comprimé :

		Pression en bars (psi)	
Diamètre intérieur du tuyau (mm)	Longueur du tuyau (m)	DAVK-0001E DMAK-0021E	DAVK-0003E, 0004E DMAK-0023E, 0024E DAWK-4001E, 4011E
8	3,5	5,3 bars (77 psi)	4,5 bars (61 psi)
	7,5		4,6 bars (63 psi)
	10	5,4 bars (79 psi) 5,5 bars (80 psi)	4,7 bars (64 psi)



- Longueur maximum du tuyau : 10 mètres.
- Pour les modèles DAVK-0001E et DMAK-0021E, si le sifflet se déclenche pendant l'utilisation de l'outil à air comprimé ou du pistolet à peinture, augmenter la pression d'alimentation jusqu'à ce que le sifflet s'arrête. Ceci afin de s'assurer que suffisamment d'air alimente la coiffe et que la sécurité de l'utilisateur est assurée.

INFORMATIONS TECHNIQUES

Certification	Certifié CE (CE 0194)
Norme	EN 14594:2005 (Classe A)
Facteur de Protection Nominal	Classe 3 = 200 (modèles DAWK) Classe 4 = 2,000 (modèles DAVK & DMAK)
Visière : Modèle Chimie Modèle Industrie	EN 166.2.F EN 166.2.B.9
Débit minimal Débit d'air maximum	260 l/min 290 l/min
Pression d'utilisation	De 4,5 bars (61 psi) à 7,0 bars (102 psi)
Température d'utilisation maximale	35°C
Cartouche de charbon	Remplacer après 1 000 heures, ou Si une odeur est détectée

FACTEURS DE PROTECTION

En général, un Facteur de Protection Assigné (APF) de 40 signifie que l'appareil peut être utilisé dans des zones où la contamination représente jusqu'à 40 fois la valeur limite d'exposition légale.

Pour d'autres régions géographiques, se référer à la législation locale ou nationale pour le choix d'un appareil respiratoire adapté.

SYSTÈMES RESPIRATOIRES AIRVISOR

Référence	Modèle	Description
1013932	DAVK-0001E	Airvisor 2 kit peinture
1013934	DAVK-0003E	Airvisor 2 kit chimique
1013935	DAVK-0004E	Airvisor 2 kit industriel
1013938	DMAK-0021E	Airvisor 2 MV kit peinture
1013939	DMAK-0023E	Airvisor 2 MV kit chimique
1013980	DMAK-0024E	Airvisor 2 MV kit industriel
1013983	DAWK-4001E	Airvisor 2 Série FV kit de soudure
1013987	DAWK-4011E	Airvisor 2 Série W kit de soudure
1765058	DAVK-0001E-DAC	Airvisor 2 kit peinture connecteur double action
1765059	DAVK-0003E-DAC	Airvisor 2 kit chimique connecteur double action
1765060	DAVK-0004E-DAC	Airvisor 2 kit industriel connecteur double action
1765061	DMAK-0021E-DAC	Airvisor 2 MV kit peinture connecteur double action
1765062	DMAK-0023E-DAC	Airvisor 2 MV kit chimique connecteur double action
1765063	DMAK-0024E-DAC	Airvisor 2 MV kit industriel connecteur double action
1765064	DAWK-4001E-DAC	Airvisor 2 Série FV kit de soudure connecteur double action
1765065	DAWK-4011E-DAC	Airvisor 2 Série W kit de soudure connecteur double action

Coiffes (complètes) :

1013936	DAVK-0051E	Pour utilisation avec DAVK-0001/03E
1013937	DAVK-0052E	Pour utilisation avec DAVK-0004E
1013981	DMAK-0071E	Pour utilisation avec DMAK-0021/23E
1013982	DMAK-0072E	Pour utilisation avec DMAK-0024E
1013986	DAWS-4101E	Pour utilisation avec DAWK-4001E
1013988	DAWS-4201E	Pour utilisation avec DAWK-4011E

Blocs régulateurs (complets) :

1013989	DAVW-1001E	Pour utilisation avec DAVK-0001E et DMAK-0021E
1013990	DAVW-1003E	Pour utilisation avec DAVK-0003/04E, DMAK-0023/24E et DAWK-4001/11E
1765066	DAVW-1001E-DAC	Pour utilisation avec DAVK-0001E-DAC et DMAK-0021E-DAC
1765067	DAVW-1003E-DAC	Pour utilisation avec DAVK-0003/04E-DAC, DMAK-0023/24E-DAC et DAWK-4001/11E-DAC

Pièces de rechange et accessoires (voir schéma en début de notice) :

N°	Référence	Description
1	1028821	Coque de coiffe avec bande frontale pour Airvisor 2 modèles DAVK
2	1028822	Coque de coiffe avec bande frontale pour Airvisor 2 MV modèles DMAK
3	1028823	Bande frontale pour Airvisor 2 Série FV kit de soudure
4	1028824	Coque de coiffe avec bande frontale pour Airvisor 2 Série W kit de soudure
5	1028825	Tube d'alimentation avec diffuseur pour Airvisor 2 (tous modèles)
6	1028826	Visière Acétate (résistance chimique) pour modèle DAVK-0001/03E
6	1028827	Visière Polycarbonate (résistance à l'impact) pour modèle DAVK-0004E
7	1001775	Visière Acétate (résistance chimique) pour modèle DMAK-0021/23E (pack de 5)
7	1001774	Visière Polycarbonate (résistance à l'impact) pour DMAK-0024E (pack de 5)
	1028870	Bandes de mousse étanche pour visière (item 7) (pack de 10)
8	1028828	Visière intérieure Polycarbonate (résistance à l'impact) pour modèle DAWK-4001E
9	1001732	Protection pour visières pour modèles DAVK (pack de 10)
9	1001731	Protection pour visières pour modèles DAVK (pack de 50)
10	1001778	Protection pour visières pour modèles DMAK (pack de 10)
10	1001779	Protection pour visières pour modèles DMAK (pack de 50)
11	1001749	Protection pour visières pour modèle DAWK-4001E (pack de 10)
12	1013994	Ensemble jupe inférieure pour modèles DMAK (pack de 5)
13	1001748	Ensemble jupe inférieure pour modèle DAWK-4001E
14	1013994	Ensemble jupe inférieure pour modèle DAWK-4011E (pack de 5)
15	1001750	Masque de soudure pour modèle DAWK-4001E
16	1005103	Masque de soudure pour modèle DAWK-4011E
17	1001725	Mini connecteur rapide
18	1028829	Etage régulateur pour Airvisor 2 (tous modèles non DAC)
18	1765068	Etage régulateur pour Airvisor 2 (tous modèles DAC)
19	1001672	Cartouche de charbon (tous modèles)
20	1001674	Coque de bloc régulateur avec ceinture en tissu
21	1028830	Connecteur rapide Airvisor 2 (non-DAC)
21	1765069	Connecteur rapide double-action pour Airvisor 2 DAC
22	1028831	Prise pour outil pneumatique Airvisor 2
23	1001726	Tuyau Blueline 3,5 m (pour Airvisor 2 non DAC)
23	1001727	Tuyau Blueline 7,5 m (pour Airvisor 2 non DAC)
23	1004716	Tuyau Blueline 10 m (pour Airvisor 2 non DAC)
23	1765070	Tuyau vert « green hose » 3,5 m (pour Airvisor 2 DAC)
23	1765071	Tuyau vert « green hose » 7,5 m (pour Airvisor 2 DAC)
23	1765072	Tuyau vert « green hose » 10 m (pour Airvisor 2 DAC)
24	1001683	Tuyau pour pistolet à peinture (1,2 m) pour DAVK-0001E et DMAK-0021E
25	1001733	Cagoule jetable pour modèles DAVK & DMAK (pack de 5)
26	1001676	Protège-nuque jetable pour modèles DAVK & DMAK (pack de 5)
27	1001754	Protège-nuque (résistance au feu) pour modèle DAWK-4011E
28	1001738	Sac de stockage tous modèles

הוראות למשתמש במסירת נשימה עם אספקת אוויר – שמור לעיון בעתיד

אין להשתמש בציוד לפני קריאת הוראות אלו וקבלת הדרכה על המוצר.



הוראות שימוש ותחזוקה

- אוויר דחוס המוזרם למשפחת המוצרים Airvisor 2 יהיה באיכות מתאימה לנשימה לפי תקן EN 12021. Honeywell ממליצה להשתמש במערכות סינון Clearflow כדי לשפר את העמידה בדרישות. יש לבדוק את איכות האוויר מעת לעת באמצעות ציוד בדיקה הולם. לפני ניסוח לאזור העבודה, יש למלא אתר ההוראות הבאות.
- דגמי Airvisor 2 DAC (double action couplings) כוללים מחברים בעלי פעולה כפולה לאספקת אוויר דחוס, בעלי תצורת חיבור מוגדרת והגנה משופרת מפני ניתוקים לא צפויים.



בדיקות לפני השימוש

- בדוק את תקינות צופר האזהרה כדי להבטיח אספקת אוויר בכמות תקינה למסירת הנשימה (ראה הוראות בהמשך).
- בדוק את כל פרטי הציוד כדי לאתר נזקים, שים לב במיוחד לצינור, צינור ההזנה של המשקף ושולי המסכה.
- אלא תשתמש במכשיר הנשימה במקרה של פגם בשולי המסכה או במפזר (דיפוזר) שבצינור אספקת האוויר, מכיוון שהדבר יפגע ברמת ההגנה.
- ודא שמכסי המשקף מאפשרים ראות טובה.

לבישת הציוד

- הדק את מכלול חגורת המותן סביב המותניים והתאם בצורה נוחה. לפי הוצרך, לבש ברדס בד (25) והרכב עליו את מכלול המשקף.
- החזק את המשקף (6, 7, 8) במצב מורם והתאם את רצועת הראש ואת חבק הראש באופן הדוק.
- הכנס את קצה צינור אספקת האוויר (5) של המשקף לתוך שקע השחרור המהיר המיניאטורי (High Flow (17).
- בחר צינור אוויר (23) באורך מתאים עד 10 מטר לכל היותר וחבר את שקע High Flow QR שבצינור לכניסת האוויר (21) שבמכלול חגורת המותן.
- חבר את הקצה השני לאספקת אוויר מסונן.

בעת שימוש בדגמי Airvisor 2 DAC השתמש בצינור אספקת האוויר הירוק. השתמש בצינורות כחולים עבור דגמי Airvisor 2.



לפי הוצרך, חבר כלי פניאומטי (24) ליציאת האוויר (22) שבחגורת המותן.

הפעל את אספת האוויר וכוונן את הלחץ לטווח בין 5.4 בר (psi 61) לבין 7 בר (psi 102) בכניסה למכלול חגורת המותן (ראה טבלת לחצי אספקה מעבר לדף). ודא שאין דליפות אוויר. במקרה של הפעלת צופר האזהרה, הגדל את הלחץ ההזנה עד שהצופר יחדל. אם הצופר אינו חדל על אף הגדלת הלחץ, סגור את אספקת האוויר והתחל מחדש לאחר שתכונן הלחץ.

שים לב, ערכות 2 MV-i Airvisor 2 מוצעות לשימוש יחד עם כלי עזר פניאומטי או אקדח ריסוס, מערכות לחץ הזנה גבוה יותר (דבר המייבא לבצע בדיקה נוספת). הדבר מבטיח לחץ אוויר ברמה מספקת עבור משקף מכשיר הנשימה וכלי העזר או אקדח הריסוס.

הורד את המשקף, התאם את רצועת הראש ואת חבק הראש לפי הוצרך כדי להבטיח התאמה אופטימלית של שולי המשקף סביב הפנים. בדוק אם יש מרווחים נראים לעין בין עור הפנים לבין שולי המשקף. במקרה שנתגלו מרווחים, התאם מחדש את ההתקן עד שיהיה צמוד ללא מרווח. כעת אתה מוכן להיכנס לאזור המזוהם. שים לב: במקרה שצופר האזהרה מופעל במהלך העבודה הרגילה, סימן שלא זורם מספיק אוויר למשקף מכשיר הנשימה. צא מייד מהאזור המזוהם, ולאחר מכן, הסר את המשקף, והגבר את הלחץ ההזנה עד לרמה הנאותה.

החלפת צינור אספקת אוויר ומכלול המפזר (כל הדגמים):

- אם צינור אספקת האוויר (5) שחוק או פגום יש להחליפו כדי למנוע דליפות אוויר.
- נתק את הצינור מנקודות החיבור (המחובר למגרעת בחלק האחורי של יחידת הראש ומורכב על שני תפסי אחיזה שקופים) ומשוך את המפזר מתוך המחזיק המעוקל המחובר במרכז לאחר הסרת הכיסוי.
- התקן את המכלול החדש על-ידי הכנסת מפזר המשקף במחזיק המעוקל וקביעה הכיסוי במקומו.
- חבר מחדש את צינור אספקת האוויר למשקף/מסגרת באמצעות שני תפסי האחיזה והקפד להתאים את הצינור למגרעת שביחידת הראש.

החלפת כיסויי משקף חד-פעמיים (כל הדגמים):

אתר את כיסוי המשקף (9, 10, 11) מעל עמודי המתכת בכל אחד מצדי המשקף.

החלפת משקף (דגמים DAWK-4001E ו-DAVK-000E):

- נתק את צינור אספקת האוויר למשקף (5) מגן המצח.
- זקוף את המצח, לחץ בחוזקה על החלק העליון של המשקף (6) מבחוץ כלפי פנים, בעזרת האגודל והאצבע המורה.
- נתק את חריצי חור המפתח של המשקף מתפסי המצח הכחולים הממוקמים בכל אחד מהצדדים.
- אם צינור אספקת האוויר למשקף מיועד לשימוש חוזר, נתק את הצינור מחלקו הפנימי של המשקף על-ידי משיכה זהירה של שני תפסי האחיזה השקופים; אחרת, השלך את המשקף ואת הצינור.
- כדי לחבר מחדש, העבר את מחבר QR של צינור האוויר כלפי מעלה דרך החור שבשכבה המוקצפת של המשקף.
- חבר את צינור אספקת האוויר של המשקף לשני תפסי האחיזה השקופים ולמחזיק המעוקל המורכב במרכז.
- החזר את תפסי מגן המצח הכחולים לתוך חריצי חור המפתח שראש המשקף ולחץ בחוזקה, סובב כלפי מגן המצח וקבע אותם במקומם.

החזרת קסטת שולי המסכה (דגמים DAWK-4011E ו-DMAK-002E):

- הנח את המשקף בצורה הפוכה על הזרוע ואחוז את המסגרת.
- בדי השנייה, אחוז את קסטת שולי המסכה בחלקה התחתון ומשוך מתוך המשקף בתנועה אחת מהירה.
- ישר את הקופסה הרורבית (12, 14) מתחת למשקף.
- תקע את הקסטת לתוך מסגרת המשקף: הכנס קצה אחד והמשך לאורך כל המסגרת. לגבי חלקים העשויים מברז, ודא שהקצוות החופשיים עוברים בתוך חבק הראש ולאחר מכן מתקפלים מחוץ לחבק הראש ומתחברים לעצמם בעזרת תפסי הלחיצה. במקרה של ספק, בדוק את הסידור הקיים לפני הפירוק.
- יש להחליף את הקסטת בכל מקרה שמתגלים סימני נזק או הצטברות אבק ולכלוך.

החלפת משקף (דגם DAWK-4011E & DMAK-002*E):

- בדוק נזק בפסי האטימה, החלף לפי הצורך.
- הסר את המשקף על-ידי דחיפה מתוך החלק הפנימי שלו.
- אתר את לשונית הצד של המשקף בחריץ ההיקפי של המשקף וודא שהקצה העליון ממוקם בחריץ של מגן המצח.
- הלבש את המשקף (7) סביב הקשת ההיקפית של המשקף והכנס את הלשוניות התחתונות לתוך חריצי מגן הסנטר.

החלפה / התאמה של מסנן הריחות (ערכות ריתוך בלבד)

DAWK-4001E

- שחרר את בורגי הליחיה בצד הפנימי של הקסדה.
- הסר את לוחות הניסוי ואת המסנן
- החלף את המסנן בהתאם לצורך
- החזר את המלחציים והברגים.

DAWK-4011E

בערכות ריתוך מסדרת W-Series הגישה למערכת ההחזקה של החלון היא מהצד החיצוני של הקסדה, אחרי שמסירים את ניסוי התכלת החיצוני. מכלול הזכוכית הנהה מוחזקים במקומם באמצעות מערכת תפסים גמישים.

החלפת מסנן הפחם:

יש להחליף את מסנן הפחם (19) במקרה של חדירת ריחות או מדי 1,000 שעות שימוש (לכל היותר).

- נתק את חגורת המותן מאספקת האוויר, הסר את כל צינורות החיבור ואת שלושת בורגי הקיבוע.
- הטה את מכלול הווסת לפנים והסר אותו, הפוך את חגורת המותן כדי לנתק את מסנן הפחם.
- הלבש אטמי טבעת (איר-ניגים) בחלקו העליון ובחלקו התחתון של מסנן הפחם.
- הכנס את הלשוניות השחורה של מכלול הווסת לתוך החריץ שבמחצית התחתונה של בית חגורת המותן.
- הרכב בחזרה את הברגים וחבר את אספקת האוויר.
- בדוק לדליפות אוויר.


כדי להבטיח הגנה אופטימלית, הקפד לחבר חלקי חילוף מקוריים של Honeywell בלבד.

ניקוי וחיטוי לאחר כל שימוש

- הסר אבק ולכלוך מהמערכת בעזרת מטלית לכה המוספגת בחומר חיטוי או תמיסת סבון נזלי.
- אין לטבול את המערכת בנוזל.
- אין להשתמש בממסים אורגני או בחומר ניקוי לא מהול, אלה עלולים לגרום נזק למערכת.
- אין להשתמש במוצר ניקוי שורט שעלול לגרום נזק לחלקים החיצוניים של המערכת או לשרוט את המשקף.
- אפשר להתייבש לחלוטין במקום מאוורר היטב, הרחק מקרינת שמש ישירה וממקורות חום גבוה או קרינת חום.
- לאחר הניקוי והחיטוי, שים את המערכת בתיק אחסון (28).

- אוויר דחוס המוזרם למשפחת המוצרים Airvisor 2 יהיה באיכות מתאימה לנשימה לפי תקן EN 12021.
- ודא שתכולת הלחות באוויר הנשימה תהיה מבוקרת בגבולות המפורטים בתקן EN 12021, כדי למנוע קפיאת האוויר במערכת בטמפרטורות נמוכות.
- יש לנהוג זהירות מיוחדת כדי להבטיח שהמערכת אינה מחוברת למערכת קווי אוויר חלופיות במקום העבודה, שבהן עוברים גזים אחרים שאינם אוויר ראוי לנשימה.
- אין לחבר את המערכת לאספקת חמצן או לאוויר מועשר בחמצן.
- במקרה שמחברים מספר משתמשים למערכת אספקת האוויר, ודא שהמערכת מסוגלת לספק אוויר בכמות הדרושה לכל אחת מהם.
- השימוש בצינור אוויר מסוג Honeywell Blueline (תקני ל-Airvisor 2) או בצינור ירוק (Airvisor 2 DAC) ובחיבורי High Flow מהווה חלק בלתי נפרד מהליך האיטור. אין להשתמש בצינור משום סוג אחר וכן אין להסב לשם כך צינורות אחרים המיועדים למערכת שברשותך.
- האורך המרבי של צינור אספקה להתקנים בסיווג Class A הוא 10 מטרים, הכוונה לצינור שלם ורופף. אין לצרף יחד מקטעי צינור קצרים כדי להגיע לאורך המרבי.
- לחץ העבודה המרבי (הנקוב) בצינורות אוויר דחוס של Honeywell הוא 10 בר.
- לא מתאים לשימוש באזורים בעלי טמפרטורת סביבה מעל 35°C; הקפד לא להשאיר את הציוד בתא הריסוס לאחר מעבר להפעלה כתנור חימום.
- לא מיועד לשימוש בניסויים שבהן המשתמש עלול לסבול מנזק בלתי הפיך במקרה שלא ישתמש באמצעי מיוגן וגם בסביבות עניית בחמצן.
- במקרה של עבודה מאומצת, הלחץ בתוך יחידת הראש עלול להפוך להיות שלילי בנקודת שיא השאיפה.
- בעבודה באזור מזהם, ודא נעילת המשקף במצב מונמך וצא מייד מאזור הסכנה במקרה של חשד לתקלה או הפעלת צופר האזהרה.
- הגנה מפני מתכת נוזלית קיימת רק אם משתמשים בכיסויי משקף חד-פעמיים.
- לפי העניין, הסימון F1 מצייין כי ניתן להשתמש במערכת ובצינור אספקת האוויר הדחוס במצבים שבהם קיימת סכנת התלקחות. ייתכן שהמערכת לא תספק הגנה נאותה במקומות מסוימים שהאוויר בהם מאוד רעיל. באחריות המשתמש לוודא שהמערכת מתאימה לסוג העבודה שתבצע ולמשתמש עצמו. לקבלת הנחיות, בדוק את החקיקה המקומית.

לחצי אספקה מינימליים בכניסה לצינור אספקת האוויר הדרוסי יהיו כדלקמן:			
לחץ אספקה, בר (psi)			
E0004 ,E0003-DAVK E0024 ,E0023-DMAK E4011 ,E4001-DAWK	DAVK-0001E DMAK-0021E	אורך הצינור (מ')	קוטר צינור האספקה (מ"מ)
4.5 בר (61 psi) 4.6 בר (63 psi) 4.7 בר (64 psi)	5.3 בר (77 psi) 5.4 בר (79 psi) 5.5 בר (80 psi)	3.5 7.5 10	8



• אורך מרבי של צינור האספקה: 10 מטרים
 • בדגמים DAVK-0001E ו-DMAK-0021E, אם נוצר האזהרה מופעל במהלך הפעלת כלי העזר או אקדח הריסוס, הגדל את לחץ ההזנה עד שיחידל לצפור. הדבר מבטיח אספקת אוויר מספקת ליחידת הראש ואת השמירה על בטיחותך.

מידע טכני

הסמכה / אישור	אישור CE (CE 0194)
תקן/ התאמה	EN 14594:2005 (Light Duty Class A)
מקדמי הגנה נקובים	Class 3 = 200 דגמי DAVK Class 4 = 2,000 דגמים DAVK ו-DMAK
משקף: עמיד לכימיקלים עמיד לחבטות	EN 166.2.F EN 166.2.B.9
קצב זרימה לפי מפרט היצרן קצב זרימה מרבי	260 ל"דקה 290 ל"דקה
לחץ עבודה	5.4 בר (61 psi) עד 0.7 בר (102 psi)
טמפרטורת עבודה מרבית	35°C
מסנן פחם	החלף מדי 1,000 שעות או במקרה של חדרת ריחות לתוך יחידת הראש

מקדמי הגנה

מקדם הגנה יעודי (Assigned Protection Factor או APF) 40, פירושו שניתן להשתמש במכשיר הנשימה באזורים בעלי רמת זיהום מרבית פי 40 מגבול החשיפה במקום העבודה.
 באזורים יאוגרפיים אחרים יש לעיין בתקנות ובהנחיות הלאומיות או האזוריות הקובעות מקדם הגנה מותר שונה לבחירת מיוגן נשימה.

מערכות הנשימה של AIRVISOR

מס' פריט	מק"ט	תאור
1013932	DAVK-0001E	Airvisor 2 ערכת ריסוס צבע
1013934	DAVK-0003E	Airvisor 2 ערכה כימית
1013935	DAVK-0004E	Airvisor 2 ערכה תעשייתית
1013938	DMAK-0021E	Airvisor 2 MV ערכת ריסוס צבע
1013939	DMAK-0023E	Airvisor 2 MV ערכה כימית
1013980	DMAK-0024E	Airvisor 2 MV ערכה תעשייתית
1013983	DAWK-4001E	Airvisor 2 FV-Series ערכת ריתוך
1013987	DAWK-4011E	Airvisor 2 W-Series ערכת ריתוך
1765058	DAVK-0001E-DAC	Airvisor 2 מחבר פעולה כפולה לערכת ריסוס צבע
1765059	DAVK-0003E-DAC	Airvisor 2 מחבר פעולה כפולה לערכה כימית
1765060	DAVK-0004E-DAC	Airvisor 2 מחבר פעולה כפולה לערכה תעשייתית
1765061	DMAK-0021E-DAC	Airvisor 2 MV מחבר פעולה כפולה לערכת ריסוס צבע
1765062	DMAK-0023E-DAC	Airvisor 2 MV מחבר פעולה כפולה לערכה כימית
1765063	DMAK-0024E-DAC	Airvisor 2 MV מחבר פעולה כפולה לערכה תעשייתית
1765064	DAWK-4001E-DAC	Airvisor 2 FV-Series מחבר פעולה כפולה לערכת ריתוך
1765065	DAWK-4011E-DAC	Airvisor 2 W-Series מחבר פעולה כפולה לערכת ריתוך

יחידות ראש רזרביות (שלמות):

שימוש עם DAVK-0001/03E	DAVK-0051E	1013936
שימוש עם DAVK-0004E	DAVK-0052E	1013937
שימוש עם DMAK-0021/23E	DMAK-0071E	1013981
שימוש עם DMAK-0024E	DMAK-0072E	1013982
שימוש עם DAWK-4001E	DAWS-4101E	1013986
שימוש עם DAWK-4011E	DAWS-4201E	1013988

חגורות מותן רזרביות (שלמות):

שימוש עם DAVK-0001E ו-DMAK-0021E	DAVV-1001E	1013989
שימוש עם DAVK-0003/04E ו-DMAK-0023/24E	DAVV-1003E	1013990
שימוש עם DAVK-0001E-DAC ו-DMAK-E0021-DAC	DAVV-1001E-DAC	1765066
שימוש עם DAVK-0003/04E-DAC ו-DMAK-0023/24E-DAC	DAVV-1003E-DAC	1765067

חלקים רזרביים ואביזרים (מכתור ברשטוי המוצר):

מס'	מס' פריט	תאור
1	1028821	מגן מצח וחבק הראש לדגמי DAVK Airvisor 2
2	1028822	מגן מצח וחבק הראש לדגמי DAVK Airvisor 2 MV
3	1028823	מכלול חבק ראש לערכת ריתוך DAVK Airvisor 2 FV-Series
4	1028824	מגן מצח וחבק ראש לערכת ריתוך DAVK Airvisor 2 W-Series
5	1028825	2 Airvisor מכלול צינור אספקת אוויר ומפזר לכל הדגמים
6	1028826	משקף אצטט (עמיד לכימיקלים) לשימוש עם DAVK-0001/03E
6	1028827	משקף פוליקרבוט (עמיד לחבטות) לשימוש עם DAVK-0004E
7	1001775	משקף אצטט (עמיד לכימיקלים) לשימוש עם DMAK-0021/23E (מארז של 5 יחידות)
7	1001774	משקף פוליקרבוט (עמיד לכימיקלים) לשימוש עם DMAK-0024E (מארז של 5 יחידות)
	1028870	רצועות אטימה למשקף לשימוש עם פריטי סעיף 7 (מארז של 10 יחידות)
8	1028828	משקף פוליקרבוט פנימי (עמיד לחבטות) לשימוש עם DAVK-4001E
9	1001732	כיסוי משקף חד-פעמיים לשימוש עם כל דגמי DAVK (מארז של 10 יחידות)
9	1001731	כיסוי משקף חד-פעמיים לשימוש עם כל דגמי DAVK (מארז של 50 יחידות)
10	1001778	כיסוי משקף חד-פעמיים לשימוש עם כל דגמי DMAK (מארז של 10 יחידות)
10	1001779	כיסוי משקף חד-פעמיים לשימוש עם כל דגמי DMAK (מארז של 50 יחידות)
11	1001749	כיסוי משקף חד-פעמיים לשימוש עם DAVK-4001E (מארז של 10 יחידות)
12	1013994	קסטת אטימה לפני עשויה מברד עבור דגמי DMAK (מארז של 5 יחידות)
13	1001748	מכלול אטימה לפניים ל-DAVK-4001E
14	1013994	קסטת אטימה לפניים ל-DAVK-4011E (מארז של 5 יחידות)
15	1001750	קסדת ריתוך ל-DAVK-4001E
16	1005103	קסדת ריתוך ל-DAVK-4011E
17	1001725	שקע שחרור מהיר זעיר High Flow
18	1028829	2 Airvisor מכלול וסת לכל הדגמים שאינם DAC
18	1765068	2 Airvisor מכלול וסת לכל דגמי DAC
19	1001672	מסנן פחם לכל הדגמים
20	1001674	בית חגורת מותן וחגורת בד
21	1028830	2 Airvisor תקע שחרור מהיר Special High Flow (ללא DAC)
21	1765069	2 Airvisor תקע שחרור מהיר כפול תפסים Special High Flow (DAC)
22	1028831	2 Airvisor שקע שחרור מהיר High Flow
23	1001726	צינור אספקת אוויר BlueLine באורך 5.3 מ' (עבור 2 Airvisor ללא DAC)
23	1001727	צינור אספקת אוויר BlueLine באורך 5.7 מ' (עבור 2 Airvisor לא DAC)
23	1004716	צינור אספקת אוויר BlueLine באורך 10 מ' (עבור 2 Airvisor ללא DAC)
23	1765070	צינור אספקת אוויר ירוק באורך 5.3 מ' (עבור 2 DAC Airvisor)
23	1765071	צינור אספקת אוויר ירוק באורך 5.3 מ' (עבור 2 DAC Airvisor)
23	1765072	צינור אספקת אוויר ירוק באורך 10 מ' (עבור 2 DAC Airvisor)
24	1001683	צינור אוויר לאקדה ריסוס (2.1 מ') לשימוש עם DAVK-E0001 ו-DMAK-E0021
25	1001733	ברדס בד חד-פעמי לשימוש עם כל דגמי DAVK ו-DMAK (מארז של 5 יחידות)
26	1001676	כיסוי ראש וצוואר עשוי מברד, חד-פעמי, לשימוש עם כל דגמי DAVK ו-DMAK (מארז של 5 יחידות)
27	1001754	כיסוי ראש וצוואר מעבך אש לשימוש עם DAVK-4011
28	1001738	תיק אחסון עשוי מברד לכל הדגמים

UPUTE ZA UPORABU RESPIRATORA S DOVODOM ZRAKA SAČUVAJTE ZA BUDUĆU UPORABU



Nemojte koristiti opremu prije nego pročitate ove upute i prođete obuku za rukovanje proizvodom.

UPUTE ZA UPORABU I ODRŽAVANJE



- **Komprimirani zrak omogućen proizvodima serije Airvisor 2 treba imati kvalitetu zraka za disanje koja udovoljava zahtjevima norme EN 12021. Honeywell preporučuje uporabu Clearflow sustava filtra kako bi oprema ispunila sve zahtjeve. Kvalitetu zraka treba povremeno provjeravati pomoću odgovarajuće opreme za testiranje. Prije ulaska u radnu zonu, slijedite upute navedene u nastavku.**
- **Airvisor 2 DAC (dvoručne radne spojnice) modeli imaju specifične dvoručne radne spojnice za dovod komprimiranog zraka, čime je omogućen specifičan oblik spoja i dodatna zaštita od neželjenih odspajanja.**

PROVJERE PRIJE UPORABE

- Provjerite funkciju zviždaljke za upozoravanje kako biste bili sigurni da je na respirator doveden odgovarajući volumen zraka (pogledajte upute u nastavku).
- Provjerite oštećenje cjelokupne opreme posebno uzimajući u obzir crijevo, cjevčicu za dovod zraka na viziru i košuljicu za lice.
- Nemojte koristiti respirator ako je oštećena košuljica za lice ili difuzor na cjevčici za dovod zraka jer će to ugroziti sigurnost.
- Pobrinite se da pokrov vizira pruža dobru vidljivost.

NAMJEŠTANJE OPREME

- Učvrstite pojas oko struka i namjestite ga tako da je udoban. Po potrebi, namjestite tkaninastu kapuljaču (25) a potom vizir.
- Držite vizir (6, 7, 8) podignut te prilagodite krunastu i naglavnu traku kako bi čvrsto nalijegala.
- Utaknite kraj cjevčice za dovod zraka na viziru (5) u malenu utičnicu za veliki protok s brzim otpuštanjem (17).
- Odaberite prikladnu duljinu crijeva zraka (23), maksimalno 10 metara, i spojite utičnicu za veliki protok s brzim otpuštanjem na ulaz zraka (21) na sklopu pojasa oko struka.
- Drugi kraj spojite na dovod filtriranog zraka.



Pri uporabi modela Airvisor 2 DAC koristite zeleno crijevo za dovod zraka. Plavo crijevo koristite za standardne modele Airvisor 2.

Prema potrebi, spojite pneumatski alat (24) na izlaz zraka (22) na sklopu pojasa oko struka.

Uključite dovod zraka i prilagodite tlak tako da je između 4,5 (61 psi) i 7 bara (102 psi) na ulazu sklopa pojasa oko struka (pogledajte poledinu prikaza opskrbnog tlaka). Pobrinite se da nema propuštanja zraka. Ako se oglasi zviždaljka upozorenja, povećajte ulazni tlak dok se upozorenje ne prekine. Ako se zviždaljka ne zaustavi nakon povećanja tlaka, zatvorite dovod zraka i ponovno ga pokrenite nakon što prilagodite tlak.

Ne zaboravite da kompleti opreme Airvisor 2 i Airvisor 2 MV korišteni u kombinaciji s pomoćnim pneumatskim alatom ili pištoljem za raspršivanje, zahtijevaju više ulazne tlakove (stoga je potrebna dodatna provjera). U takvim slučajevima alat treba koristiti prije nošenja respiratora - ako se oglasi zviždaljka upozorenja u ovim uvjetima, povećajte ulazni tlak dok se ne prekine upozorenje. Time je osigurana dovoljna količina zraka za vizir respiratora i pomoćni alat ili pištolj za raspršivanje.

Spustite vizir i poduzmite potrebne prilagodbe na krunskoj i naglavnoj traci kako biste omogućili optimalno nalijeganje košuljice koja se stavlja oko lica. Provjerite ima li vidljivih praznina između kože i košuljice za lice. U slučaju praznina, ponovno podesite uređaj dok se ne zatvore sve praznine. Sada ste spremni pristupiti kontaminiranom području. Ne zaboravite: ako se tijekom normalnih radnih uvjeta oglasi zviždaljka upozorenja, to znači da nije dovoljan protok zraka do vizira respiratora –odmah napustite kontaminiranu zonu, uklonite vizir i povećajte ulazni tlak do odgovarajuće razine.

Zamjena cjevčice za dovod zraka i sklopa difuzora (svi modeli):

- Ako je cjevčica za dovod zraka (5) pohabana ili oštećena, treba je zamijeniti kako bi se izbjeglo propuštanje zraka.
- Odvojite cjevčicu iz držača (nalazi se u utoru na stražnjoj strani naglavne maske te je postavljen na dvama pridržnim klinovima) i izvadite difuzor iz središnjeg, zakrivljenog držača nakon uklanjanja kapice.
- Instalirajte novi sklop tako da pažljivo napunite difuzor pjene na zakrivljenom držaču i vratite kapicu.
- Ponovno spojite cjevčicu za dovod zraka na vizir/okvir pomoću dva pridržna klina i pobrinite se da stavite cjevčicu u otvor na naglavnoj maski.

Zamjena jednokratnih pokrova vizira (svi modeli):

- Namjestite pokrov vizira (9/10/11) preko metalnih klinova na svakoj strani vizira.

Zamjena vizira (modeli DAVK-000*E & DAWK-4001E):

- Odspojite cjevčicu za dovod zraka na viziru (5) sa zaštite obrva.
- Dok držite zaštitu obrva, palcem i kažiprstom čvrsto pritisnite vrh vizira (6) s vanjske strane prema unutra.
- Skinite žljebove na rupi klina vizira s klinova zaštite obrva koji se nalaze na svakoj strani.
- Ako treba ponovno koristiti cjevčicu za dovod zraka na vizir, odvojite cjevčicu iz unutarnje strane vizira tako da pažljivo izvučete dva zadržna klina, u protivnom odbacite vizir i cjevčicu.
- Kod ponovnog sklapanja, provucite spojnik cjevčice zraka s brzim otpuštanjem prema gore kroz rupu u pjeni vizira.
- Namjestite cjevčicu za dovod zraka na vizir pomoću dva zadržna klina i središnjeg, zakrivljenog držača.
- Premjestite plave klinove zaštite za obrve u utore rupe klina na vrhu vizira te ih čvrsto pritisnite, zakrenite prema zaštiti obrva i uglavite.

Zamjena uloška košuljice za lice (modeli DMAK-002*E & DAWK-4011E):

- Stavite obrnuti Airvisor na ruku i držite za lijevani okvir.
- Slobodnom rukom držite dno uloška košuljice za lice te ga izvucite naglim pokretom iz vizira.
- Poravnajte zamjenski uložak (12, 14) ispod vizira.
- Počnite na jednom kraju i prelazite oko okvira te pričvrstite uložak na okvir vizira. Kod tekstilnih dijelova pobrinite se da slobodni krajevi prolaze unutar naglavne trake, a potom preklopite vanjsku stranu naglavne trake tako da preko njih stavite stražnju stranu pomoću pritisnih klinova - u slučaju dvojbe, pogledajte postojeću konfiguraciju prije rastavljanja.
- Uložak treba zamijeniti kada god postoje tragovi oštećenja ili nakupljanja prašine ili prljavštine.

Zamjena vizira (modeli DMAK-002*E & DAWK-4011E):

- Provjerite oštećenje brtvenih traka za pjenu, te ih po potrebi zamijenite.
- Uklonite vizir tako da ga pritisnete s unutrašnje strane.
- Namjestite bočni jezičak vizira u okolni utor vizira i pobrinite se da je gornji rub namješten u žlijeb zaštite obrva.
- Namjestite vizir (7) na području zakrivljenja vizira i konačno umetnite donje jezičke u uture štitnika brade.

Zamjena / postavljanje filtra za varenje (samo kompleti za varenje):

DAWK-4001E:

- Odvijte vijke hvataljke s unutarnje strane oplate
- Uklonite pokrovne ploče i filter
- Zamijenite filter, ako je potrebno
- Zamijenite hvataljke i vijke

DAWK-4011E:

U slučaju kompleta za varenje W serije, pristup sustavu za zadržavanje prozora vrši se s vanjske strane oplate za varenje nakon uklanjanja vanjskog svijetlo plavog poklopa. Zasjenjene staklene sklopove stakla prozora drži na mjestu fleksibilni sustav kopolci.

Zamjena patrone s ugljikom:



Patronu s ugljikom (19) treba mijenjati ako se otkrije miris ili nakon 1000 sati uporabe (maksimalno).

- Odspojite pojas oko struka s opskrbnog voda zraka, uklonite sva priključna crijeva i tri pričvrtna vijka.
- Nagnite prema naprijed i uklonite sklop regulatora te okrenite pojas oko struka kako biste skinuli patronu s ugljikom.
- Namjestite O-brtve na vrh i dno zamjenske patrone.
- Utaknite kućište i premjestite crnu stopicu na sklopu regulatora u utor na donjoj polovici kućišta pojasa oko struka.
- Ponovno namjestite vijke i spojite na dovod zraka.
- Provjerite dolazi li do propuštanja zraka.



Pri postavljanju zamjenskih dijelova upotrijebite samo dijelove tvrtke Honeywell kako biste omogućili maksimalnu sigurnost.

ČIŠĆENJE I DEZINFEKCIJA NAKON SVAKE UPORABE

- Uklonite prašinu i prljavštinu iz aparata pomoću vlažne krpice namočene u blago dezinfekcijsko sredstvo ili sapunicu.
- Ne uranjajte aparat u tekućinu.
- Nemojte koristiti otapalo ni nerazrijeđeni deterdžent koji bi mogao oštetiti aparat.
- Nemojte koristiti abrazivno sredstvo za čišćenje koje bi moglo oštetiti površinu aparata ili izgubiti vizir.
- Pričekajte da se potpuno osuši na dobro prozračenom mjestu podalje od izravne sunčeve svjetlosti i izvora visoke temperature ili toplinskog zračenja.
- Nakon čišćenja i dezinfekcije stavite aparat u torbu za čuvanje (28).



- Komprimirani zrak omogućen proizvodima serije Airvisor 2 treba imati kvalitetu zraka za disanje koja udovoljava zahtjevima norme EN 12021.
- Pobrinite se da se sadržaj vlage u zraku koji se udiše kontrolira prema граниčnim vrijednostima navedenima u normi EN 12021 kako biste izbjegli zaledivanje zraka u aparatu pri niskim temperaturama.
- Posebno treba paziti da aparat nije priključen na dodatne sustave dovoda zraka u radnoj zoni koji dovode plinove kvalitete zraka koja nije pogodna za disanje.
- Aparat se ne smije spajati na dovod kisika ili zraka obogaćenog kisikom.
- Na mjestima na kojima je više korisnika priključeno na sustav dovoda zraka, pobrinite se da sustav ima dovoljan kapacitet za opskrbu svakog korisnika.
- Uporaba Honeywell Blueline crijeva za zrak (standardni Airvisor 2) ili zelenog crijeva (Airvisor 2 DAC) i spojnice za veliki protok podliježe odobrenju; nemojte koristiti nijedan drugi tip crijeva niti prilagođavati crijeva koja nisu navedena za uporabu s vašim aparatima.
- Maksimalna duljina opskrbnog crijeva kod uređaja klase A je 10 metara, a sastoji se od jednog neprekinutog crijeva. Kraća crijeva ne smiju se spajati radi postizanja maksimalne duljine.
- Maksimalni (nazivni) radni tlak za Honeywell crijeva za dovod komprimiranog zraka je 10 bara.
- Nije prikladno za uporabu u područjima okolne temperature preko 35 °C; pazite da ne ostavite opremu u kabini za prskanje kada se pretvori u peč za sušenje.
- Ne smije se koristiti u uvjetima u kojima bi korisnik pretrpio nepovratnu štetu ako bi bio nezaštićen niti u okruženjima sa smanjenom koncentracijom kisika.
- Pri izrazito intenzivnim radnim uvjetima unutarnji tlak mogao bi postati negativan pri maksimalnom protoku kod udisanja.
- U kontaminiranom području pobrinite se da je vizir blokiran u spušenom položaju i odmah napustite opasnu zonu ako posumnjate na neispravnost ili se oglasi zviždaljka upozorenja.
- Zaštita od rastaljenog metala omogućena je samo kada se koriste jednokratni pokrovi vizira.
- Tamo gdje je prikladno, oznaka F1 pokazuje da se aparat i cjevčica za dovod komprimiranog zraka može koristiti u prilikama u kojima postoji opasnost od zapaljenja.
- Aparat možda neće omogućiti odgovarajući zaštitu u uvjetima izrazito toksičnih atmosfera. Korisnik je odgovoran da osigura prikladnost aparata za rad te pravilnu individualnu primjenu. Smjernice potražite od lokalnih nadležnih tijela.

Minimalni opskrbeni tlakovi na ulazu crijeva za dovod komprimiranog zraka:

		Opskrbeni tlak, bar (psi)	
Provrst opskrbnog crijeva (mm)	Duljina crijeva (m)	DAVK-0001E	DAVK-0003E, 0004E
		DMAK-0021E	DMAK-0023E, 0024E DAWK-4001E, 4011E
8	3,5	5,3 bara (77 psi)	4,5 bara (61 psi)
	7,5	5,4 bara (79 psi)	4,6 bara (63 psi)
	10	5,5 bara (80 psi)	4,7 bara (64 psi)



- Maksimalna duljina opskrbnog crijeva je 10 metara.
- Kod modela DAVK-0001E i DMAK-0021E, ako se u bilo kojem trenutku oglasi zviždaljka upozorenja tijekom rada pomoćnog alata ili pištolja za raspršivanje, povećajte ulazni tlak dok se upozorenje na prekine oglašavati. Time je osigurana dovoljna količina zraka koja dolazi do naglavne maske i vaša sigurnost.

TEHNIČKE INFORMACIJE

Certifikati / Odobrenje	CE odobreno (CE 0194)
Standard/sukladnost s regulativom	EN 14594:2005 (klasa A uređaja kratkog vijeka trajanja)
Nazivni faktori zaštite	Klasa 3 = modeli 200 DAWK Klasa 4 = modeli 2000 DAVK i DMAK
Vizir: Otporan na kemikalije Otporan na udarce	EN 166.2.F EN 166.2.B.9
Minimalni nazivni protok (prema proizvođaču) Maksimalni nazivni protok	260 l/min 290 l/min
Radni tlak	4,5 bara (61 psi) do 7,0 bara (102 psi)
Maksimalna radna temperatura	35°C
Patrona s ugljikom	Zamijeniti nakon 1000 sati ili ako se unutar naglavne maske osjeti miris

FAKTORI ZAŠTITE

Dodijeljeni faktor zaštite (APF) 40 znači da se respirator može koristiti u područjima kontaminacije do 40 puta veće od praga izlaganja na radnom mjestu.

U drugim geografskim područjima, uzmite u obzir nacionalne ili regionalne propise ili smjernice koje mijenjaju vrijednost faktora zaštite koji smijete koristiti prilikom odabira zaštite disanja.

SUSTAVI RESPIRATORA AIRVISOR

Br. artikla	Kat. br.	Opis
1013932	DAVK-0001E	Airvisor 2 komplet za raspršivanje boje
1013934	DAVK-0003E	Airvisor 2 komplet za kemikalije
1013935	DAVK-0004E	Airvisor 2 komplet za industrijsku namjenu
1013938	DMAK-0021E	Airvisor 2 MV komplet za raspršivanje boje
1013939	DMAK-0023E	Airvisor 2 MV komplet za kemikalije
1013980	DMAK-0024E	Airvisor 2 MV komplet za industrijsku namjenu
1013983	DAWK-4001E	Airvisor 2 FV serija kompleta za varenje
1013987	DAWK-4011E	Airvisor 2 W serija kompleta za varenje
1765058	DAVK-0001E-DAC	Airvisor 2 komplet za raspršivanje boje s dvoručnom radnom spojnicom
1765059	DAVK-0003E-DAC	Airvisor 2 komplet za kemikalije s dvoručnom radnom spojnicom
1765060	DAVK-0004E-DAC	Airvisor 2 komplet za industrijsku namjenu s dvoručnom radnom spojnicom
1765061	DMAK-0021E-DAC	Airvisor 2 MV komplet za raspršivanje boje s dvoručnom radnom spojnicom
1765062	DMAK-0023E-DAC	Airvisor 2 MV komplet za kemikalije s dvoručnom radnom spojnicom
1765063	DMAK-0024E-DAC	Airvisor 2 MV komplet za industrijsku namjenu s dvoručnom radnom spojnicom
1765064	DAWK-4001E-DAC	Airvisor 2 FV serija kompleta za varenje s dvoručnom radnom spojnicom
1765065	DAWK-4011E-DAC	Airvisor 2 W serija kompleta za varenje s dvoručnom radnom spojnicom

Pričuvne naglavne maske (kompletne):

1013936	DAVK-0051E	Za uporabu s modelom DAVK-0001/03E
1013937	DAVK-0052E	Za uporabu s modelom DAVK-0004E
1013981	DMAK-0071E	Za uporabu s modelom DMAK-0021/23E
1013982	DMAK-0072E	Za uporabu s modelom DMAK-0024E
1013986	DAWS-4101E	Za uporabu s modelom DAWK-4001E
1013988	DAWS-4201E	Za uporabu s modelom DAWK-4011E

Pričuvni pojasevi oko struka (kompletni):

1013989	DAVW-1001E	Za uporabu s modelima DAVK-0001E i DMAK-0021E
1013990	DAVW-1003E	Za uporabu s modelima DAVK-0003/04E i DMAK-0023/24E i DAWK-4001/11E
1765066	DAVW-1001E-DAC	Za uporabu s modelima DAVK-0001E-DAC i DMAK-0021E-DAC
1765067	DAVW-1003E-DAC	Za uporabu s modelima DAVK-0003/04E-DAC i DMAK-0023/24E-DAC i DAWK-4001/11E-DAC

Zamjenski dijelovi i pribor (prikazani na crtežima proizvoda):

Br.	Br. artikla	Opis
1	1028821	Zaštita obrva i naglavna traka za modele Airvisor 2 DAVK
2	1028822	Zaštita obrva i naglavna traka za modele Airvisor 2 MV DMAK
3	1028823	Sklop naglavne trake za seriju kompleta za varenje Airvisor 2 FV
4	1028824	Sklop naglavne trake i zaštita obrva za seriju kompleta za varenje Airvisor 2 W
5	1028825	Cjevčica za dovod zraka i sklop difuzora za sve modele Airvisor 2
6	1028826	Vizir od acetata (otporan na kemikalije) za uporabu s modelom DAVK-0001/03E
6	1028827	Vizir od polikarbonata (otporan na udarce) za uporabu s modelom DAVK-0004E
7	1001775	Vizir od acetata (otporan na kemikalije) za uporabu s modelom DMAK-0021/23E (paklet s 5 komada)
7	1001774	Vizir od polikarbonata (otporan na udarce) za uporabu s modelom DMAK-0024E (paklet s 5 komada)
	1028870	Brtvne trake za vizir za uporabu sa stavkom 7 (paklet s 10 komada)
8	1028828	Polikarbonatni unutarnji vizir (otporan na udarce) za upotrebu s modelom DAWK-4001E
9	1001732	Jednokratni pokrovi vizira za uporabu sa svim modelima DAVK (paklet s 10 komada)
9	1001731	Jednokratni pokrovi vizira za uporabu sa svim modelima DAVK (paklet s 50 komada)
10	1001778	Jednokratni pokrovi vizira za uporabu sa svim modelima DMAK (paklet s 10 komada)
10	1001779	Jednokratni pokrovi vizira za uporabu sa svim modelima DMAK (paklet s 50 komada)
10	1001749	Jednokratni pokrovi vizira za uporabu sa svim modelima DAWK-4001E (paklet s 10 komada)
12	1013994	Uložak za tkaninu za zatvaranje lica za modele DMAK (paklet s 5 komada)
13	1001748	Komplet tkanine za zatvaranje lica za modele DAWK-4001E
14	1013994	Uložak za tkaninu za zatvaranje lica za modele DAWK-4011E (pack of 5)
15	1001750	Oplata za varenje za model DAWK-4001E
16	1005103	Oplata za varenje za model DAWK-4011E
17	1001725	Mala utičnica za veliki protok s brzim otpuštanjem
18	1028829	Airvisor 2 sklop regulatora za sve modele koji nisu DAC
18	1765068	Airvisor 2 sklop regulatora za modele DAC
19	1001672	Patrona s ugljenom za sve modele
20	1001674	Kućište pojasa oko struka i pojasa od tkanine
21	1028830	Airvisor 2 (nije DAC) poseban utikač za veliki protok s brzim otpuštanjem
21	1765069	Airvisor 2 (DAC) poseban dvoručni utikač za veliki protok s brzim otpuštanjem
22	1028831	Airvisor 2 utičnica za veliki protok s brzim otpuštanjem
23	1001726	BlueLine crijevo za dovod zraka od 3,5 m (ne za modele DAC Airvisor 2)
23	1001727	BlueLine crijevo za dovod zraka od 7,5 m (ne za modele DAC Airvisor 2)
23	1004716	BlueLine crijevo za dovod zraka od 10 m (ne za modele DAC Airvisor 2)
23	1765070	Zeleno crijevo za dovod zraka od 3,5 m (za modele DAC Airvisor 2)
23	1765071	Zeleno crijevo za dovod zraka od 7,5 m (za modele DAC Airvisor 2)
23	1765072	Zeleno crijevo za dovod zraka od 10 m (za modele DAC Airvisor 2)
24	1001683	Crijevo za zrak pištolja za raspršivanje (1,2 m) za uporabu na modelima DAVK-0001E i DMAK-0021E
25	1001733	Jednokratna tkaninasta kapuljača za uporabu sa svim modelima DAVK i DMAK (paklet s 5 komada)
26	1001676	Jednokratna tkaninasta kapuljača za glavu i vrat za uporabu sa svim modelima DAVK i DMAK (paklet s 5 komada)
27	1001754	Vatrootporna zaštita za glavu i vrat za uporabu s modelom DAWK-4011E
28	1001738	Tkaninasta torba za čuvanje svih modela

SŰRÍTETT LEVEGŐS LÉGZŐKÉSZÜLÉK FELHASZNÁLÓI ÚTMUTATÓJA KÉRJÜK, ŐRIZZE MEG, MERT KÉSŐBB SZÜKSÉGE LEHET RÁ



A berendezést kizárólag a jelen útmutató elolvasása és a termékkel kapcsolatos oktatási ismeretek megszerzése után vegye használatba.

HASZNÁLATI ÉS KARBANTARTÁSI UTASÍTÁSOK



- Az Airvisor 2 termékszaladhoz használt sűrített levegőnek belégzésre alkalmas minőségűnek kell lennie (az EN 12021 szabvánnyal összhangban). A Honeywell a megfelelőség elősegítése érdekében javasolja a Clearflow szűrőrendszerek használatát. A levegőminőséget rendszeres időközönként ellenőrizni szükséges megfelelő teszterendezés segítségével. A munkaterületre történő belépés előtt ügyeljen az alábbi utasítások pontos betartására.
- Az Airvisor 2 DAC (dupla működésű csatlakozós) modellek speciális, dupla működésű csatlakozókat kínálnak a sűrített levegő-ellátáshoz, amivel további védelmet nyújtanak a véletlenszerű, váratlan lecsatlakoztatás ellen.

HASZNÁLAT ELŐTTI ELLENŐRZÉSEK

- A figyelmeztető sip működőképességének ellenőrzésével győződjön meg a légzőkészülék megfelelő mennyiségű sűrített levegő-ellátásáról (lásd alább az utasításokat).
- Vizsgálja át a teljes berendezést esetleges sérülésekre, különös figyelmet szentelve a tömlőnek, a sisakrostély adagolócsövének és az arcmaszknak.
- Ha az arcmaszok vagy a levegőellátó csövön található diffúzor megsérült, akkor ne használja a légzőkészüléket, hiszen az általa nyújtott védelem nem garantált.
- Győződjön meg róla, hogy a sisakrostély fedelei megfelelő látási körülményeket biztosítanak.

A BERENDEZÉS FELHELYEZÉSE

- Rögzítse a deréköv egységét a derekára, majd állítsa be azt kényelmesen. Szükség esetén a sisakrostély felhelyezése előtt felvehet egy szövet csuklyát (25) is.
- Tartsa felemelve a sisakrostélyt (6, 7, 8), majd állítsa be kellően feszesre a fejtetőszíjat és a fejpántot.
- Csatlakoztassa a sisakrostély levegőellátó csövének (5) végét a miniatűr High Flow gyorskioldó aljzathoz (17).
- Válasszon megfelelő hosszúságú (max. 10 méter hosszú) légtömlőt (23), majd csatlakoztassa a tömlőn található High Flow gyorskioldó aljzatot a deréköv egységén található levegőbemeneti nyíláshoz (21).
- A cső másik felét csatlakoztassa a szűrt levegőellátáshoz.



Airvisor 2 DAC modellek esetén a zöld levegőellátó tömlőt használja. A kék tömlők a normál Airvisor 2 modellekhez valók.

Szükség szerint csatlakoztassa a pneumatikus eszközt (24) a deréköv egységen található levegőkimeneti nyíláshoz (22).

Kapcsolja be a levegőellátást és állítsa a nyomást 4,5 bar (61 psi) és 7 bar (102 psi) közötti értékre a deréköv egység bemeneti nyílásánál (lásd a tápnomási táblázatot a túldalalon). Ügyeljen rá, hogy a levegő sehol ne szivárogojon. Ha a figyelmeztető sip hangját hallja, akkor növelje a bemeneti nyomást, amíg a hang meg nem szűnik. Ha a nyomás növelését követően a sipolás nem szűnik meg, akkor zárja el a levegőellátást, majd a nyomás beállítását követően kezdje újra a folyamatot.

Ne feledje, hogy az Airvisor 2 és Airvisor 2 MV készletek kiegészítő pneumatikus eszközzel vagy szórópisztollyal történő együttes használatához nagyobb bemeneti nyomás szükséges, ami további ellenőrzést igényel. Ilyen típusú munkavégzésnél az eszközt ki kell próbálni a légzőkészülék felhelyezése előtt. Ha ekkor a figyelmeztető sip megszólal, növelje a bemeneti nyomást, amíg a hang meg nem szűnik. Ezzel biztosítható a légzőkészülék sisakrostélyának és a kiegészítő eszköznek vagy szórópisztolynak a megfelelő levegőellátása.

Engedje le a sisakrostélyt, és közben szükség szerint állítsa be a fejtetőszíjat és a fejpántot az arcmaszok arc körüli ideális illeszkedés érdekében. Ügyeljen rá, hogy a bőrfelület és az arcmaszok között ne legyenek egyértelmű, látható hézagok. Ha hézagot észlel, módosítsa a szíj/pánt beállítását a hézagok megszüntetéséhez. Most már beléphet a szennyezett területre. Megjegyzés: ha a figyelmeztető sip normál munkakörülmények között megszólal, akkor a légzőkészülék sisakrostélyának levegőellátása elégtelen. Ilyen esetben azonnal hagyja el a szennyezett területet, távolítsa el a sisakrostélyt és növelje a bemeneti nyomást, amíg szükséges.

A levegőellátó cső és a diffúzor egység cseréje (összes modellnél):

- Ha a levegőellátó cső (5) elkopott vagy megsérült, akkor azt a szivárgások megelőzése érdekében ki kell cserélni.
- Válassza le a csövet a rögzítési pontokról (ideértve a fejrész hátulján található bemetszést és a két átlátszó rögzítőpecket), majd a sapka eltávolítását követően húzza ki a diffúzort a középpontosan felszerelt, íves tartószerkezetből.
- Az új egység beszereléséhez óvatosan tolja be a hab diffúzort az íves tartószerkezetbe, majd pattintsa vissza a sapkát a helyére.
- Helyezze vissza a levegőellátó csövet a sisakrostélyra/vázra a két rögzítőpecek segítségével és közben ügyeljen rá, hogy a cső pontosan illeszkedjen a fejrész bemetszésébe.

Eldobható sisakrostélyfedelek cseréje (összes modellnél):

- Keresse meg a fém csapok felett található sisakrostélyfedeleket (9/10/11) a sisakrostély mindkét oldalán.

Sisakrostély cseréje (DAVK-000*E és DAWK-4001E modelleknél):

- Válassza le a sisakrostély levegőellátó csövét (5) az arcvédőről.
- Tartsa egy helyben az arcvédőt, majd a hűvelyk- és mutatóúja segítségével nyomja erősen a sisakrostély tetejét (6) kívülről befelé.
- Akassza ki a sisakrostély csapszegfuratait az arcvédő két oldalán található kék pecekkel.
- Ha a sisakrostély levegőellátó csövet szeretné új felhasználni, akkor pattintsa le a csövet a sisakrostély belsejéről a két átlátszó rögzítőpecek kihúzásával. Ellenkező esetben selejtezze ki a sisakrostélyt és a csövet is.
- Az összeszerelés során vezesse be a levegőellátó cső gyorskioldó csatlakozóját felfelé, a sisakrostély habos részén található nyíláson keresztül.
- A sisakrostély levegőellátó csővének rögzítéséhez használja a két átlátszó rögzítőpecket, valamint a középpontosan rögzített, íves tartószerszerkezetet.
- Helyezze vissza az arcvédőn található kék peckekeket a sisakrostély tetején található csapszegfuratokba, majd a peckekeket nyomja le erősen és tekerje az arcvédő irányába a rögzítéshez.

Arcmaszpatron cseréje (DMAK-002*E és DAWK-4011E modelleknél):

- Rögzítse az invertált Airvisor készüléket a karjára és fogja meg az öntött vázat.
- A szabad kezével fogja le az arcmaszpatron alsó felét, és egyetlen gyors mozdulattal húzza azt le a sisakrostélyről.
- Illesse be a cserepatront (12, 14) a sisakrostély alá.
- Kezdje az egyik oldalon, majd a váz körül haladva pattintsa rá a patronra a sisakrostély vázára. A szövet részeknél ügyeljen rá, hogy a szabad végek bekerüljenek a fejpánt alá, majd hajtsa le a fejpánt külső részét és rögzítse azt a fejpánthoz a nyomó csapszeggek segítségével. Ha kétélye támad, akkor a szétszerelés előtt tanulmányozza át a meglévő konfigurációt.
- Ha bármilyen külsérelmi nyom, illetve lerakódott por vagy egyéb szennyeződés látható a patronban, akkor azt ki kell cserélni.

Sisakrostély cseréje (DMAK-002*E és DAWK-4011E modelleknél):

- Ellenőrizze a hab tömítőszalagok épségét. Ha sérültek, cserélje ki őket.
- Az eltávolításhoz nyomja a sisakrostélyt belülről kifelé.
- Keresse meg a sisakrostély oldalsó fülét a sisakrostély keretének foglatában, és győződjön meg róla, hogy a felső él az arcvédő hornyában fekszik.
- Vezesse körbe a sisakrostélyt (7) a sisakrostély keretének íves része körül, majd helyezze az alsó füleket az állvédő furataiba.

Csere / hegesztőszűrő felszerelése (csak a hegesztőkészletek esetén)

DAWK-4001E:

- Csavarja le a lencsét leszorító csavarokat a pajs belsejében.
- Szerelje le a fedőlemezeket és a szűrőt.
- Szükség esetén cserélje a szűrőt.
- Tegye vissza a csapszakokat és a csavarokat.

DAWK-4011E:

W sorozatú hegesztőkészletek esetén az ablakhoz való hozzáférés a hegesztőpajzs külseje felől történik, ha leszerelte a világoskék külső borítást. A nyílás árnyékoló üveg-szerelvénnyel flexibilis csipetítő rendszer tartja a helyén.

Szénpatron cseréje:



A szénpatron (19) cserére szorul legfeljebb 1000 üzemóránként, illetve ha bármilyen szagot észlel a patronban.

- Válassza le a derékövet a levegőellátásról, majd távolítsa el a csatlakozótömlőket és a három rögzítőcsavart.
- Billentse előre és távolítsa el a szabályozóegységet, majd fordítsa ki a derékövet a szénpatron eltávolításához.
- Helyezze fel az O-gyűrűket a cserepatron aljára és tetejére.
- Helyezze vissza a szabályozóegységen található fekete fület a deréköv burkolatának alsó felén található furatba.
- Szerelje vissza a csavarokat és csatlakoztassa a levegőellátást.
- Ellenőrizze az esetleges levegőszivárgást.



A fogyóeszközök cseréje során mindig eredeti Honeywell alkatrészeket használjon a megfelelő védelmi szint fenntartása érdekében.

HASZNÁLAT UTÁNI TISZTÍTÁS ÉS FERTŐTLENÍTÉS

- A készüléket lerakódott por vagy szennyeződés eltávolításához használjon egy enyhe fertőtlenítőszerbe vagy szappanos oldatba mártott nedves törülkövendőt.
- A készüléket ne merítse folyadékba.
- Ne használjon oldószert vagy koncentrát (hígítás nélküli) tisztítószert, ellenkező esetben a készülék megrongálódhat.
- Ne használjon dörzshatású tisztítószert, mivel az felsértheti a készülék külső felületét és megkarcolhatja a sisakrostélyt.
- Hagyja a készüléket teljesen megszáradni egy megfelelően szellőző, napfénytől és magas hőmérsékletű hőforrásoktól elzárt területen.
- A tisztítást és fertőtlenítést követően tegye a készüléket a tárolókádba (28).



- Az Airvisor 2 termékcsaládhoz használt sűrített levegőnek belégzésre alkalmas minőségűnek kell lennie (az EN 12021 szabvánnyal összhangban).
- Ügyeljen a belégzendő levegő nedvességtartalmának az EN 12021 szabványban előírt tartományon belül tartásához, hogy a rendkívül alacsony hőmérsékletű levegő se tudja befagyasztani a készüléket.
- Fokozottan ügyeljen rá, hogy a készüléket véletlenül se csatlakoztassák a munkahelyen található másik pneumatikus rendszerhez, ami belégzésre alkalmatlan minőségű levegőt szállít.
- A készüléket nem szabad oxigén- vagy oxigéndús levegőellátó rendszerre csatlakoztatni.
- Ha a levegőellátó rendszerhez egynél több felhasználó készülékét csatlakoztatják, akkor győződjön meg róla, hogy a rendszer minden felhasználó számára megfelelő kapacitással rendelkezik.
- A Honeywell BlueLine légtömlő (normál Airvisor 2), illetve zöld tömlő (Airvisor 2 DAC) és a High Flow csatlakozások használata szerves részét képezi a vállalat által jóváhagyott felhasználási módnak. Ne használjon másik típusú tömlőt, és ne próbálja módosítani a készülékekhez mellékelte tömlőt.
- „A” osztályú berendezéseknél a maximális megengedett levegőellátó-tömlőhossz 10 méter (megszakítás nélkül, egy darabban). A maximális hossz eléréséhez tilos több rövidebb csövet egymáshoz csatlakoztatni.
- A Honeywell sűrített levegős tömlők maximális (névleges) üzemi nyomása 10 bar.
- A készülék nem alkalmas 35 °C feletti hőmérsékleten történő használatra. A készüléket soha ne hagyja a szórókamrában szárítókemencévé történő átalakítás esetén.
- A készülék nem használható a felhasználó visszafordíthatatlan egészségkárosodását okozó környezetben (megfelelő védelem nélkül), illetve oxigénhiányos környezetben.
- Gyakran előfordul, hogy a fejrészben lévő nyomás a belégzési csúcserék elérésekor negatívvá válik.
- Szennyezett területen történő munkavégzés során a sisakrostély le kell engedni és rögzíteni kell ebben a pozícióban. Ha gyanús körülményt észlel vagy meghallja a figyelmeztető sípot, akkor azonnal hagyja el a szennyezett területet.
- Az olvasztottfém-védelem kizárólag az eldobható sisakrostélyfedelek használata esetén biztosított.
- Az F1 jelzés (ha megtalálható a készüléken) azt jelzi, hogy a készülék és a sűrített levegő-ellátó cső gyúlékony környezetben is használható.
- Előfordulhat, hogy a készülék nem nyújt megfelelő védelmet bizonyos erősen toxikus környezetben. A felhasználó felelőssége eldönteni, hogy a készülék alkalmas-e az elvégzendő munkához, és megfelelő védelmet nyújt-e az adott felhasználó számára. Kérjük, hogy további útmutatásért tekintse meg a helyi törvényi előírásokat.

Minimális tápnyomás a sűrített levegő-ellátó tömlő bemeneténél:

Táptömlő furata (mm)	Tömlőhossz (m)	Tápnyomás barban (psi)	
		DAVK-0001E DMAK-0021E	DAVK-0003E, 0004E DMAK-0023E, 0024E DAWK-4001E, 4011E
8	3,5	5,3 bar (77 psi)	4,5 bar (61 psi)
	7,5	5,4 bar (79 psi)	4,6 bar (63 psi)
	10	5,4 bar (80 psi)	4,7 bar (64 psi)



- A táptömlő maximális megengedett hossza 10 méter.
- Ha a DAVK-0001E és DMAK-0021E modellnél a kiegészítő eszköz vagy szórópisztoly használata során a figyelmeztető síp megszólal, akkor növelje a bemeneti nyomást a hangjelzés megszűnéséig. Így biztosítható a fejrész megfelelő levegőellátását és ezáltal az Ön folyamatos védelme.

MŰSZAKI ADATOK

Tanúsítvány/jóváhagyás	CE jóváhagyás (CE 0194)
Szabvány/megfelelőség	EN 14594:2005 (könnyű üzem, „A” osztály)
Névleges védelmi tényezők	3. osztály = 200 DAWK modellek 4. osztály = 2000 DAVK és DMAK modellek
Sisakrostély: Vegyszerállóság Ütésállóság	EN 166.2.F EN 166.2.B.9
Gyártó által közölt minimális névleges légáramlási érték Maximum légáramlási érték	260 l/min 290 l/min
Üzemi nyomás	4,5 bar (61 psi) és 7,0 bar (102 psi) között
Maximális üzemi hőmérséklet	35°C
Szénpatron	Cserélje ki 1000 üzemóránként vagy ha bármilyen szagot észlel a fejrész belsejében

VÉDELMI TÉNYEZŐK

A 40-es jelzett védelmi tényező (Assigned Protection Factor, APF) azt jelenti, hogy a légzőkészülék olyan helyen használható, amelynek szennyezettsége nem lépi túl a munkahelyi expozíciós határérték legfeljebb 40-szeresét.

Egyéb földrajzi területeken tekintse meg a nemzeti vagy regionális előírásokat és útmutatásokat, amelyek adott esetben más védelmi értékeket írhatnak elő a légzésvédelmi készülékek használatára vonatkozóan.

AIRVISOR LÉGZÉSSÉGÍTŐ RENDSZEREK

Cikkszám	Modellszám	Leírás
1013932	DAVK-0001E	Airvisor 2 festékszóró készlet
1013934	DAVK-0003E	Airvisor 2 vegyi készlet
1013935	DAVK-0004E	Airvisor 2 ipari készlet
1013938	DMAK-0021E	Airvisor 2 MV festékszóró készlet
1013939	DMAK-0023E	Airvisor 2 MV vegyi készlet
1013980	DMAK-0024E	Airvisor 2 MV ipari készlet
1013983	DAWK-4001E	Airvisor 2 FV sorozatú hegesztőkészlet
1013987	DAWK-4011E	Airvisor 2 W sorozatú hegesztőkészlet
1765058	DAVK-0001E-DAC	Airvisor 2 festékszóró készlet dupla működésű csatlakozóval
1765059	DAVK-0003E-DAC	Airvisor 2 vegyi készlet dupla működésű csatlakozóval
1765060	DAVK-0004E-DAC	Airvisor 2 ipari készlet dupla működésű csatlakozóval
1765061	DMAK-0021E-DAC	Airvisor 2 MV festékszóró készlet dupla működésű csatlakozóval
1765062	DMAK-0023E-DAC	Airvisor 2 MV vegyi készlet dupla működésű csatlakozóval
1765063	DMAK-0024E-DAC	Airvisor 2 MV ipari készlet dupla működésű csatlakozóval
1765064	DAWK-4001E-DAC	Airvisor 2 FV sorozatú hegesztőkészlet dupla működésű csatlakozóval
1765065	DAWK-4011E-DAC	Airvisor 2 W sorozatú hegesztőkészlet dupla működésű csatlakozóval

Tartalék fejrészek (teljes):

1013936	DAVK-0051E	DAVK-0001/03E modellel történő használatra
1013937	DAVK-0052E	DAVK-0004E modellel történő használatra
1013981	DMAK-0071E	DMAK-0021/23E modellel történő használatra
1013982	DMAK-0072E	DMAK-0024E modellel történő használatra
1013986	DAWS-4101E	DAWK-4001E modellel történő használatra
1013988	DAWS-4201E	DAWK-4011E modellel történő használatra

Tartalék derékövek (teljes):

1013989	DAVV-1001E	DAVK-0001E és DMAK-0021E modellel történő használatra
1013990	DAVV-1003E	DAVK-0003/04E és DMAK-0023/24E és DAWK-4001/11E modellel történő használatra
1765066	DAVV-1001E-DAC	DAVK-0001E-DAC és DMAK-0021E-DAC modellel történő használatra
1765067	DAVV-1003E-DAC	DAVK-0003/04E-DAC és DMAK-0023/24E-DAC és DAWK-4001/11E-DAC modellel történő használatra

Cserealkatrészek és kiegészítők (lásd a termékrajzokon):

Szám	Cikkszám	Leírás
1	1028821	Arcvédő és fejpánt az Airvisor 2 DAVK modellekhez
2	1028822	Arcvédő és fejpánt az Airvisor 2 MV DAVK modellekhez
3	1028823	Fejpánt-szerelvény Airvisor 2 FV sorozatú hegesztőkészlethez
4	1028824	Arcvédő és fejpánt Airvisor 2 W sorozatú hegesztőkészlethez
5	1028825	Airvisor 2 levegőellátó cső és diffúzor minden modellhez
6	1028826	Acetát sisakrostély (vegyszerálló) a DAVK-0001/03E modellel történő használatra
6	1028827	Polikarbonát sisakrostély (ütésálló) a DAVK-0004E modellel történő használatra
7	1001775	Acetát sisakrostély (vegyszerálló) a DMAK-0021/23E modellel történő használatra (5 darabos kiszerelés)
7	1001774	Polikarbonát sisakrostély (ütésálló) a DMAK-0024E modellel történő használatra (5 darabos kiszerelés)
	1028870	Sisakrostély-tömlőszalagok a 7-es tétellel történő használatra (10 darabos kiszerelés)
8	1028828	Polikarbonát belső (ütésálló) sisakrostély DAWK-4001E modellhez
9	1001732	Eldobható sisakrostélyfedél az összes DAVK modellhez (10 darabos kiszerelés)
9	1001731	Eldobható sisakrostélyfedél az összes DAVK modellhez (50 darabos kiszerelés)
10	1001778	Eldobható sisakrostélyfedél az összes DMAK modellhez (10 darabos kiszerelés)
10	1001779	Eldobható sisakrostélyfedél az összes DMAK modellhez (50 darabos kiszerelés)
11	1001749	Eldobható sisakrostélyfedél DAWK-4001E modellhez (10 darabos kiszerelés)
12	1013994	Szövet arcszigetelő patron a DMAK modellekhez (5 darabos kiszerelés)
13	1001748	Szövet arcszigetelő szerelvény DAWK-4001E modellhez
14	1013994	Szövet arcszigetelő patron DAWK-4011E modellhez (5 darabos kiszerelés)
15	1001750	Hegesztőpajzs DAWK-4001E modellhez
16	1005103	Hegesztőpajzs DAWK-4011E modellhez
17	1001725	Miniátúr High Flow gyorskioldó aljzat
18	1028829	Airvisor 2 szabályozóegység az összes nem DAC modellhez
18	1765068	Airvisor 2 szabályozóegység az összes DAC modellhez
19	1001672	Szénpatron minden modellhez
20	1001674	Derékövbukkolat és szövetből készült öv
21	1028830	Airvisor 2 (nem DAC) speciális High Flow gyorskioldó csatlakozó
21	1765069	Airvisor 2 (DAC) speciális High Flow gyorskioldó, kétkezes csatlakozó
22	1028831	Airvisor 2 High Flow gyorskioldó aljzat
23	1001726	BlueLine levegőellátó tömlő 3,5 m (nem DAC Airvisor 2 modellekhez)
23	1001727	BlueLine levegőellátó tömlő 7,5 m (nem DAC Airvisor 2 modellekhez)
23	1004716	BlueLine levegőellátó tömlő 10 m (nem DAC Airvisor 2 modellekhez)
23	1765070	Zöld levegőellátó tömlő 3,5 m (DAC Airvisor 2 modellekhez)
23	1765071	Zöld levegőellátó tömlő 7,5 m (DAC Airvisor 2 modellekhez)
23	1765072	Zöld levegőellátó tömlő 10 m (DAC Airvisor 2 modellekhez)
24	1001683	Szórópisztoly-levegőtömlő (1,2 m) DAVK-0001E és DMAK-0021E modellel történő használatra
25	1001733	Eldobható szövet csuklya az összes DAVK és DMAK modellhez (5 darabos kiszerelés)
26	1001676	Eldobható szövet fej- és nyakvédő az összes DAVK és DMAK modellhez (5 darabos kiszerelés)
27	1001754	Tűzálló fej- és nyakvédelem DAWK-4011E modellhez
28	1001738	Szövet tárolótáska minden modellhez

NOTKUNARLEIÐBEINGAR FYRIR LOFTKNÚNA ÖNDUNARGRÍMU GEYMDU TIL NOTKUNAR Í FRAMTÍÐINI



Ekki nota þennan búnað áður en þú lest þessar leiðbeiningar og færð þjálfun í að nota öndunargrímuna.

LEIÐBEINGAR FYRIR NOTKUN OG VIÐHALD



- Þrýstiloft er veitt til Airvisor 2, sem er vöruhöpur sem verður að hafa öndunarloft í góðum gæðum og samræmi við EN 12021. Honeywell mælir með notkun á Clearflow-siukerfi til að tryggja að farið sé eftir lögum. Gæði öndunarlofts ætti að athuga reglulega með því að nota viðeigandi prófunarbúnað. Farðu eftir eftirfarandi leiðbeiningum áður en þú ferð inn á vinnusvæðið.
- Gerðirnar 2 DAC-lofthjálmsgrímur (tvíhanda tengi) eru með sérstök tvíhanda tengi fyrir þrýstiloftgjafa, sem þýðir sérstakt tengingarsnið og auka vörn gegn óvæntum aftengingum loftgjafa.

ATHUGANIR FYRIR NOTKUN

- Athugaðu notkun viðvörnarflautunnar til að tryggja að rétt loftmagn sé veitt í öndunargrímuna (sjá leiðbeiningarnar hér að neðan).
- Skoðuðu allan búnað vegna skemmda, skoðuðu sérstaklega slöngu, aðrennsliör hlífðarglers og andlitssvuntu.
- Ekki nota öndunargrímuna ef andlitssvuntan eða dreifirinn á loftfæðislöngunni er skemmdur, þar sem það mun hafa áhrif á vörminna.
- Tryggðu að hlíf hlífðarglersins veiti gott ústýrni.

AÐ SETJA BÚNAÐINN UPP

- Festu mittisbeltið um mittið og stilltu þangað til að það er orðið þægilegt. Settu upp hettuna (25) og síðan hlífðarglerið ef þess gerist þörf.
- Haltu hlífðarglerinu (6, 7, 8) uppi og stilltu spennuólina og höfuðbandið svo að passi vel.
- Tengdu endann á loftfæðislöngu (5) hlífðarglersins í hálfæðisflýtilosunartengið (17).
- Veldu hentuga lengd á loftsöngu (23), allt að 10 metra og tengdu hálfæðisflýtilosunartengið á slöngunni í loftinntakið (21) á mittisbeltinu.
- Tengdu hinn endann í loftgjafann með síunni.



Þegar notaðar 2 DAC-lofthjálmsgrímur, skaltu nota græna loftsöngu. Notaðu bláa slöngu fyrir venjulega gerð af Airvisor 2.

Tengdu loftknúna tækið (24) ef þess er þörf, í loftúttakið (22) á mittisbeltinu.

Kveiktu á loftgjafanum og stilltu þrýstinginn á milli 4,5 bór (61 psi) og 7 bór (102 psi) á inntaki mittisbeltisins (sjá töflu í bakhliðinni fyrir loftþrýsting). Gakktu úr skugga um að ekkert loft leki. Ef viðvörnarflautan hljómar, auktu loftþrýstinginn þangað til að hann stoppar. Ef vill svo til að flautan hættir ekki þegar þú eykur loftþrýstinginn, lokaðu þá fyrir loftið og byrjaðu aftur eftir að hafa stillt þrýstinginn.

Vinsamlegast hafðu í huga að búnaður Airvisor 2 og Airvisor 2 MV er notaður í sambandi við loftknúinn tæki eða sprautu, sem þurfa meiri loftþrýsting (svo að gera verður auka sannpröfun). Ef það gengur á þennan hátt verður tækið að vera í gangi áður en öndunargrímur er tekin í notkun. Ef heyrst í viðvörnarflautunni við þessar aðstæður, auktu loftþrýstinginn þangað til að hann hættir. Þetta tryggir að það sé nægjanlegt loft, bæði fyrir öndunargrímuna og aukabúnað eða sprautu.

Láttu hlífðarglerið síga, stilltu spennuólina og höfuðbandið til að tryggja að andlitssvuntan passi sem best um andlitið. Athugaðu með hverskonar sjáanleg bil milli hörunds og andlitssvuntu. Ef þú finnur bil, endurstilltu búnaðinn þangað til að buið er að loka bilunum. Þú ert núna tilbúinn til að fara inn á vinnusvæðið. Hafðu í huga að ef viðvörnarflautan hljómar við venjulegar vinnuáðstæður, gefur það til kynna að það sé ekki nógu mikið loftfæði í öndunargrímuna. Þá skaltu yfirgefa vinnusvæðið þegar í stað og fjarlægðu síðan hlífðarglerið og auka loftþrýstinginn eins og hæfilegt þykir.

Endurnýjun á loftsöngum og dreifisamstæðu (allar gerðir):

- Ef loftsöngslangan (5) er slitin eða skemmd, þá verður að skipta um hana til að koma í veg fyrir leka.
- Losaðu slönguna frá festingarstöðum þess (fest á hakið aftan á höfuðbúnaðinum og á tvö herslutitti) og taktu síðan dreifirinn frá miðlægu bognu festingunni eftir að hafa fjarlægt hettuna.
- Komdu nýri samstæðu fyrir með því að koma dreifir frauðsins fyrir á bognu festingunni og með því að smella hettunni aftur á sinn stað.
- Festu aftur loftsönguna í hlífðarglerið/grindina með því að nota herslutittina tvo og vertu viss um að festa slönguna á hakið í höfuðbúnaðinum.

Endurnýjun á hlífum hlífðarglersins sem hægt er að farga (allar gerðir):

- Staðsettu hlíf hlífðarglersins (9/10/11) yfir málmtittina á sitthvorri hlið hlífðarglersins.

Endurnýjun á hlífðargleri (DAVK-000°E og DAWK-4001E gerðirnar):

- Aftengdu loftsöngu hlífðarglersins (5) frá augnabrunahlífinni.
- Haltu á augnabrunahlífinni (6) og ýttu þétt inn utanfrá með því að nota þumalputtann og vísifingur.
- Afkræktu góð hlífðarglersins frá bláu tittum augnabrunahlífarinnar á sitthvorri hlið.
- Ef á að nota loftsöngu hlífðarglersins aftur verður að aftengja slönguna frá innanverðu hlífðarglerinu með því að toga herslutittina tvo varlega út.
- Komdu flýtilosunartengi loftsöngunnar í gegnum gatið á hlífðargleri frauðsins til að setja saman aftur.
- Festu loftsöngu hlífðarglersins á herslutittina tvo og á bognu miðlægu festinguna.
- Endurstaðsettu bláu titti augnabrunahlífarinnar í götin efst á hlífðarglerinu og ýttu fast, snúðu í átt að augnhlífinni og smelltu á sinn stað.

Endurnýjun á andlitssvuntun (DMAK-002*E og DAWK-4011E gerðirnar):

- Settu Airvisor á hvolf á handlegginn og haltu mótuðu grindinni.
- Með lausu hendinni skaltu halda neðst í andlitssvuntuna og toga hana frá hlífðarglerinu með einu skjótu handtaki.
- Stilltu nýju andlitssvuntuna (12, 14) undir hlífðarglerid.
- Smelltu andlitssvuntuna á grind hlífðarglersins með því að byrja á eina endanum og farðu í kringum grindina. Tryggðu að lausu endarnir á fataefninu séu innan í höfuðbandinu, brjótu síðan utanvert höfuðbandið saman og festu afturhlutann með því að nota þrýstilittina - ef vafi leikur á hvernig þetta er gert, skoðuðu hvernig núverandi uppsetning er á sundurhlutun.
- Skipta ætti um andlitssvuntuna ef einhver merki um skemmdir finnast eða mikið ryk og óhreinindi hafa safnast saman.

Endurnýjun á hlífðargleri (DMAK-002*E og DAWK-4011E gerðirnar):

- Athugaðu þéttiborða frauðsins vegna skemmda. Skiptu um ef nauðsynlegt þykir.
- Fjarlægðu hlífðarglerid með því að ýta á það frá innanverðu.
- Staðsettu hlífðarflipa hlífðarglersins í raufar umgarðar hlífðarglersins og tryggðu að efri brúnnin er staðsett í rauf augnabruháhlifinni.
- Komdu hlífðarglerinu (7) í kringum umgerð hlífðarglersins og staðsettu að síðustu neðri flipana í raufar hökuhlifarnar.

Endurnýjun / Að koma fyrir logsuðubúnaði (aðeins logsuðubúnaður)

DAWK-4001E:

- Losaðu klemmuskrúfurnar á linsunni innan í hjálmgrindinni.
- Fjarlægðu hlífðarplötur og síu
- Skiptu um síu ef nauðsynlegt þykir
- Skiptu um klemmu og skráfúr.

DAWK-4011E:

Í tilfellum logsuðubúnaðar W-Series, er aðgangurinn að hersluckeri glersins utan á hjálmgrindinni þegar búið er að fjarlægja ljósbláu ytri hlífina. Skygga glerid er haldið fast á sínum stað með svegjanlegu klemmukerfi.

Endurnýjun kolefnishylkja:



Skipta ætti um kolefnishylki (19) ef lykt greinist eða eftir 1.000 klukkustunda notkun (hámark).

- Losaðu mittisbeltid frá loftgafanum og fjarlægðu allar tengingarslöngur og festingarskrúfurnar þrjár.
- Hallaðu fram og fjarlægðu þrýstijafnara og snúðu við mittisbeltinu til að fjarlægja kolefnishylkið.
- Komdu O-þéttingu efst og neðst á nýja hylkinu.
- Komdu fyrir í hlífðarhúsinu og komdu svarta eyranu á þrýstijafnarann í raufina á neðri hluta hlífðarhúss mittisbeltisins.
- Komdu skráfúrum aftur fyrir og tengdu loftslönguna.
- Athugaðu með leka á lofti.



Notaðu aðeins Honeywell aukahluti til að viðhalda hámarks vernd þegar nýjum íhlutum er komið fyrir.

ÞRIF OG SÓTTREINSUN EFTIR HVERJA NOTKUN

- Fjarlægðu ryk og óhreinindi frá tækinu með því að nota rakan klút vættan úr mildu sóttreinsiefni eða sápuvatni.
- Ekki sökva búnaðinum ofan í vatn.
- Ekki nota leysiefni eða óþynnt hreinsiefni sem geta skemmt búnaðinn.
- Ekki nota hrjúfar hreinsivörur sem geta skemmt yfirborðið á búnaðinum eða rispað hlífðarglerid.
- Láttu búnaðinn þorna að fullu í vel loftræstu svæði frá beinu sólarljósi og hitagjöfum eða geislahita.
- Komdu búnaðinum í geymslupoka (28) eftir þrif og sóttreinsun.



- Þrýstiloft er veitt til Airvisor 2, sem er vöruhópur sem verður að hafa öndunarloft í góðum gæðum og í samræmi við EN 12021.
- Tryggðu að raka öndunarloftsins sé stjórnað innan markanna sem sett eru fram í EN 12021, til að koma í veg fyrir að loft frjósi í búnaðinum við lágt hitastig.
- Sérstaka aðgát skal hafa til að tryggja að búnaðurinn sé ekki tengdur við aukaloftleiðsluckerfi á vinnustað sem er með önnur gös en ómengað öndunarloft.
- Ekki ætti að tengja búnaðinn við súrefnisgjafa eða súrefnisbætt loft.
- Þegar fleiri en einn notandi er tengdur við loftveitukerfið verður að tryggja að kerfið hafi nægjanlega getu til að sjá fyrir tveimur notendum.
- Notkun Honeywell BlueLine loftslöngunar (venjuleg Airvisor 2) eða grænnar slöngu (2 DAC-loftþjálmgrima) og hálfæðitengingar er óaðskiljanlegur þáttur fyrir viðurkenningu. Ekki nota neina aðra gerð af slöngu né breyta þessum slöngum á nokkurn hátt, því þær eru sérstaklega tilgreindar til notkunar með búnaðinum.
- Hámarks lengd slöngu fyrir búnaði úr flokk A er 10 metrar og skal samanstanda af einni heilli slöngu. Ekki má tengja styttri slöngur saman til að ná hámarks lengd.
- Hámarks (nafnvinnsluþrýstingur) vinnsluþrýstingur fyrir Honeywell loftþrýstislöngur er 10 bör.
- Ekki hentugt til að nota á vinnutöðum þar sem er yfir 35°C lofthiti. Passaðu þig á því að skilja ekki búnaðinn eftir í sprautnarklefa sem hefur verið breytt í þurrkofn.
- Má ekki nota undir kringumstæðum þar sem notandinn gæti orðið fyrir varanlegum skaða í óvörðu umhverfi eða umhverfi þar sem vantar súrefni.
- Við mikið vinnuhlutfall getur þrýstingurinn innan í höfuðbúnaðinum orðið neikvæður við hámarks innöndunarflæði.
- Þegar þú ert á vinnusvæði, skaltu tryggja að hlífðarglerid sé læst í neðri stöðu og yfirgefðu þegar í stað hættusvæði ef grunur er um bilun eða viðvörunarflautan hljómar.
- Vörn gegn bráðnu málmefni er aðeins veitt þegar farganleg hlífðargler eru notuð.
- Þar sem það á við, gefur merkingin F1 til kynna að hægt sé að nota búnaðinn og þrýstiloftsléiðsluna við aðstæður þar sem hættu er á eldfimi.
- Hugsanlegt er að búnaðurinn veiti ekki nægjanlega vörn í mjög eitruðu andrúmslofti. Það er á ábyrgð notandans að tryggja að búnaðurinn sé hentugur í þá vinnu sem á að inna að hendi og einnig hentugur fyrir notandann. Vinsamlegast skoðuðu landslög til leiðbeiningar.

Lágmarks loftþrýstingur á inntak loftþrýstislöngunnar:

		Loftþrýstingur í börum (psi)	
pvermál loftslöngu (mm)	Lengd slöngu (m)	DAVK-0001E DMAK-0021E	DAVK-0003E, 0004E DMAK-0023E, 0024E DAWK-4001E, 4011E
8	3,5	5,3 bör (77 psi)	4,5 bör (61 psi)
	7,5		4,6 bör (63 psi)
	10	5,4 bör (79 psi)	4,7 bör (64 psi)
		5,5 bör (80 psi)	



- Hámarks lengd loftslöngu er 10 metrar.
- Fyrir DAVK-0001E og DMAK-0021E. Ef viðvörunarflautan hljómar einhvern tímann við notkun á aukabúnaði eða sprautu, auku loftþrýstinginn þangað til að hún hættir. Þetta tryggir að gægjanlegt loft fari í höfuðbúnaðinn og að öryggi þitt sé tryggt.

TÆKNILEGAR UPPLÝSINGAR

Vottun / viðurkenning	CE-samþykkt (CE 0194)
Staðlar / regluglufni	EN 14594:2005 (létt vinna, flokkur A)
Nafnvarnarstig	Class 3 = 200 DAWK-gerðirnar Flokkur 4 = 2.000 DAVK & DMAK gerðirnar
Hlíðargler: Vörn gegn efnaáreiti Viðnám gegn höggum	EN 166.2.F EN 166.2.B.9
Lágmarksflæðihraði samkvæmt hönnun framleiðanda Hámarksflæðihraði	260 l/min 290 l/min
Vinnsluþrýstingur	4,5 bör (61 psi) til 7,0 bör (102 psi)
Hámark vinnsluhiti	35°C
Kolefnishygli	Skipta eftir 1000 stundir, eða Ef lykt greinist innan í höfuðbúnaðinum

VARNARSTIG

Úthlutað varnarstig (APF) upp að 40 þýðir að hægt er að nota öndunargrímuna á vinnusvæðum þar sem mengun er upp að 40 X váhrífum vinnustaðarins.

Á öðrum landfræðilegum svæðum, skal skoða land- eða svæðislög eða leiðbeiningar sem breyta gildunum um varnarstig sem þér er leyfilegt að nota þegar þú velur þér öndunarvernd.

ÖNDUNARBÚNAÐUR LOFTHJÁLMSGRÍMA

Vara nr.	Hlut nr.	Lýsing
1013932	DAVK-0001E	Airvisor 2 sprautunarbúnaður
1013934	DAVK-0003E	Airvisor 2 efnafræðibúnaður
1013935	DAVK-0004E	Airvisor 2 iðnaðarbúnaður
1013938	DMAK-0021E	Airvisor 2 MV sprautunarbúnaður
1013939	DMAK-0023E	Airvisor 2 MV efnafræðibúnaður
1013980	DMAK-0024E	Airvisor 2 MV iðnaðarbúnaður
1013983	DAWK-4001E	Airvisor 2 FV-Series logsuðubúnaður
1013987	DAWK-4011E	Airvisor 2 W-Series logsuðubúnaður
1765058	DAVK-0001E-DAC	Airvisor 2 sprautunarbúnaður með tvíhandatengi
1765059	DAVK-0003E-DAC	Airvisor 2 efnafræðibúnaður með tvíhandatengi
1765060	DAVK-0004E-DAC	Airvisor 2 iðnaðarbúnaður með tvíhandatengi
1765061	DMAK-0021E-DAC	Airvisor 2 MV sprautunarbúnaður með tvíhandatengi
1765062	DMAK-0023E-DAC	Airvisor 2 MV efnafræðibúnaður með tvíhandatengi
1765063	DMAK-0024E-DAC	Airvisor 2 MV iðnaðarbúnaður með tvíhandatengi
1765064	DAWK-4001E-DAC	Airvisor 2 FV-Series logsuðubúnaður með tvíhandatengi
1765065	DAWK-4011E-DAC	Airvisor 2 W-Series logsuðubúnaður með tvíhandatengi

Aukahöfuðbúnaður (fullbúinn):

1013936	DAVK-0051E	Til notkunar með DAVK-0001/03E
1013937	DAVK-0052E	Til notkunar með DAVK-0004E
1013981	DMAK-0071E	Til notkunar með DMAK-0021/23E
1013982	DMAK-0072E	Til notkunar með DMAK-0024E
1013986	DAWS-4101E	Til notkunar með DAWK-4001E
1013988	DAWS-4201E	Til notkunar með DAWK-4011E

Aukamittisbelti (fullbúið):

1013989	DAVW-1001E	Til notkunar með DAVK-0001E og DMAK-0021E
1013990	DAVW-1003E	Til notkunar með DAVK-0003/04E, DMAK-0023/24E og DAWK-4001/11E
1765066	DAVW-1001E-DAC	Til notkunar með DAVK-0001E-DAC og DMAK-0021E-DAC
1765067	DAVW-1003E-DAC	Til notkunar með DAVK-0003/04E-DAC og DMAK-0023/24E-DAC og DAWK-4001/11E-DAC

Varahlutir og aukabúnaður (eins og sýnt er í teikningum vörunnar):

Nr.	Vara nr.	Lýsing
1	1028821	Augnabrunahlíf og höfuðband fyrir gerðirnar Airvisor 2 DAVK
2	1028822	Augnabrunahlíf og höfuðband fyrir gerðirnar Airvisor 2 MV DMAK
3	1028823	Höfuðband fyrir Airvisor 2 FV-Series logsuðubúnað
4	1028824	Augnabrunahlíf og höfuðband fyrir Airvisor 2 W-Series logsuðubúnað
5	1028825	Loftslanga og dreifir fyrir Airvisor 2, allar gerðir
6	1028826	Asetat hlíf (vörn gegn efnaáreiti) til notkunar með DAVK-0001/03E
6	1028827	Pólýkarbónat hlíf (viðnám gegn höggum) til notkunar með DAVK-0004E
7	1001775	Asetat hlíf (vörn gegn efnaáreiti) til notkunar með DMAK-0021/23E (5 í pakka)
7	1001774	Pólýkarbónat hlíf (viðnám gegn höggum) til notkunar með DMAK-0024E (5 í pakka)
	1028870	Þéttiborðar hlífðarglers til notkunar með hlutum 7 (10 í pakka)
8	1028828	Pólýkarbónat hlíf (viðnám gegn höggum) til notkunar með DAWK-4001E
9	1001732	Farganlegar hlífar hlífðarglers til notkunar með öllum DAVK gerðum (10 í pakka)
9	1001731	Farganlegar hlífar hlífðarglers til notkunar með öllum DAVK gerðum (50 í pakka)
10	1001778	Farganlegar hlífar hlífðarglers til notkunar með öllum DMAK gerðum (10 í pakka)
10	1001779	Farganlegar hlífar hlífðarglers til notkunar með öllum DMAK gerðum (50 í pakka)
11	1001749	Farganlegar hlífar hlífðarglers til notkunar með DAWK-4001E (10 í pakka)
12	1013994	Hylki fyrir andlitsþéttingu fyrir DMAK gerðir (5 í pakka)
13	1001748	Hylki fyrir andlitsþéttingu fyrir DAWK-4001E
14	1013994	Hylki fyrir andlitsþéttingu fyrir DAWK-4011E (5 í pakka)
15	1001750	Hjálmgörnd fyrir DAWK-4001E
16	1005103	Hjálmgörnd fyrir DAWK-4011E
17	1001725	Hálfæðisflýtilosunartengi
18	1028829	Airvisor 2, brýstjafnari fyrir allar gerðir sem eru ekki DAC-gerðir
18	1765068	Airvisor 2, brýstjafnari fyrir allar DAC-gerðir
19	1001672	Kolefnishylki fyrir allar gerðir
20	1001674	Hlífðarhús mittisbeltis og belti úr fataefni
21	1028830	Airvisor 2 (ekki DAC) Sérstakt hálfæðisflýtilosunartengi
21	1765069	Airvisor 2 (DAC) Sérstakt hálfæðisflýtilosunartengi með tvíhanda tengli
22	1028831	Airvisor 2 hálfæðisflýtilosunartengi
23	1001726	Blueline loftslanga 3,5 m (fyrir Airvisor 2 sem eru ekki af DAC-gerðinni)
23	1001727	Blueline loftslanga 7,5 m (fyrir Airvisor 2 sem eru ekki af DAC-gerðinni)
23	1004716	Blueline loftslanga 10 m (fyrir Airvisor 2 sem eru ekki af DAC-gerðinni)
23	1765070	Græn loftslanga 3,5 m (fyrir Airvisor 2 sem eru af DAC-gerðinni)
23	1765071	Græn loftslanga 7,5 m (fyrir Airvisor 2 sem eru af DAC-gerðinni)
23	1765072	Græn loftslanga 10 m (fyrir Airvisor 2 sem eru af DAC-gerðinni)
24	1001683	Loftslanga sprautu (1,2 m) til notkunar með DAVK-0001E og DMAK-0021E
25	1001733	Farganleg hetta til notkunar með öllum DAVK og DMAK gerðum (5 í pakka)
26	1001676	Farganleg hetta og háshlíf til notkunar með öllum DAVK og DMAK gerðum (5 í pakka)
27	1001754	Eldtefjandi höfuð- og háshlíf til notkunar með DAWK-4011E
28	1001738	Geymslupoki fyrir allar gerðir

**NOTA INFORMATIVA DEL RESPIRATORE A FLUSSO D'ARIA CONTINUA
CONSERVARE PER FUTURO RIFERIMENTO**



Non utilizzare l'apparecchiatura prima di aver letto le presenti istruzioni e di aver ricevuto un'adeguata formazione in merito al prodotto.

ISTRUZIONI D'USO E MANUTENZIONE



- L'aria compressa fornita a tutte le versioni di Airvisor 2 deve essere di qualità respirabile conforme a EN 12021. Honeywell raccomanda di utilizzare i sistemi filtranti Clearflow per garantire la conformità. La qualità dell'aria deve essere controllata periodicamente utilizzando un'ideale apparecchiatura di test. Osservare le seguenti istruzioni prima di entrare nell'area di lavoro.
- I modelli Airvisor 2 DAC (raccordi a doppia azione) presentano connettori a doppia azione, che forniscono un'ulteriore garanzia contro disconnessioni impreviste.

CONTROLLI PRIMA DELL'USO

- Controllare il funzionamento dell'allarme acustico per accertarsi che venga alimentato il corretto flusso d'aria al respiratore (vedere le istruzioni qui di seguito).
- Ispezionare tutta l'apparecchiatura per verificare la presenza di eventuali danneggiamenti, prestando particolare attenzione al manico, al tubo di alimentazione della visiera e alla guarnizione di tenuta della visiera.
- Non utilizzare il respiratore se la guarnizione di tenuta della visiera o il diffusore sul tubo di alimentazione dell'aria sono danneggiati, in quanto la protezione potrebbe essere compromessa.
- Accertarsi che schermi e coprischermi garantiscano una buona visibilità.

INDOSSARE L'APPARECCHIATURA

- Assicurare la cintura intorno alla vita e regolarla affinché risulti comoda. Laddove richiesto, indossare il cappuccio monouso (25) seguito dalla visiera.
- Mantenere la visiera (6, 7, 8) sollevata e regolare la bardatura in modo tale che sia ben posizionata.
- Collegare l'estremità del tubo di alimentazione dell'aria della visiera (5) all'attacco rapido miniaturizzato High Flow (17).
- Selezionare un tubo dell'aria (23) di lunghezza adatta fino a un massimo di 10 metri e collegare il raccordo a innesto rapido High Flow sul tubo all'ingresso dell'aria (21) sull'unità filtro da cintura.
- Collegare l'altra estremità alla linea di alimentazione dell'aria filtrata.



Durante utilizzo dei modelli Airvisor 2 DAC, utilizzare il tubo verde di alimentazione dell'aria. Utilizzare i tubi blu per i modelli Airvisor 2 di tipo standard.

Collegare l'attrezzo ad aria compressa (24), all'uscita dell'aria (22) sull'unità filtro da cintura.

Accendere l'alimentazione d'aria e regolare la pressione affinché sia compresa tra 4,5 bar (61 psi) e 7 bar (102 psi) a livello dell'ingresso all'unità filtro da cintura (vedere retro del Grafico della pressione di alimentazione). Accertarsi che non vi siano perdite d'aria. Se l'allarme sonoro scatta, aumentare la pressione in ingresso fino a quando il suono si arresta. Nel caso in cui l'allarme sonoro non si arresti in corrispondenza dell'aumento di pressione, interrompere l'alimentazione dell'aria e attivarla di nuovo dopo aver regolato la pressione.

Si noti che i kit Airvisor 2 e Airvisor 2 MV utilizzati congiuntamente ad uno strumento ausiliario alimentato ad aria, o con una pistola a spruzzo, richiedono pressioni in ingresso maggiori (di conseguenza occorre eseguire un controllo extra). In questo caso lo strumento deve essere azionato prima di indossare il respiratore - se l'allarme sonoro suona in queste condizioni aumentare la pressione in ingresso fino a quando l'allarme smette di suonare. Questo garantisce che vi sia aria sufficiente sia per la visiera del respiratore che per lo strumento ausiliario o la pistola a spruzzo.

Abbassare la visiera, eseguire gli aggiustamenti necessari alla bardatura e alla guarnizione di tenuta per garantire che quest'ultima aderisca perfettamente al viso. Verificare che non siano presenti fessure visibili tra la pelle e la guarnizione di tenuta. Se vengono individuate delle fessure riposizionare il dispositivo fino a quando queste ultime scompaiono. Ora siete pronti per entrare nell'area contaminata. Nota: se l'allarme sonoro suona durante condizioni di lavoro normali questo indica che alla visiera del respiratore non arriva un flusso d'aria sufficiente - abbandonare immediatamente l'area contaminata, quindi rimuovere la visiera - aumentare la pressione in ingresso a un livello adeguato.

Sostituzione del tubo di alimentazione dell'aria e diffusore (tutti i modelli):

- Se il tubo di alimentazione dell'aria (5) è usurato o danneggiato è indispensabile sostituirlo per evitare perdite.
- Staccare il tubo dai suoi punti di aggancio (scanalature poste sulla parte posteriore della struttura della visiera, e montati su due clip di sostegno trasparenti) e rimuovere il diffusore dal suo supporto.
- Installare il nuovo tubo spingendo delicatamente il diffusore di schiuma all'interno del supporto incurvato e riagganciando il pezzo in posizione.
- Ricollegare il tubo di alimentazione dell'aria alla visiera utilizzando le clip spine di sostegno, accertandosi di posizionare il tubo nelle scanalature poste nella parte posteriore della visiera.

Sostituzione dei coprischermo usa e getta (tutti i modelli):

- Posizionare il coprischermo (9/10/11) sopra i perni metallici su entrambi i lati della visiera.

Sostituzione dello schermo (modelli DAVK-000*E & DAWK-4001E):

- Sganciare il tubo di alimentazione dell'aria della visiera (5).
- Tenedo il corpo della visiera, premere la parte superiore dello schermo (6) saldamente dall'esterno verso l'interno utilizzando il dito pollice e l'indice.
- Sganciare gli slot a forma di serratura dello schermo dagli appositi agganci posti su ambo i lati.
- Se il tubo di alimentazione dell'aria della visiera deve essere riutilizzato, sganciare il tubo dalla parte interna della visiera estraendo le due clip di sostegno trasparenti, in caso contrario gettare sia l'alo schermo che il tubo.
- Per riassembleare, spingere verso l'alto il connettore QR del tubo attraverso il foro nella gommapiuma della visiera.
- Fissare il tubo di alimentazione dell'aria alla visiera con le due clip di sostegno trasparenti e il supporto incurvato, montato in posizione centrale.
- Riposizionare le clip della visiera all'interno degli slot a forma di serratura sulla parte superiore della visiera e, premendo con forza, ruotare verso la visiera e agganciare in posizione.

Sostituzione della guarnizione di tenuta della visiera (modelli DMAK-002*E & DAWK-4011E):

- Tenere con delicatezza Airvisor in posizione rovesciata sul braccio e trattenerne il telaio principale.
- Con la mano libera, afferrare la parte inferiore del sottogola della visiera e rimuoverlo dalla visiera con un movimento rapido.
- Allineare la guarnizione di tenuta di ricambio (12, 14) sotto la visiera.
- Iniziando a un'estremità e lavorando intorno al telaio, incastrare la guarnizione di tenuta sul telaio della visiera. Per i lacci alle estremità, accertarsi che le estremità libere passino all'interno della bardatura, quindi ripiegarle e agganciarle su se stesse, per mezzo dei bottoni a pressione. - in caso di dubbi fare riferimento alla configurazione esistente prima dello smontaggio.
- La guarnizione di tenuta deve essere sostituita ogni volta che ci sono segni di danneggiamento o accumulo di polvere o sporcizia.

Sostituzione dello schermo(modelli DMAK-002*E & DAWK-4011E):

- Controllare le fascette di chiusura di gommapiuma e sostituire se necessario.
- Rimuovere lo schermo spingendolo dall'interno.
- Posizionare la linguetta laterale dello schermo nell'intaglio che circonda la visiera accertandosi che il margine superiore sia situato nella scanalatura della visiera.
- Inserire la curvatura circolare (7) dello schermo intorno alla visiera e per finire posizionare le linguette inferiori all'interno delle apposite fessure del corpo della visiera.

Sostituzione / Aggiustamento del filtro di saldatura (soltanto kit di saldatura)

DAWK-4001E:

- Svitare la fascetta di serraggio all'interno della maschera.
- Rimuovere la piastra di porzione e il filtro
- Sostituire il filtro, se necessario
- Riavvitare la fascetta di serraggio.

DAWK-4011E:

Nel caso del kit di saldatura per la serie W, l'accesso al sistema di fissaggio dello schermo avviene dall'esterno della maschera di saldatura, dopo aver rimosso la protezione esterna di colore celeste. Gli assemblaggi in vetro colorato sono tenuti al loro posto tramite un sistema di attacco flessibile.

Sostituzione del filtro a carboni attivi:



Il filtro a carboni attivi (19) deve essere sostituito se si sente odore, oppure dopo 1.000 ore di funzionamento (massimo).

- Scollegare la cintura dall'alimentazione dell'aria, rimuovere tutti i tubi di collegamento e le tre viti di fissaggio.
- Inclinare in avanti e rimuovere il blocco regolatore regolatore e rovesciare la cintura per rimuovere il filtro.
- Posizionare gli "O" ring sulla parte superiore e inferiore del filtro di ricambio.
- Inserire all'interno dell'alloggiamento e riposizionare l'aletta nera sull'unità regolatore all'interno della scanalatura sulla metà inferiore dell'alloggiamento del filtro.
- Riposizionare le viti e ricollegare l'alimentazione dell'aria.
- Verificare la presenza di perdite d'aria.



Utilizzare esclusivamente parti di ricambio Honeywell al fine di conservare una protezione ottimale.

PULIZIA E DISINFEZIONE DOPO CIASCUN USO

- Rimuovere la polvere e la sporcizia dall'apparato usando un panno inumidito con un disinfettante delicato o con una soluzione di sapone liquido.
- Non immergere in acqua l'apparato.
- Non utilizzare solvente o un detergente concentrato in quanto potrebbero danneggiare l'apparato.
- Non utilizzare un prodotto detergente abrasivo in quanto potrebbe danneggiare la superficie dell'apparato o graffiare la visiera.
- Fare asciugare completamente l'apparato in un'area ben ventilata lontano dalla luce solare diretta e da fonti di calore o da calore radiante.
- Posizionare l'apparato all'interno della borsa di stoccaggio (28) dopo la pulizia e la disinfezione.



- L'aria compressa fornita ai dispositivi della gamma Airvisor 2 deve essere di qualità respirabile conformemente a EN 12021.
- Accertarsi che il contenuto di umidità dell'aria da inspirare rientri nei limiti stabiliti dalla EN 12021, per evitare il congelamento dell'aria dell'apparato in presenza di temperature basse.
- Occorre prestare particolare attenzione al fine di garantire che l'apparato non sia collegato a sistemi di alimentazione d'aria alternativi all'interno del luogo di lavoro che possano erogare gas diversi dall'aria di qualità respirabile.
- L'apparato non deve essere collegato a una fonte di alimentazione di ossigeno o di aria arricchita di ossigeno.
- Qualora più di un utilizzatore sia collegato al sistema di aria fornita, accertarsi che il sistema abbia una capacità sufficiente per alimentare ogni utilizzatore.
- Utilizzo del tubo dell'aria Honeywell BlueLine (Airvisor 2 standard), o del tubo verde (Airvisor 2 DAC) e dei raccordi High Flow costituiscono parte integrante della certificazione, non usare altre tipologie di tubi né adattare i tubi che sono stati concepiti per utilizzo con i vostri apparati.
- La lunghezza massima del tubo di alimentazione per i dispositivi di Classe A è 10 metri, compreso un tubo unico continuo. Tubi più corti non devono essere uniti insieme per ottenere la lunghezza massima.
- La pressione d'esercizio (nominale) massima per i tubi di alimentazione di aria compressa Honeywell è 10 bar.
- Non idoneo per utilizzo in aree caratterizzate da una temperatura ambiente superiore a 35°C, prestare attenzione a non lasciare l'apparecchiatura all'interno di una cabina di verniciatura quando quest'ultima viene convertita in un forno di essiccazione.
- Da non utilizzare in circostanze in cui l'utente potrebbe essere esposto a pericolo mortale in assenza di protezione né in aree con carenza di ossigeno.
- A ritmi di lavoro molto elevati la pressione all'interno del copricapo potrebbe diventare negativa in corrispondenza di un flusso di picco di inspirazione.
- Quando ci si trova all'interno di un'area contaminata, accertarsi che la visiera sia bloccata in posizione abbassata e abbandonare immediatamente un'area pericolosa se si sospetta un malfunzionamento o se l'allarme acustico inizia a suonare.
- Una protezione da metallo fuso viene fornita solo quando vengono utilizzati Coprischermo usa e getta.
- Laddove presente, la marcatura F1 indica che l'apparato e il tubo di alimentazione dell'aria compressa possono essere usati in situazioni in cui esiste un rischio di infiammabilità.
- L'apparato potrebbe non fornire una protezione adeguata in alcune atmosfere a tossicità elevata. L'utilizzatore ha la responsabilità di accertarsi che l'apparato sia idoneo per il lavoro da eseguire e idoneo per il singolo utilizzatore. Fare riferimento alla legislazione locale per le linee guida.

Pressioni di alimentazione minime a livello dell'ingresso del tubo di alimentazione dell'aria compressa:

		Pressione di alimentazione in bar (psi)	
Diametro interno del tubo di alimentazione (mm)	Lunghezza tubo (m)	DAVK-0001E	DAVK-0003E, 0004E
		DMAK-0021E	DMAK-0023E, 0024E DAWK-4001E, 4011E
8	3,5	5,3 bar (77 psi)	4,5 bar (61 psi)
	7,5		4,6 bar (63 psi)
	10	5,4 bar (79 psi)	4,7 bar (64 psi)
		5,5 bar (80 psi)	



- Lunghezza massima del tubo di alimentazione 10 metri.
- Per il modello DAVK-0001E e DMAK-0021E, se l'allarme acustico suona in qualsiasi momento durante utilizzo di un utensile ausiliario di una pistola a spruzzo, aumentare la pressione in ingresso fino a quando l'allarme smette di suonare. Questo garantisce che una quantità d'aria sufficiente raggiunga il copricapo e che la vostra sicurezza venga conservata.

INFORMAZIONI TECNICHE

Certificazione	Marchio CE (CE 0194)
Standard / Conformità	EN 14594:2005 (utilizzo leggero Classe A)
Fattori di protezione nominale	Classe 3 = 200 (modelli DAWK) Classe 4 = 2.000 per Modelli DAVK & DMAK
Schermo: Resistente ai prodotti chimici Antiurto	EN 166.2.F EN 166.2.B.9
Portata teorica minima del fabbricante Portata massima	260 l/min 290 l/min
Pressione di esercizio	4.5 bar (61 psi) a 7.0 bar (102 psi)
Temperatura di esercizio massima	35°C
Filtro a carboni attivi	Sostituire dopo 1.000 ore, oppure se si sente odore all'interno del copricapo

FATTORI DI PROTEZIONE

Un Fattore di Protezione assegnato (FPA) di 40 indica che il respiratore può essere usato in aree con contaminazione fino a 40 volte il limite di esposizione del posto di lavoro.

In altre aree geografiche fare riferimento alle regolamentazioni o linee guida nazionali o regionali che possono presentare un valore modificato del fattore di protezione che vi è consentito usare quando selezionate il sistema di protezione delle vie respiratorie.

GAMMA AIRVISOR

Rif.	Codice art.	Descrizione
1013932	DAVK-0001E	Airvisor 2 Kit per verniciatura
1013934	DAVK-0003E	Airvisor 2 Kit Chimico
1013935	DAVK-0004E	Airvisor 2 Kit Industriale
1013938	DMAK-0021E	Airvisor 2 MV per verniciatura
1013939	DMAK-0023E	Airvisor 2 MV Kit Chimico
1013980	DMAK-0024E	Airvisor 2 MV Kit Industriale
1013983	DAWK-4001E	Airvisor 2 Serie FV kit di saldatura
1013987	DAWK-4011E	Airvisor 2 Serie W kit di saldatura
1765058	DAVK-0001E-DAC	Airvisor 2 Kit per verniciatura con connettore a doppia azione
1765059	DAVK-0003E-DAC	Airvisor 2 Kit Chimico con connettore a doppia azione
1765060	DAVK-0004E-DAC	Airvisor 2 Kit Industriale con connettore a doppia azione
1765061	DMAK-0021E-DAC	Airvisor 2 MV Kit per verniciatura con connettore a doppia azione
1765062	DMAK-0023E-DAC	Airvisor 2 MV Kit Chimico con connettore a doppia azione
1765063	DMAK-0024E-DAC	Airvisor 2 MV Kit Industriale con connettore a doppia azione
1765064	DAWK-4001E-DAC	Airvisor 2 Serie FV kit di saldatura con connettore a doppia azione
1765065	DAWK-4011E-DAC	Airvisor 2 Serie W kit di saldatura con connettore a doppia azione

Kit visiera di ricambio (completa):

1013936	DAVK-0051E	Per uso con DAVK-0001/03E
1013937	DAVK-0052E	Per uso con DAVK-0004E
1013981	DMAK-0071E	Per uso con DMAK-0021/23E
1013982	DMAK-0072E	Per uso con DMAK-0024E
1013986	DAWS-4101E	Per uso con DAWK-4001E
1013988	DAWS-4201E	Per uso con DAWK-4011E

Cinture di ricambio (complete di filtro):

1013989	DAVV-1001E	Per uso con DAVK-0001E e DMAK-0021E
1013990	DAVV-1003E	Per uso con DAVK-0003/04E, DMAK-0023/24E e DAWK-4001/11E
1765066	DAVV-1001E-DAC	Per uso con DAVK-0001E-DAC e DMAK-0021E-DAC
1765067	DAVV-1003E-DAC	Per uso con DAVK-0003/04E-DAC e DMAK-0023/24E-DAC e DAWK-4001/11E-DAC

Parti di ricambio e accessori (come mostrato negli esplosi):

N.	Rif.	Descrizione
1	1028821	Visiera di protezione e bardatura per i modelli Airvisor 2 DAVK
2	1028822	Visiera di protezione e bardatura per i modelli Airvisor 2 MV DAVK
3	1028823	Bardatura per Airvisor 2 Serie FV kit di saldatura
4	1028824	Visiera di protezione con bardatura per Airvisor 2 Serie W kit di saldatura
5	1028825	Tube di alimentazione aria e diffusore per tutti i modelli Airvisor 2
6	1028826	Schermo in acetato (resistente ai prodotti chimici) per utilizzo con DAVK-0001/03E
6	1028827	Schermo in policarbonato (antiurto) per utilizzo con DAVK-0004E
7	1001775	Schermo in acetato (resistente ai prodotti chimici) per utilizzo con DMAK-0021/23E (confezione da 5)
7	1001774	Schermo in policarbonato (antiurto) per utilizzo con DMAK-0024E (confezione da 5)
	1028870	Nastri di sigillatura della visiera per utilizzo con articoli n. 7 (confezione da 10)
8	1028828	Visiera interna in Policarbonato (resistente all'impatto) per uso con DAWK-4001E
9	1001732	Coprischermo usa e getta per utilizzo con tutti i modelli DAVK (confezione da 10)
9	1001731	Coprischermo usa e getta per utilizzo con tutti i modelli DAVK (confezione da 50)
10	1001778	Coprischermo usa e getta per utilizzo con tutti i modelli DMAK (confezione da 10)
10	1001779	Coprischermo usa e getta per utilizzo con tutti i modelli DMAK (confezione da 50)
11	1001749	Coprischermo per modello DAWK-4001E (confezione da 10)
12	1013994	Guarnizione di tenuta per i modelli DMAK (confezione da 5)
13	1001748	Guarnizione di tenuta per modello DAWK-4001E
14	1013994	Guarnizione di tenuta per modello DAWK-4011E (confezione da 5)
15	1001750	Maschera di saldatura per modello DAWK-4001E
16	1005103	Maschera di saldatura per modello DAWK-4011E
17	1001725	Connettore a sgancio rapido Hight Flow
18	1028829	Regolatore Airvisor 2 per tutti i modelli non DAC
18	1765068	Regolatore Airvisor 2 per tutti i modelli DAC
19	1001672	Filtro a carboni attivi per tutti i modelli
20	1001674	Cintura con portafiltro
21	1028830	Connettore a sgancio rapido High Flow Airvisor 2 (non DAC)
21	1765069	Connettore a doppio comando a sgancio rapido High Flow per Airvisor 2 (DAC)
22	1028831	Connettore a sgancio rapido Hight Flow per Airvisor 2
23	1001726	Tube di alimentazione aria BlueLine 3,5 m (per Airvisor 2 non DAC)
23	1001727	Tube di alimentazione aria BlueLine 7,5 m (per Airvisor 2 non DAC)
23	1004716	Tube di alimentazione aria BlueLine 10 m (per Airvisor 2 non DAC)
23	1765070	Tube di alimentazione aria verde 3,5 m (per Airvisor 2 non DAC)
23	1765071	Tube di alimentazione aria verde 7,5 m (per Airvisor 2 non DAC)
23	1765072	Tube di alimentazione aria verde 10 m (per Airvisor 2 non DAC)
24	1001683	Tube alimentazione pistola a spruzzo (1,2 m) per utilizzo con DAVK-0001E e DMAK-0021E
25	1001733	Cappuccio usa e getta per utilizzo con tutti i modelli DAVK e DMAK (confezione da 5)
26	1001676	Protezione in tessuto per testa e collo usa e getta per utilizzo con tutti i modelli DAVK e DMAK (confezione da 5)
27	1001754	Protezione per testa e collo (resistente al fuoco) DAWK-4011E
28	1001738	Borsa di stoccaggio in tessuto per tutti i modelli

TIEKIAMO ORO RESPIRATORIAUS NAUDOJIMO INSTRUKCIJA IŠSAUGOKITE ATEIČIAI



Nenaudokite įrangos, prieš tai neperskaitę šių instrukcijų ir be apmokymo, kaip ja naudotis.

NAUDOJIMO IR PRIEŽIŪROS INSTRUKCIJOS



- Suspaustas oras, tiekiamas į „Airvisor 2“ šeimos produktus, turi būti tinkamos kvėpuotoi kokybės, atitinkančios EN 12021 reikalavimus. „Honeywell“ rekomenduoja naudoti „Clearflow“ filtravimo sistemas atitinkamai užtikrinti. Oro kokybę reikia periodiškai tikrinti su tinkama testavimo įranga. Prieš įeidami į darbinę zoną laikykitės tokių instrukcijų.
- „Airvisor 2 DAC“ modeliai (su dvigubo veikimo jungtimis) naudoja specialias dvigubo veikimo jungtis oro žarnos prijungti, taip užtikrinamas specifinis prijungimas ir papildoma apsauga nuo netikėto atsijungimo.

PATIKRINIMAS PRIEŠ NAUDOJIMĄ

- Patikrinkite švilpuko veikimą ir įsitinkinkite, kad į respiratorių tiekiamas teisingas oro srautas (žr. instrukcijas žemiau).
- Patikrinkite, ar nepažeista įranga, ypatingą dėmesį atkreipkite į žarną, antvedžio tiekimo vamzdelį ir veido užlaidą.
- Nenaudokite respiratoriaus, jei veido užlaida arba difuzorius ant oro tiekimo vamzdelio yra pažeistas, nes tai sumažins apsaugos laipsnį.
- Įsitinkinkite, kad per veido užlaidą gerai matosi vaizdas.

ĮRANGOS UŽSIDĖJIMAS

- Aplink liemenį užsisėkite diržą ir pareguliuokite, kad jis patogiai priglustų. Jei reikia, užsidėkite medžiaginį gaubtą (25), po to užsidėkite antvedį.
- Laikykitės antvedį (6, 7, 8) pakeltą, pareguliuokite viršugalvio dirželį ir galvos juostą, kad patogiai priglustų prie galvos.
- Įjunkite užlaidos oro tiekimo vamzdelio galą (5) į miniatiūrinę didelio srauto greito paleidimo jungtį (17).
- Pasirinkite tinkamo ilgio oro žarną (23) iki maks. 10 metrų, prijunkite žarnos didelio srauto greito paleidimo jungtį prie oro įvado (21) ant diržo.
- Kitą galą prijunkite prie filtruoto oro tiekimo šaltinio.



Jei naudojate „Airvisor 2 DAC“ modelius, naudokite žalią oro tiekimo žarną. Standartiniais „Airvisor 2“ modeliams naudokite mėlynas žarnas.

Pritvirtinkite pneumatinį instrumentą (24) (jei reikia) prie oro išleidimo angos (22) ant diržo.

Įjunkite oro tiekimą, nustatykite slėgį tarp 4,5 bar (61 psi) ir 7 bar (102 psi) ant diržo įvado (žr. lapelį su tiekimo slėgio lentele). Įsitinkinkite, kad nėra oro nuotėkio. Jei išgirstate įspėjimo švilpuką, padidinkiteėjimo slėgį, iki kol švilpukas nutils. Jei švilpukas nepasigirsta, kai didinate slėgį, uždarykite oro tiekimo čiaupa, pareguliuokite slėgį ir pradėkite dar kartą.

Turėkite omenyje, kad „Airvisor 2“ ir „Airvisor 2“ MV įrenginiams, naudojamiems kartu su papildomu pneumatiniu įrankiu ar purškimo pistoletu, reikia didesnioėjimo slėgio (todėl reikia atlikti papildomą patikrinimą). Dirbant tokiu būdu įrankį reikia patikrinti prieš užsidedant respiratorių: jei tokiomis sąlygomis pasigirsta švilpukas, padidinkiteėjimo slėgį, kol švilpukas nutils. Tai užtikrina, kad bus tiekiamas pakankamai oro į respiratoriaus antvedį, ir į papildomą įrankį ar pistoletą.

Nuleiskite antvedį, jei reikia, pareguliuokite viršugalvio dirželį ir galvos juostą, kad veido užlaida gerai priglustų prie veido. Patikrinkite, ar nesimato plyšių tarp odos ir veido užlaidos. Jei yra tarpų, pakoreguokite prietaiso padėtį, kad tarpų neliktų. Dabar galite įeiti į užterštą zoną. Atkreipkite dėmesį: jei švilpukas pasigirsta įprastomis darbo sąlygomis, tai rodo, kad nepakankamai oro tiekiamas į respiratoriaus antvedį. Iš karto išėikite už užterštos zonos, nusiimkite antvedį ir padidinkiteėjimo slėgį iki reikalingo lygio.

Oro tiekimo vamzdelio ir difuzoriaus bloko keitimas (visiems modeliams):

- jei oro tiekimo vamzdelis (5) nusidėvėjo arba yra pažeistas, jį reikia pakeisti, kad oras nenutekėtų.
- Atjunkite vamzdelį nuo tvirtinimo taškų (ties veido kaukės galine puse ir ant dviejų skaidrių tvirtinimo kaiščių), ištraukite difuzorių iš ties centru sumontuotu lenktu laikikliu, prieš tai nuėmę dangtelį.
- Atidžiai įstatykite naują bloką, įstumdami difuzorių į lenktą laikiklį ir užspausdami dangtelį atgal į vietą.
- Vėl prijunkite oro tiekimo vamzdelį prie antvedžio / užlaidos dviem skaidriais tvirtinimo kaiščiais, patikrinkite, kad vamzdelis įeitų į įranta ant veido kaukės.

Vienkartinį antvedžio gaubtų keitimas (visiems modeliams):

- Tvirtinkite antvedžio gaubtą (9/10/11) ant metalinių kaiščių iš abiejų antvedžio pusių.

Antvedžio keitimas (DAVK-000*E ir DAWK-4001E modeliams):

- Atjunkite antvedžio oro tiekimo vamzdelį (5) nuo antakių apsaugos.
- Prilaidydami antakių apsaugą, iš išorės tvirtai spauskite antvedžio (6) viršutinę dalį į vidų nykščiu ir rodomuoju pirštu.
- Atkabinkite antvedį nuo mėlynų antakių apsaugos kaiščių abiejose pusėse.
- Jei antvedžio oro tiekimo vamzdelį dar naudosite pakartotinai, atkabinkite vamzdelį nuo vidinės antvedžio dalies, atsargiai ištraukdami abu skaičius tvirtinimo kaiščius. Jei ne, ir vamzdelį, ir antvedį išmeskite.
- Norėdami vėl sumontuoti, prakiškite oro tiekimo vamzdelio greito prijungimo jungtį į viršų per angą antvedžio kempinėje.
- Pritvirtinkite antvedžio oro tiekimo vamzdelį prie antvedžio dviem skaidriais tvirtinimo kaiščiais ir centriniu lenktu laikikliu.
- Vėl įstatykite mėlynus antakių apsaugos kaiščius į angas antvedžio viršuje, tvirtai spausdami pasukite link antakių apsaugos ir įspauskite į reikalingą padėtį.

Veido užlaidos kasetės keitimas (DMAK-002*E ir DAWK-4011E modeliams):

- Apsukta „Airvisor“ padėkite ant rankos, laikykite už rėmo.
- Laisva ranka suimkite už veido užlaidos kasetės apačios ir staigiu judesiu atjunkite nuo antveidžio.
- Išlygiuokite po antveidžiu atsarginę kasetę (12, 14).
- Pradėdami nuo vieno krašto ir judėdami aplink rėmą įspauskite kasetę ant antveidžio rėmo. Medžiaginėms dalims patikrinkite, kad laisvas kraštas įeitų į galvos juosta, tada užlenkite galvos juostos išorinį kraštą žemyn, pritvirtindami užspaudžiamais spauskais. Jei nesate tikri, kaip tai padaryti, pasitikrinkite pagal esamą nustatymą prieš išmontavimą.
- Kasetę reikia keisti visada, kai atsiranda pažeidimo požymių, pradeda kauptis dulksė ar purvas.

Antveidžio keitimas (DMAK-002*E ir DAWK-4011E modeliams):

- Patikrinkite kempinės užsandinimo juosteles, ar nėra pažeidimų, prireikus pakeiskite.
- Nuimkite antveidį spausdami iš vidinės pusės.
- Raskite antveidžio kraštinį skirtuką palei antveidžio kontūrą, įsitikinkite, kad viršutinis kraštas yra antakių apsaugos griovelyje.
- Judėdami per antveidžio (7) kontūrą palei rėmą, įstatykite apatinis skirtukas į smakro apsaugos angas.

Litavimo filtro keitimas / pritaikymas (tik litavimo rinkiniams)

DAWK-4001E:

- Atsukite lęšio varžtus litavimo kaukės vidinėje pusėje.
- Nuimkite dengiamąsias plokštes ir filtrą
- Prireikus filtrą pakeiskite
- Vėl uždėkite tarpinę ir įsukite varžtus.

DAWK-4011E:

Jei naudojamas W serijos litavimo rinkinys, prie langelio užsandinimo sistemos prieinama iš litavimo kaukės išorinės pusės, prieš tai nuėmus išorinį šviešiai mėlyną gaubtą. Pritemdyto stiklo langelio blokas yra pritvirtintas naudojant lankstaus spaustuko sistemą.

Anglies kasetės pakeitimas:



Anglies kasetę (19) reikia keisti, jei juntamas kvapas, arba po 1000 naudojimo valandų (maks.).

- Atjunkite diržą nuo oro tiekimo šaltinio, atjunkite visas prijungtas žarnas, išsukite tris tvirtinimo varžtus.
- Pakreipkite į priekį, nuimkite regulatoriaus bloką ir apsidėkite diržą, kad galėtumėte išimti anglies kasetę.
- Uždėkite O formos žiedus ant atsargines kasetės viršaus ir apačios.
- Įstatykite į korpusą, vėl įstatykite juodą kaištį ant regulatoriaus bloko į angą diržo korpuso apatinėje dalyje.
- Vėl įsukite varžtus ir prijunkite prie oro tiekimo šaltinio.
- Patikrinkite, ar nenuteka oras.



Kai montuojate atsargines dalis, naudokite tik originalias „Honeywell“ dalis, tai užtikrins optimalią apsaugą.

VALYMAS IR DEZINFEKAVIMAS PO KIEKVIENO NAUDOJIMO

- Nuvalykite nuo aparato dulkes ir purvą drėgnu skudurėliu, suvilgytu švelnioje dezinfekavimo priemonėje ar skystame muile.
- Nenaudingite aparato į skystį.
- Nenaudokite tirpiklio ar nepraskiesto valiklio, nes tai gali aparatą pažeisti.
- Nenaudokite šurkščių valiklių, nes jie gali pažeisti aparato paviršių ar subraižyti antveidį.
- Leiskite tinkamai išdžiūti gerai vėdinamoje vietoje, atokiai nuo tiesioginių saulės spindulių ir aukštos temperatūros ar spinduliuojamo karščio šaltinių.
- Po valymo ir dezinfekavimo aparatą įdėkite į laikymo krepšį (28).



- **Suspaustas oras, tiekiamas į „Airvisor 2“ šeimos produktus, turi būti tinkamos kvėpuoti kokybės, atitinkančios EN 12021 reikalavimus.**
- Patikrinkite, kad kvėpuojamo oro drėgmės kiekis būtų reguliuojamas pagal ribas, nustatytas EN 12021, kad esant žemai temperatūrai oras neužšaldytų aparato.
- Įmkitės specialių priemonių užtikrinti, kad aparatas nebūtų prijungtas prie alternatyvių oro tiekimo sistemų darbo vietoje, kuriomis tiekiamas ne kvėpuoti tinkamas oras, o kitokios dujos.
- Aparato negalima prijungti prie deguonies arba deguonimi prisotinto oro šaltinio.
- Jei prie tiekiamo oro sistemos yra prisijungęs daugiau nei vienas asmuo, būtina užtikrinti, kad sistemoje būtų pakankamai išteklių ir galios visiems naudotojams aprūpinti.
- Būtina naudoti „Honeywell BlueLine“ oro žarną (standartiniam „Airvisor 2“) arba žalią žarną („Airvisor 2 DAC“) ir didelio srauto jungtis, tai būtina patvirtinimui gauti; nenaudokite jokių kitokių žarnų ir nebandykite pritaikyti žarnų, kurios nėra atskirai patvirtintos kaip skirtos naudoti su jūsų aparatu.
- Maksimalus tiekimo žarnos ilgis A klasės prietaisams yra 10 metrų, žarna turi būti vientisa. Maksimaliam ilgiumi pasiekti nereikėtų jungti ilgesnių žarnų.
- Maksimalus (nominalinis) „Honeywell“ suspausto oro tiekimo žarnų darbinis slėgis yra 10 bar.
- Netinka naudoti aplinkose, kuriose temperatūra viršija 35 °C, nepalikite įrangos purškimo kabinoje, kai naudojate kaip džiovinimo krosnį.
- Nenaudokite tokiomis aplinkybėmis, jei be apsaugos asmuo būtų nepagydomai sužalotas, ir aplinkose, kuriose trūksta deguonies.
- Esant labai dideliam darbo intensyvumui, slėgis kaukėje esant maksimaliam kvėpavimo srautui gali tapti neigiamas.
- Dirbdami užterštoje vietoje, užtikrinkite, kad antveidis būtų nuleistas ir užfiksuotas, jei įtariate, jog kaukė veikia netinkamai, arba pasigirsta švilpukas, iškart išeiškite iš užterštos vietos.
- Lydyto metalo apsauga reikalinga tik tada, kai naudojami vienkartiniai antveidžio gaubtai.
- Kur reikia, žymė F1 rodo, kad suspausto oro tiekimo vamzdelį galima naudoti tokiose situacijose, kuriose gali kilti užsiliepsnojimo pavojus.
- Aparatas gali neužtikrinti adekvačios apsaugos tam tikrose itin toksiškose atmosferose. Naudotojas privalo užtikrinti, kad aparatas būtų naudojamas tinkamoje aplinkoje ir pritaikytas konkrečiam naudotojui. Nuorodų ieškokite vietiniuose teisės aktuose.

Minimalus tiekimo slėgis ties suspausto oro tiekimo žarnos įvadu:			
		Tiekimo slėgis bar (psi)	
Tiekimo žarnos anga (mm)	Žarnos ilgis (m)	DAVK-0001E DMAK-0021E	DAVK-0003E, 0004E DMAK-0023E, 0024E DAWK-4001E, 4011E
8	3,5 7,5 10	5,3 barų (77 psi) 5,4 barų (79 psi) 5,5 barų (80 psi)	4,5 barų (61 psi) 4,6 barų (63 psi) 4,7 barų (64 psi)



- **Maksimalus tiekimo žarnos ilgis 10 metrų.**
- **Modeliams DAVK-0001E ir DMAK-0021E: jei bet kuriuo metu dirbant su papildomu įrankiu arba purškimo pistoletu pasigirsta švilpukas, padidinkite įėjimo slėgį, iki kol švilpukas išsijungs. Tai užtikrina, jog į kaukę patenka pakankamai oro ir asmuo gali saugiai kvėpuoti.**

TECHNINĖ INFORMACIJA

Sertifikavimas / patvirtinimas	Patvirtintas CE (CE 0194)
Standartas / atitiktis	EN 14594:2005 (patvarumo klasė A)
Nominaliniai apsaugos faktoriai	3 klasė = 200 DAVK modeliai 4 klasė = 2000 DAVK ir DMAK modeliai
Antveidis: Atsparus chemikalams Atsparus smūgiams	EN 166.2.F EN 166.2.B.9
Gamintojo minimalus srauto greitis pagal dizainą Maksimalus srauto greitis	260 l/min 290 l/min
Darbinis slėgis	Nuo 4,5 bar (61 psi) iki 7,0 bar (102 psi)
Maksimali darbinė temperatūra	35°C
Anglies kasetė	Keisti po 1000 valandų arba jei viduje jaučiamas kvapas

APSAUGOS FAKTORIAI

Priskirtas apsaugos faktorius (APF) 40 reiškia, kad respiratorių galima naudoti aplinkose, kuriose užterštumas iki 40 kartų viršija leistą darbo vietos kontakto ribą.

Kitose geografinėse vietovėse žr. nacionalines ar vietines direktyvas arba nuorodas, kurios modifikuoja apsaugos faktorių, kurį galite naudoti pasirinkdami atitinkamą kvėpavimo apsaugos sistemą.

„AIRVISOR“ RESPIRATORIŲ SISTEMOS

Rinkinio Nr.	Dalies Nr.	Aprašymas
1013932	DAVK-0001E	„Airvisor 2“ dažų purškimo rinkinys
1013934	DAVK-0003E	„Airvisor 2“ cheminis rinkinys
1013935	DAVK-0004E	„Airvisor 2“ pramoninis rinkinys
1013938	DMAK-0021E	„Airvisor 2 MV“ dažų purškimo rinkinys
1013939	DMAK-0023E	„Airvisor 2 MV“ cheminis rinkinys
1013980	DMAK-0024E	„Airvisor 2 MV“ pramoninis rinkinys
1013983	DAWK-4001E	„Airvisor 2“ FV serijos litavimo rinkinys
1013987	DAWK-4011E	„Airvisor 2“ W serijos litavimo rinkinys
1765058	DAVK-0001E-DAC	„Airvisor 2“ dažų purškimo rakinio dvigubo veikimo jungtis
1765059	DAVK-0003E-DAC	„Airvisor 2“ cheminio rakinio dvigubo veikimo jungtis
1765060	DAVK-0004E-DAC	„Airvisor 2“ pramoninio rakinio dvigubo veikimo jungtis
1765061	DMAK-0021E-DAC	„Airvisor 2 MV“ dažų purškimo rakinio dvigubo veikimo jungtis
1765062	DMAK-0023E-DAC	„Airvisor 2 MV“ cheminio rakinio dvigubo veikimo jungtis
1765063	DMAK-0024E-DAC	„Airvisor 2 MV“ pramoninio rakinio dvigubo veikimo jungtis
1765064	DAWK-4001E-DAC	„Airvisor 2“ FV serijos litavimo rakinio dvigubo veikimo jungtis
1765065	DAWK-4011E-DAC	„Airvisor 2“ W serijos litavimo rakinio dvigubo veikimo jungtis

Atsarginės veido kaukės (sukomplektuotos):

1013936	DAVK-0051E	naudoti su DAVK-0001/03E
1013937	DAVK-0052E	naudoti su DAVK-0004E
1013981	DMAK-0071E	naudoti su DMAK-0021/23E
1013982	DMAK-0072E	naudoti su DMAK-0024E
1013986	DAWS-4101E	naudoti su DAWK-4001E
1013988	DAWS-4201E	naudoti su DAWK-4011E

Atsarginiai diržai (sukomplektuoti):

1013989	DAVW-1001E	naudoti su DAVK-0001E ir DMAK-0021E
1013990	DAVW-1003E	naudoti su DAVK-0003/04E ir DMAK-0023/24E bei DAWK-4001/11E
1765066	DAVW-1001E-DAC	naudoti su DAVK-0001E-DAC ir DMAK-0021E-DAC
1765067	DAVW-1003E-DAC	naudoti su DAVK-0003/04E-DAC ir DMAK-0023/24E-DAC bei DAWK-4001/11E-DAC

Atsarginės dalys ir priedai (kaip pavaizduota produkto brėžiniuose):

Nr.	Rinkinio Nr.	Aprašymas
1	1028821	Antakių apsauga ir galvos juosta „Airvisor 2“ DAVK modeliams
2	1028822	Antakių apsauga ir galvos juosta „Airvisor 2 MV“ DMAK modeliams
3	1028823	Galvos juosta „Airvisor 2 FV“ serijos litavimo rinkiniui
4	1028824	Antakių apsauginė juosta ir galvos juosta „Airvisor 2“ W serijos litavimo rinkiniui
5	1028825	„Airvisor 2“ oro tiekimo vamzdelio ir difuzoriaus blokas visiems modeliams
6	1028826	Acetato antveidis (atsparus chemikalams) naudoti su DAVK-0001/03E
6	1028827	Polikarbonato antveidis (atsparus smūgiams) naudoti su DAVK-0004E
7	1001775	Acetato antveidis (atsparus chemikalams) naudoti su DMAK-0021/23E (5 vnt. rinkinys)
7	1001774	Polikarbonato antveidis (atsparus smūgiams) naudoti su DMAK-0024E (5 vnt. rinkinys)
	1028870	Antveidžio tvirtinimo juostelės, naudoti su 7 el. (10 vnt. rinkinys)
8	1028828	Vidinis polikarbonato antveidis (atsparus smūgiams) naudoti su DAWK-4001E
9	1001732	Vienkartiniai antveidžio gaubtai naudoti su visais DAVK modeliais (10 vnt. rinkinys)
9	1001731	Vienkartiniai antveidžio gaubtai naudoti su visais DAVK modeliais (50 vnt. rinkinys)
10	1001778	Vienkartiniai antveidžio gaubtai naudoti su visais DMAK modeliais (10 vnt. rinkinys)
10	1001779	Vienkartiniai antveidžio gaubtai naudoti su visais DMAK modeliais (50 vnt. rinkinys)
11	1001749	Vienkartiniai antveidžio gaubtai naudoti su DAWK-4001E (10 vnt. rinkinys)
12	1013994	Medžiaginė veido izoliacinė kasetė DMAK modeliams (5 vnt. rinkinys)
13	1001748	Medžiaginė veido izoliacinė kaukė naudoti su DAWK-4001E
14	1013994	Medžiaginė veido izoliacinė kasetė naudoti su DAWK-4011E (5 vnt. rinkinys)
15	1001750	Litavimo kaukė naudoti su DAWK-4001E
16	1005103	Litavimo kaukė naudoti su DAWK-4011E
17	1001725	Miniatiūrinė didelio srauto spartaus atjungimo jungtis
18	1028829	„Airvisor 2“ reguliatoriaus blokas visiems ne DAC modeliams
18	1765068	„Airvisor 2“ reguliatoriaus blokas visiems DAC modeliams
19	1001672	Anglies kasetė visiems modeliams
20	1001674	Diržo rėmas ir medžiaginis diržas
21	1028830	„Airvisor 2“ (ne DAC) specialus didelio srauto greito atjungimo kaištis
21	1765069	„Airvisor 2“ (DAC) specialus didelio srauto greito atjungimo dvigubas kaištis
22	1028831	„Airvisor 2“ didelio srauto spartaus atjungimo jungtis
23	1001726	„BlueLine“ oro tiekimo žarna, 3,5 m (ne DAC „Airvisor 2“)
23	1001727	„BlueLine“ oro tiekimo žarna, 7,5 m (ne DAC „Airvisor 2“)
23	1004716	„BlueLine“ oro tiekimo žarna, 10 m (ne DAC „Airvisor 2“)
23	1765070	Žalia oro tiekimo žarna, 3,5 m (DAC „Airvisor 2“)
23	1765071	Žalia oro tiekimo žarna, 7,5 m (DAC „Airvisor 2“)
23	1765072	Žalia oro tiekimo žarna, 10 m (DAC „Airvisor 2“)
24	1001683	Puškimo pistoleto oro žarna (1,2 m) naudoti su DAVK-0001E ir DMAK-0021E
25	1001733	Vienkartiniai medžiaginiai gaubtai naudoti su visais DAVK ir DMAK modeliais (5 vnt. rinkinys)
26	1001676	Vienkartiniai medžiaginiai gaubtai galvai ir kaklui naudoti su visais DAVK ir DMAK modeliais (5 vnt. rinkinys)
27	1001754	Liepsnai atsparus galvos ir kaklo apsauginis gaubtas naudoti su DAWK-4011E
28	1001738	Medžiaginis laikymo krepšys visiems modeliams

GAISA PADEVES RESPIRATORA LIETOTĀJA INSTRUKCIJAS LUDZU, SAGLABĀJIET, LAI TĀS BŪTU PIEEJAMAS NĀKOTNĒ



Neizmantojiet aprīkojumu, kamēr neizlasīsit šīs instrukcijas un neiziesiet ar izstrādājumu saistīto apmācību.

LIETOŠANAS UN APKOPES INSTRUKCIJAS



- **Saspieštajam gaisam, kas tiek padots uz izstrādājumu saimi Airvisor 2, ir jābūt elpošanai piemērojamai kvalitātei atbilstoši EN 12021. Atbilstības nodrošināšanai Honeywell iesaka izmantot Clearflow filtru sistēmas. Gaisa kvalitāte ir periodiski jāpārbauda, izmantojot piemērotu pārbaudes aprīkojumu. Pirms ieejat darba zonā, ievērojiet tālāk sniegtās instrukcijas.**
- **Modeļos Airvisor 2 DAC (divkāršas darbības savienojumi) tiek piedāvāti īpaši divkāršas darbības savienojumi saspiegtā gaisa padevei, nodrošinot īpašu savienojuma konstrukciju un īpašu aizsardzību pret negadītu atvienošanu.**

PĀRBAUDES PIRMS LIETOŠANAS

- Pārbaudiet brīdinājuma svīpēs darbību, lai pārliecinātos, ka uz respiratoru tiek padots nepieciešamais gaisa apjoms (skatiet tālāk sniegtās instrukcijas).
- Pārbaudiet, vai aprīkojums nav bojāts, pievēršot īpašu uzmanību šūtenei, sejsarga padeves caurulītei un sejas aizsargam.
- Neizmantojiet respiratoru, ja sejas aizsargs vai difuzors uz gaisa padeves caurules ir bojāts, jo tas var ietekmēt aizsardzību.
- Pārliecinieties, ka sejsargs nodrošina labu redzamību.

APRĪKOJUMA UZVILKŠANA

- Nostipriniet jostas komplektu uz jostas daļas un noregulējiet to, lai būtu ērti. Ja nepieciešams, vispirms uzvelciet auduma kapuci (25) un pēc tam sejsarga komplektu.
- Turiet sejsargu (6, 7, 8) paceltu un noregulējiet augšējo siksnu un ķiveri, lai tā cieši piegulētu.
- Ievērojiet sejsarga gaisa padeves caurulīti (5) miniatūrai ātras plūsmas ātrajam ligzdai (17).
- Izvēlieties piemērotu gaisa šūtenes (23) garumu, bet ne garāku kā 18 triecus, un savienojiet ātras plūsmas ĀJ ligzdu uz šūtenes jostas komplekta gaisa ieplūdes atveri (21).
- Otru galu pievienojiet filtrēta gaisa padevei.



Izmantojiet Airvisor 2 DAC modeļus, izmantojiet zaļu gaisa padeves šūteni. Standarta Airvisor 2 modeļiem izmantojiet zilās šūtenes.

Nepieciešamības gadījumā savienojiet gaisa izplūdes atveri (22) ar pneimatisko instrumentu (24) uz jostas komplekta.

Ieslēdziet gaisa padevi un noregulējiet, lai jostas komplekta ieplūdē nodrošinātu spiedienu diapazonā no 4,5 bāriem (61 psi) līdz 7 bāriem (102 psi) (skatiet padeves spiediena tabulu lapas otrajā pusē). Pārliecinieties, ka nav gaisa noplūdes. Ja dzirdama brīdinājuma svīpe, palieliniet ieplūdes spiedienu, līdz tā aplkust. Ja, palielinot spiedienu, svīpe joprojām ir dzirdama, noslēdziet gaisa padevi un, noregulējot spiedienu, sāciet vēlreiz.

Lūdzu, ievērojiet, ka Airvisor 2 un Airvisor 2 MV komplektiem, kuri tiek izmantoti kopā ar papildu pneimatisko instrumentu vai smidzinātāju, ir nepieciešams lielāks ieplūdes spiediens (tādēļ ir jāveic papildu pārbaude). Ja, strādājot šādā veidā, instrumentam ir jādarbojas pirms respiratora uzvilkšanas –un, ja šādos apstākļos dzirdama brīdinājuma svīpe, palieliniet ieplūdes spiedienu, līdz tā aplkust. Šādi tiek nodrošināts, ka gaisa pietiks gan respiratora sejsargam, gan papildu instrumentam vai smidzinātājam.

Nolaidiet sejsargu, veicot nepieciešamo augšējās siksnas un ķiveres regulēšanu, lai sejas aizsargs optimāli piegulētu sejai. Pārbaudiet, vai starp ādu un sejas aizsargu nav acīmredzamu spraugu. Ja redzamas spraugas, atkārtoti noregulējiet ierīci, līdz tās noslēdzas. Tagad var iet piesārņotā zonā. Lūdzu, ievērojiet: ja normālo darba apstākļu laikā ir dzirdama brīdinājuma svīpe, tas nozīmē, ka respiratora sejsargam netiek padots pietiekams gaisa daudzums –nekavējoties izejiet no piesārņotas zonas, pēc tam noņemiet sejsargu –palieliniet ieplūdes spiedienu līdz piemērotajam līmenim.

Gaisa padeves caurulītes un difuzora komplekta nomaīņa (visi modeļi):

- ja gaisa padeves caurulīte (5) ir nodilusi vai bojāta, tā ir jānomaina, lai izvairītos no noplūdēm.
- Atvienojiet caurulīti no tās montāžas punktiem (uzstādīta ierobejuma ķiveres aizmugurējā daļā un uzstādīta uz diviem caurspīdīgajiem fiksatoriem) un pēc vācīņa noņemšanas izņemiet difuzoru no centrēta izliekta turētāja.
- Uzstādiet jaunu komplektu, uzmanīgi izlaižot putu difuzoru caur izliekto turētāju un nofiksējot vācīņu uz vietas.
- Pievienojiet gaisa padeves caurulīti sejsargam/ietvaram, izmantojot divus fiksatorus un pārliecinoties, ka caurulīte ir iegājusī ķiveres ierobejuma.

Vienreizējās lietošanas sejsargu pārsegu nomaīņa (visi modeļi):

- atrodiet sejsarga pārsegu (9/10/11) virs metāla tapām jebkurā sejsarga pusē.

Sejsarga nomaīņa (DAVK-000*E & DAWK-4001E modeļi):

- atvienojiet sejsarga gaisa padeves caurulīti (5) no uzacu aizsarga.
- Turot uzacu aizsargu, ar īkšķi un rādītājpirkstu stipri spiediet sejsarga (6) augšdaļu no ārpusē uz iekšpusi.
- Izņemiet sejsarga zilās uzacu aizsarga fiksatorus no ierīevju atverēm.
- Ja sejsarga gaisa padeves caurule ir jāizmanto atkārtoti, atvienojiet caurulīti no sejsarga iekšpuses, uzmanīgi izvelkot divus caurspīdīgus fiksatorus, ja ne, izmetiet gan sejsargu, gan caurulīti.
- Lai tos atkal saliktu, izlaižiet gaisa caurulītes ĀJ savienotāju augšup caur atveri sejsarga putās.
- Piestipriniet sejsarga gaisa padeves caurulīti sejsargam, izmantojot sejsarga caurspīdīgos fiksatorus un centrētu izliekto turētāju.
- Uzstādiet zilās uzacu fiksatorus ierīevja atverēs sejsarga augšdaļā no jauna un cieši piespiežot, pagrieziet pret uzacu aizsargu un nofiksējiet pozīcijā.

Sejas aizsarga kasetes nomaīņa (DMAK-002*E & DAWK-4011E modeļļ):

- Turiet apgrieztu Airvisor uz rokas un turiet lietu ietvaru.
- Ar brīvo roku turiet sejas aizsarga kaseti un ātri atraujiet to no sejsarga.
- Centrējiet jauno kaseti (12, 14) zem sejsarga.
- Sākot vienā galā un turpinot gar visu ietvaru, nofiksējiet kaseti pie sejsarga ietvara. Kas attiecas uz auduma daļām, pārliecinieties, ka brīve gali ieiet ķiverē, pēc tam nolieciet uz leju ķiveres ārpusi un sastipriniet tos, izmantojot saspiestu podziņu –ja rodas šaubas, pirms izjaukšanas skatiet esošo konfigurāciju.
- Kasete ir jāmaina, ja redzamas bojājumu pazīmes vai uzkrājās putekļi vai dubļi.

sejsarga nomaīņa (DMAK-002*E & DAWK-4011E modeļļ):

- pārbaudiet, vai nav putu blīvlentes bojājumu, un nepieciešamības gadījumā to nomainiet.
- Noņemiet sejsargu, spiežot to no iekšpusēs.
- Ievietojiet sejsarga sāna cilpiņu sejsarga malas atverē, nodrošinot, ka augšējā mala atrodas uzacu aizsarga rievā.
- Ielaidiet sejsargu (7) apkārt sejsarga malas izliekumam un beigās ievietojiet apakšējās cilpiņas zoda aizsarga atverēs.

Metināšanas filtra nomaīņa / uzstādīšana (tikai metināšanas komplektiem)

DAWK-4001E:

- Atskrūvējiet lēcas skavas skrūves maskas iekšpusē.
- Noņemiet uzliktnus un filtru.
- Pēc vajadzības nomainiet filtru.
- Ievietojiet atpakaj skavu un skrūves.

DAWK-4011E:

W sērijas metināšanas komplekta gadījumā loga stiprinājumiem ir iespējams piekļūt no metināšanas maskas ārpusēs pēc gaiši zilā ārējā pārsega noņemšanas. Tonētā loga stikla konstrukcijas ir piestiprinātas ar elastīgu skavu palīdzību.

Ogļu kasetnes nomaīņa:



ogļu kasetne (19) ir jāmaina, ja saozama smaka vai pēc 1000 lietošanas stundām (maksimālais laiks).

- Atvienojiet jostu no gaisa padeves, noņemiet visas savienojošās šļūtenes un izņemiet trīs fiksācijas skrūves.
- Nolieciet uz priekšu un noņemiet regulatora komplektu un apgrieziet jostu, lai noņemtu ogļu kasetni.
- Uzstādiet gredzenveida blīves jaunās kasetnes augšā un apakšā.
- Ievietojiet korpusā un uzstādiet melno izcilni jostas korpusa apakšdaļas atverē.
- Uzstādiet skrūves un pievienojiet gaisa padevi.
- Pārbaudiet, vai nav gaisa noplūžu.



Uzstādot maiņas daļas, izmantojiet tikai Honeywell daļas, lai saglabātu optimālu aizsardzību.

TĪRĪŠANA UN DEZINFEKCIJA PĒC KATRAS LIETOŠANAS REIZES

- Noņemiet putekļus un neffrumus no aparāta, izmantojot mitru drānu, kas samitrināta ar maigu dezinfekcijas līdzekli vai šķidro ziepju šķīdumu.
- Nemērciet aparātu ūdenī.
- Neizmantojiet šķīdinātāju vai neatšķaidītu mazgāšanas līdzekli, kas var bojāt aparātu.
- Neizmantojiet abrazīvu tīrīšanas līdzekli, kas var bojāt aparāta virsmu vai saskrāpēt sejsargu.
- Ļaujiet tam pilnīgi nožūt labi vedinātā vietā, prom no tiešajiem saules stariem un augstas temperatūras vai izstarota siltuma avotiem.
- Pēc tīrīšanas un dezinfekcijas novietojiet aparātu glabāšanas somā (28).



- **Saspiestajam gaisam, kas tiek padots uz izstrādājumu saimi Airvisor 2, ir jābūt elpošanai piemērojamai kvalitātei atbilstoši EN 12021.**
- Pārliecinieties, ka elpošanas gaisa mitruma saturs tiek regulēts EN 12021 norādītajās robežās, lai nepieļautu, ka gaiss sasaldē aparātu zemās temperatūrās.
- Ir jābūt īpaši piesardzīgam, lai nodrošinātu, ka aparāts nav pieslēgts darba vietā esošām alternatīvām gaisa līniju sistēmām, kas padod elpošanai neparedzētu gaisu.
- Aparātu nedrīkst pieslēgt skābekļa vai ar skābekli bagātināta gaisa padeves līnijai.
- Ja gaisa padeves sistēmai ir pievienots vairāk nekā viens lietotājs, pārliecinieties, ka sistēmai ir pietiekama jauda, lai apgādātu visus lietotājus.
- Honeywell BlueLine gaisa šļūtenes (standarta Airvisor 2) vai zaļās šļūtenes (Airvisor 2 DAC) un augstas plūsmas savienojumu lietošana ir apstiprinājuma neatņemama daļa. Neizmantojiet citu veidu šļūtenes un nepielāgojiet šļūtenes, kuras nav paredzētas lietot ar jūsu aparātu.
- Maksimālais gaisa padeves šļūtenes garums A klases ierīcēm ir 10 metri. Ir jāizmanto viena nepārtraukta šļūtene. Maksimālā garuma sasniegšanai nedrīkst savienot tsākas šļūtenes.
- Honeywell saspiestā gaisa padeves šļūtenes maksimālais (nominālais) darba spiediens ir 10 bāri.
- Nav piemērots lietošanai vietās ar apkārtējā gaisa temperatūru virs 35°C. Neatstājiet aprīkojumu krāsošanas kamerā, kad tā ir pārveidota žāvēšanas krāsnī.
- Nedrīkst izmantot apstākļos, kad lietotājam tiktu nodarīts neatgriezenisks kaitējums, ja viņš nebūtu aizsargāts, vai vidē, kur ir skābekļa deficīts.
- Strādājot ļoti intensīvi, pie maksimālās ieelpošanas plūsmas spiediens ķiverē var kļūt negatīvs.
- Ja, atrodoties piesārņotā vietā, ir aizdomas par nepareizu darbību vai skan brīdinājuma svilpe, pārliecinieties, ka sejsargs ir bloķēts nolaistā pozīcijā, un nekavējoties izejiet no bīstamas zonas.
- Aizsardzība no kausēta metāla tiek nodrošināta tikai ja, tiek izmantoti vienreizējās lietošanas sejsargu pārsegi.
- Attiecīgos gadījumos marķējums F1 norāda, ka aparātu un saspiestā gaisa padeves caurulīti var izmantot situācijās, kur pastāv uzliesmojuma risks.
- Aparāts var nenodrošināt piemērotu aizsardzību noteiktās toksiskās atmosfērās. Lietotājs ir atbildīgs par to, lai nodrošinātu aparāta piemērotību veicamajam darbam un piemērotību atsevišķam lietotājam. Vadlīnijas skatiet vietējā likumdošanā.

Minimālie padeves spiediņi saspiestā gaisa padeves šļūtenes iēplūdē:			
		Padeves spiediens bāros (psi)	
Padeves šļūtenes atvere (mm)	Šļūtenes garums (m)	DAVK-0001E DMAK-0021E	DAVK-0003E, 0004E DMAK-0023E, 0024E DAWK-4001E, 4011E
8	3,5	5,3 bāri (77 psi)	4,5 bāri (61 psi)
	7,5	5,4 bāri (79 psi)	4,6 bāri (63 psi)
	10	5,5 bāri (80 psi)	4,7 bāri (64 psi)



- Maksimālais padeves šļūtenes garums ir 10 metri.
- DAVK-0001E un DMAK-0021E modeļiem – ja, izmantojot papildu instrumentu vai smidzinātāju, noskan brīdinājuma svilpe, palieliniet iēplūdes spiedienu, līdz tā aplkust. Šādi tiek nodrošināts, ka ķiveri sasniedz pietiekama gaisa plūsma un jūs esat drošībā.

TEHNISKĀ INFORMĀCIJA

Sertifikācija/apstiprinājums	CE apstiprināts (CE 0194)
Standarts/atbilstība	EN 14594:2005 (vieglā režīma A klase)
Nominālās aizsardzības faktori	3. klase = 200 DAVK modeļi 4. klase = 2000 DAVK un DMAK modeļi
Sejsargs: Ķīmiski izturīgs Izturīgs pret iedarbību	EN 166.2.F EN 166.2.B.9
Ražotāja minimālais aplēses plūsmas ātrums Maksimālais plūsmas ātrums	260 l/min 290 l/min
Darba spiediens	4,5 bāri (61 psi) līdz 7,0 bāri (102 psi)
Maksimālā darba temperatūra	35°C
Oglu kasetne	Nomainiet pēc 1000 stundām vai ja ķiverē saozama smaka

AIZSARDZĪBAS FAKTORI

Piešķirtais aizsardzības faktors (APF) 40 nozīmē, ka respiratoru var izmantot piesārņojuma zonās līdz 40 X darba vietas ekspozīcijas ierobežojumam. Citās ģeogrāfiskās zonās skatiet valsts vai reģionālos noteikumus vai vadlīnijas, kas maina aizsardzības faktora vērtību, kuru atļauts izmantot, izvēloties elpošanas orgānu aizsardzību.

AIRVISOR RESPIRATORU SISTĒMAS

Priekšmeta Nr.	Daļas nr.	Apraksts
1013932	DAVK-0001E	Airvisor 2 krāsas smidzināšanas komplekts
1013934	DAVK-0003E	Airvisor 2 ķīmiskais komplekts
1013935	DAVK-0004E	Airvisor 2 rūpnieciskais komplekts
1013938	DMAK-0021E	Airvisor 2 MV krāsas smidzināšanas komplekts
1013939	DMAK-0023E	Airvisor 2 MV ķīmiskais komplekts
1013980	DMAK-0024E	Airvisor 2 MV rūpnieciskais komplekts
1013983	DAWK-4001E	Airvisor 2 FV sērijas metināšanas komplekts
1013987	DAWK-4011E	Airvisor 2 W sērijas metināšanas komplekts
1765058	DAVK-0001E-DAC	Airvisor 2 krāsas smidzināšanas komplekts ar divkāršas darbības savienotāju
1765059	DAVK-0003E-DAC	Airvisor 2 ķīmiskais komplekts ar divkāršas darbības savienotāju
1765060	DAVK-0004E-DAC	Airvisor 2 rūpnieciskais komplekts ar divkāršas darbības savienotāju
1765061	DMAK-0021E-DAC	Airvisor 2 MV krāsas smidzināšanas komplekts ar divkāršas darbības savienotāju
1765062	DMAK-0023E-DAC	Airvisor 2 MV ķīmiskais komplekts ar divkāršas darbības savienotāju
1765063	DMAK-0024E-DAC	Airvisor 2 MV rūpnieciskais komplekts ar divkāršas darbības savienotāju
1765064	DAWK-4001E-DAC	Airvisor 2 FV sērijas metināšanas komplekts ar divkāršas darbības savienotāju
1765065	DAWK-4011E-DAC	Airvisor 2 W sērijas metināšanas komplekts ar divkāršas darbības savienotāju

Rezerves ķiveres (saliktas):

1013936	DAVK-0051E	Izmantošanai ar DAVK-0001/03E
1013937	DAVK-0052E	Izmantošanai ar DAVK-0004E
1013981	DMAK-0071E	Izmantošanai ar DMAK-0021/23E
1013982	DMAK-0072E	Izmantošanai ar DMAK-0024E
1013986	DAWS-4101E	Izmantošanai ar DAWK-4001E
1013988	DAWS-4201E	Izmantošanai ar DAWK-4011E

Rezerves jostas (saliktas):

1013989	DAVV-1001E	Izmantošanai ar DAVK-0001E un DMAK-0021E
1013990	DAVV-1003E	Izmantošanai ar DAVK-0003/04E un DMAK-0023/24E un DAWK-4001/11E
1765066	DAVV-1001E-DAC	Izmantošanai ar DAVK-0001E-DAC un DMAK-0021E-DAC
1765067	DAVV-1003E-DAC	Izmantošanai ar DAVK-0003/04E-DAC un DMAK-0023/24E-DAC un DAWK-4001/11E-DAC

Maņas daļas un piederumi (kā parādīts izstrādājuma rasējumos):

Nr.	Priekšmeta Nr.	Apraksts
1	1028821	Uzacu aizsargs un ķivere Airvisor 2 DAVK modeļiem
2	1028822	Uzacu aizsargs un ķivere Airvisor 2 MV DMAK modeļiem
3	1028823	Regulējama stīpa Airvisor 2 FV sērijas metināšanas komplektam
4	1028824	Uzacu aizsargs un stīpa Airvisor 2 W sērijas metināšanas komplektam
5	1028825	Airvisor 2 gaisa padeves caurulītes un difuzora visiem modeļiem
6	1028826	Acetāta sejsargs (ķīmiski izturīgs) izmantošanai ar DAVK-0001/03E
6	1028827	Polikarbonāta sejsargs (izturīgs pret iedarbību) izmantošanai ar DAVK-0004E
7	1001775	Acetāta sejsargs (ķīmiski izturīgs) izmantošanai ar DMAK-0021/23E (komplekts no 5)
7	1001774	Polikarbonāta sejsargs (izturīgs pret iedarbību) izmantošanai ar DMAK-0024E (komplekts no 5)
	1028870	Sejsarga blīvēntes izmantošanai ar 7. pozīciju (komplekts no 10)
8	1028828	Polikarbonāta iekšējais sejsargs (trīcienizturīgs) izmantošanai ar DAWK-4001E
9	1001732	Vienreizējās lietošanas sejsarga pārsegi izmantošanai ar visiem DAVK modeļiem (komplekts no 10)
9	1001731	Vienreizējās lietošanas sejsarga pārsegi izmantošanai ar visiem DAVK modeļiem (komplekts no 50)
10	1001778	Vienreizējās lietošanas sejsarga pārsegi izmantošanai ar visiem DMAK modeļiem (komplekts no 10)
10	1001779	Vienreizējās lietošanas sejsarga pārsegi izmantošanai ar visiem DMAK modeļiem (komplekts no 50)
11	1001749	Vienreizējās lietošanas sejsarga pārsegi izmantošanai ar DAWK-4001E (komplekts no 10)
12	1013994	Auduma sejas noslēgšanas kasete DMAK modeļiem (komplekts no 5)
13	1001748	Auduma sejas noslēgšanas konstrukcija modelim DAWK-4001E
14	1013994	Auduma sejas noslēgšanas kasete modelim DAWK-4011E (komplekts no 5)
15	1001750	Metināšanas maska modelim DAWK-4001E
16	1005103	Metināšanas maska modelim DAWK-4011E
17	1001725	Miniaturā augstas plūsmas ātrjaucama ligzda
18	1028829	Airvisor 2 regulatora komplekts visiem ne DAC modeļiem
18	1765068	Airvisor 2 regulatora komplekts visiem DAC modeļiem
19	1001672	Ogļu kasetne visiem modeļiem
20	1001674	Jostas korpuss un auduma sikсна
21	1028830	Airvisor 2 (ne DAC) īpašais augstas plūsmas ātrjaucams spraudnis
21	1765069	Airvisor 2 (DAC) īpašais augstas plūsmas ātrjaucams divsatveršanas spraudnis
22	1028831	Airvisor 2 augstas plūsmas ātrjaucama ligzda
23	1001726	BlueLine gaisa padeves šūtene 3,5 m (ne DAC Airvisor 2)
23	1001727	BlueLine gaisa padeves šūtene 7,5 m (ne DAC Airvisor 2)
23	1004716	BlueLine gaisa padeves šūtene 10 m (ne DAC Airvisor 2)
23	1765070	Zaļa gaisa padeves šūtene 3,5 m (DAC Airvisor 2)
23	1765071	Zaļa gaisa padeves šūtene 7,5 m (DAC Airvisor 2)
23	1765072	Zaļa gaisa padeves šūtene 10 m (DAC Airvisor 2)
24	1001683	Smidzinātāja gaisa šūtene (1,2 m) izmantošanai ar DAVK-0001E un DMAK-0021E
25	1001733	Vienreizējās lietošanas auduma kapuce izmantošanai ar visiem DAVK un DMAK modeļiem (komplekts no 5)
26	1001676	Vienreizējās lietošanas galvas un kakla pārsegs izmantošanai ar visiem DAVK un DMAK modeļiem (komplekts no 5)
27	1001754	Ugunsdrošs galvas un kakla pārsegs izmantošanai ar DAWK-4011E
28	1001738	Auduma glabāšanas soma visiem modeļiem

GEBRUIKSHANDLEIDING ADEMHALINGSTOESTEL MET LUCHTTOEVOER GELIEVE TE BEWAREN OM OP EEN LATER TIJDSTIP TE RAADPLEGEN



Gebruik de uitrusting niet alvorens deze instructies gelezen te hebben en enige opleiding inzake het product genoten te hebben.

INSTRUCTIES VOOR GEBRUIK EN ONDERHOUD



- De perslucht die geleverd wordt aan de producten van het gamma Airvisor 2 dient inadembaar te zijn conform EN 12021. Honeywell beveelt het gebruik van filtersystemen van Clearflow aan om aan deze norm te voldoen. De luchtkwaliteit dient op regelmatige tijdstippen gecontroleerd te worden door middel van gepaste testvoorzieningen. Neem de volgende instructies in acht alvorens de werkzone te betreden.
- DAC-modellen (met dubbelwerkende koppelingen) van Airvisor 2 beschikken over specifieke dubbelwerkende aansluitingen voor de toevoer van perslucht, wat leidt tot een specifieke aansluitwijze en extra bescherming tegen onverwachte loskoppelingen.

CONTROLES VOOR GEBRUIK

- Controleer de werking van het waarschuwingsfluitje om te verzekeren dat het correcte volume lucht aan het ademhalingsstoestel geleverd wordt (zie onderstaande instructies).
- Inspecteer de ganse uitrusting op beschadiging en let hierbij in het bijzonder op de slang, de voedingsleiding en de gezichtsbescherming van de klep.
- Gebruik het ademhalingsstoestel niet wanneer de gezichtsbescherming of de verdeler op de luchttoevoerleiding beschadigd zijn, aangezien dit de bescherming zal beïnvloeden.
- Zorg ervoor dat de deksels van de klep een duidelijk zicht bieden.

DE UITRUSTING AANTREKKEN

- Bevestig de riemen rond uw taille en stel deze af, zodat ze comfortabel zitten. Indien nodig trekt u de stoffen kap (25) aan, gevolgd door het klepgeheel.
- Hou de klep (6, 7, 8) omhoog en stel de kroonriem en de hoofdband af, zodat ze stevig vast zitten.
- Verbind het uiteinde van de luchttoevoerleiding van de klep (5) met de kleine aansluiting voor snelle vrijgave aan een hoog debiet (17).
- Selecteer een luchtslang met een gepaste lengte (23) tot maximum 10 meter en verbind de aansluiting voor snelle vrijgave aan een hoog debiet op de slang met de luchtinlaat (21) op het riemgeheel.
- Sluit het andere uiteinde aan op de gefilterde luchttoevoer.



Voor DAC-modellen van Airvisor 2 dient u de groene luchttoevoerslang te gebruiken. Gebruik de blauwe slangen voor standaardmodellen van Airvisor 2.

Sluit de luchttaangedreven tool (24) indien nodig aan op de luchtuitlaat (22) van het riemgeheel.

Schakel de luchttoevoer in en stel de druk af tussen 4,5 bar (61 psi) en 7 bar (102 psi) op de inlaat van het riemgeheel (zie Tabel voor toevoerdruk hieronder). Zorg ervoor dat er geen lekken zijn. Indien het waarschuwingsfluitje geluid produceert, dient u de invoerdruk te verhogen tot dit stopt. In het geval het fluitje niet stopt wanneer u de druk verhoogt, sluit u de luchttoevoer en start u opnieuw na de druk afgesteld te hebben.

Het is belangrijk te weten dat de kits van Airvisor 2 en Airvisor 2 MV die gebruikt worden in combinatie met een extra luchttaangedreven tool, of spuitpistool, een hogere invoerdruk vereisen (waardoor er een extra controle uitgevoerd moet worden). Indien u op deze manier werkt, dient de tool bediend te worden alvorens het ademhalingsstoestel gedragen wordt - wanneer het waarschuwingsfluitje in deze omstandigheden geluid produceert, verhoogt u de druk tot dit stopt. Zo wordt er verzekerd dat er voldoende lucht is voor zowel de klep van het ademhalingsstoestel als de extra tool of het spuitpistool.

Breng de klep omlaag en voer indien nodig afstellingen uit aan de kroonriem en de hoofdband om ervoor te zorgen dat de gezichtsbescherming correct rond het gezicht zit. Controleer op duidelijke zichtbare openingen tussen de huid en de gezichtsbescherming. Indien er openingen waargenomen worden, stelt u het toestel opnieuw af tot deze gesloten zijn. U bent nu klaar om de besmette zone te betreden. Opgelet: wanneer het waarschuwingsfluitje geluid produceert tijdens normale bedrijfsomstandigheden, geeft dit aan dat er onvoldoende lucht naar de klep van het ademhalingsstoestel stroomt - verlaat onmiddellijk de besmette zone en verwijder de klep - verhoog de invoerdruk tot een gepast niveau.

Vervanging van het geheel luchttoevoerleiding en verdeler (alle modellen):

- Indien de luchttoevoerleiding (5) versleten of beschadigd is, dient deze vervangen te worden om lekken te voorkomen.
- Koppel de leiding los van de bevestigingspunten (aangesloten in inkeping achteraan het kopstuk en gemonteerd op twee vrije borgpennen) en verwijder de verdeler van de centraal gemonteerde, gebogen houder nadat u de kap verwijderd heeft.
- Installeer het nieuwe materiaal door zorgvuldig de schuimrubberen verdeler in de gebogen houder te voeren en de kap terug op de correcte plaats te klikken.
- Bevestig opnieuw de luchttoevoerleiding aan de klep / het frame door middel van de twee borgpennen en zorg ervoor dat de leiding correct in de inkeping van het kopstuk zit.

Vervanging van wegwerpbaar klepdeksels (alle modellen):

- Breng het klepdeksel (9/10/11) over de metalen bouten op elke zijde van de klep.

Vervanging van de klep (modellen DAVK-000*E & DAWK-4001E):

- Klik de luchttoevoerleiding van de klep (5) los van het bovenstuk.
- Hou het bovenstuk vast en druk de bovenzijde van de klep (6) stevig van buiten naar binnen met uw duim en wijsvinger.
- Haak de groeven op de klep los uit de blauwe pennen op elke zijde van het bovenstuk.
- Indien de luchttoevoerleiding van de klep opnieuw gebruikt dient te worden, klikt u de leiding los van de binnenzijde van de klep door zorgvuldig de twee vrije borgpennen eruit te trekken. Anders verwijdert u zowel de klep als de leiding.
- Voor de hermontage brengt u de aansluiting voor snelle vrijgave van de luchtleiding omhoog door het gat in het schuimrubber van de klep.
- Sluit de luchttoevoerleiding van de klep aan op de klep met de twee vrije borgpennen en de centraal gemonteerde, gebogen houder.
- Breng de blauwe pennen van het bovenstuk opnieuw in de groeven bovenaan de klep, druk stevig en draai in de richting van het bovenstuk om vast te klikken.

Vervanging van de houder van de gezichtsbescherming (modellen DMAK-002*E & DAWK-4011E):

- Leg de Airvisor omgekeerd op de arm en hou het gevormde frame vast.
- Met uw vrije hand houdt u de onderkant van de houder van de gezichtsbescherming vast en trekt u deze weg van de klep met één snelle actie.
- Breng de vervangingshouder (12, 14) onder de klep.
- Klik de houder op het klepframe, waarbij u begint aan het ene uiteinde en zo verder het frame afwerkt. Voor de stoffen delen dient u ervoor te zorgen dat de vrije uiteinden in de hoofdband passen. Vervolgens vouwt u de buitenkant van de hoofdband naar beneden en bevestigt u de uiteinden aan zichzelf door middel van de drukknoppen - raadpleeg bij twijfel de bestaande configuratie alvorens te demonteren.
- De houder dient vervangen te worden wanneer er tekens van beschadiging of opgebouwd stof of vuil zichtbaar zijn.

Vervanging van de klep (modellen DMAK-002*E & DAWK-4011E):

- Controleer de schuimrubberen afdichtingsstroken op beschadiging en vervang ze indien nodig.
- Verwijder de klep door er langs de binnenkant op te duwen.
- Breng de zijlus van de klep in de opening van de kleprand en zorg ervoor dat de bovenzijde zich in de groef van het bovenstuk bevindt.
- Breng de klep (7) rond de kromming van de kleprand en breng tot slot de lussen onderaan in de openingen van de kinbescherming.

Vervanging / plaatsing van de lasfilter (uitsluitend laskits)

DAWK-4001E:

- Schroef de klemschroeven van de lens aan de binnenzijde van de schelp los.
- Verwijder de dekplaten en de filter.
- Vervang de filter indien nodig.
- Plaats de klemschroeven opnieuw.

DAWK-4011E:

Bij een laskit van de W-reeks gebeurt de toegang tot het borgsysteem van het venster van buiten de lasschelp, na de verwijdering van het lichtblauwe buitendeksel. De getinte venstergeheelen worden op hun plaats gehouden door middel van een flexibel kliksysteem.

Vervanging van koolstofpatroon:



De koolstofpatroon (19) dient vervangen te worden wanneer er een geur waargenomen wordt of na 1000 uren gebruik (maximum).

- Koppel de riem los van de luchttoevoer, verwijder alle aangesloten slangen en verwijder de drie borgschroeven.
- Kantel het regelaargeheel naar voren en verwijder het; keer de riem om de koolstofpatroon te verwijderen.
- Plaats de O-afdichtingen bovenaan en onderaan de nieuwe patroon.
- Plaats in de gleuf van de behuizing en breng de zwarte aansluiting op het regelaargeheel in de gleuf op de onderste helft van de riembehuizing.
- Bevestig opnieuw de schroeven en sluit opnieuw aan op de luchttoevoer.
- Controleer op luchtlekken.



Gebruik bij vervangingen uitsluitend onderdelen van Honeywell om een optimale bescherming te behouden.

REINIGEN EN ONTSMETTEN NA IEDER GEBRUIK

- Verwijder stof en vuiligheid van het toestel met behulp van een vochtige doek en een mild ontsmettingsmiddel of vloeibare zeepoplossing.
- Dompel het toestel niet onder.
- Gebruik geen oplosmiddel of onverdund reinigingsmiddel dat het toestel zou kunnen beschadigen.
- Gebruik geen schuurmiddel dat het oppervlak van het toestel zou kunnen beschadigen of krassen zou kunnen maken op de klep.
- Laat het toestel volledig drogen in een goed geventileerde ruimte, uit de buurt van rechtstreeks zonlicht en bronnen van hoge temperaturen of stralingswarmte.
- Plaats het toestel in een opslagtas (28) na de reiniging en ontsmetting.



- De perslucht die geleverd wordt aan de producten van het gamma Airvisor 2 dient inadembaar te zijn conform EN 12021.
- Zorg ervoor dat de vochtigheid van de inadembare lucht binnen de grenzen van EN 12021 blijft om te vermijden dat de lucht het toestel bevest bij lage temperaturen.
- Er dient in het bijzonder op gelet te worden dat het toestel nooit aangesloten wordt op alternatieve luchtlijnsystemen in de werkplaats die andere gassen dan inadembare lucht leveren.
- Het toestel mag niet aangesloten worden op een toevoer van zuurstof of met zuurstof verrijkte lucht.
- Wanneer er meer dan één gebruiker verbonden is met het luchttoevoersysteem, dient ervoor gezorgd te worden dat het systeem over voldoende capaciteit beschikt om elke gebruiker te voorzien.
- Het gebruik van de BlueLine-lucht slang van Honeywell (standaard Airvisor 2) of de groene slang (Airvisor 2 DAC) en koppelingen voor een hoog debiet maakt wezenlijk deel uit van de goedkeuring. Gebruik geen ander type slang en pas de specifieke slangen voor gebruik met uw toestel niet aan.
- De maximumlengte van de toevoerslang voor toestellen van Klasse A bedraagt 10 meter, zodat er één ononderbroken slang gebruikt wordt. Kortere slangen mogen niet samengevoegd worden om de maximumlengte te bekomen.
- De maximale (nominale) bedrijfsdruk voor persluchttoevoerslangen van Honeywell bedraagt 10 bar.
- Niet geschikt voor gebruik in zones met een omgevingstemperatuur boven 35 °C; zorg ervoor dat u geen uitrusting achterlaat in een spuitcabine wanneer deze omgevormd wordt tot een droogoven.
- Het toestel mag niet gebruikt worden wanneer de gebruiker blijvende schade zou oplopen indien hij niet beschermd zou zijn, noch in zuurstofarme omgevingen.
- Bij hoge bedrijfsbelastingen is het mogelijk dat de druk in het kopstuk negatief wordt bij een maximaal inademensdebiet.
- Wanneer u een besmette zone betreedt, dient u ervoor te zorgen dat de klep vergrendeld is in de onderste positie en dient u deze zone onmiddellijk te verlaten indien u een defect waarneemt of indien het waarschuwingsfluitje geluid produceert.
- De bescherming van gegoten metaal wordt enkel verschaft wanneer er gebruik gemaakt wordt van de wegwerpbare klepdeksels.
- De markering 'F1', indien van toepassing, wijst erop dat het toestel en de toevoerleiding voor perslucht gebruikt kunnen worden in situaties waar er een ontvlambaarheidsrisico bestaat.
- Het is mogelijk dat het toestel geen geschikte bescherming biedt in bepaalde zeer toxische omgevingen. Het is de verantwoordelijkheid van de gebruiker om te controleren of het toestel geschikt is voor het uit te voeren werk, alsook geschikt voor de individuele gebruiker. Gelieve de plaatselijke wetgeving te raadplegen voor meer informatie.

Minimale toevoerdruk aan de inlaat van de toevoerslang voor perslucht:

		Toevoerdruk in bar (psi)	
Diameter toevoerslang (mm)	Slanglengte (m)	DAVK-0001E DMAK-0021E	DAVK-0003E, 0004E DMAK-0023E, 0024E DAWK-4001E, 4011E
8	3,5	5,3 bar (77 psi)	4,5 bar (61 psi)
	7,5		4,6 bar (63 psi)
	10	5,4 bar (79 psi)	4,7 bar (64 psi)
		5,5 bar (80 psi)	



- De maximumlengte van de toevoerslang bedraagt 10 meter.
- Wanneer het waarschuwingsfluitje bij de DAVK-0001E en DMAK-0021E geluid produceert op een bepaald moment tijdens het gebruik van de extra tool of het spuitpistool, dient u de invoerdruk te verhogen tot dit stopt. Zo wordt er verzekerd dat er voldoende lucht naar het kopstuk gevoerd wordt en dat uw veiligheid niet in het gedrang komt.

TECHNISCHE INFORMATIE

Certificatie / Goedkeuring	CE-goedgekeurd (CE 0194)
Norm / Overeenstemming	EN 14594:2005 (Licht werk - Klasse A)
Nominale beschermingsfactoren	Klasse 3 = 200 DAWK-modellen Klasse 4 = 2.000 DAVK- & DMAK-modellen
Klep: Bestand tegen chemicaliën Bestand tegen schokken	EN 166.2.F EN 166.2.B.9
Minimaal debiet volgens ontwerp van de fabrikant Maximaal debiet	260 l/min 290 l/min
Bedrijfsdruk	4,5 bar (61 psi) tot 7,0 bar (102 psi)
Maximale bedrijfstemperatuur	35°C
Koolstofpatroon	Vervangen na 1.000 uur of wanneer er een geur waargenomen wordt in het kopstuk

BESCHERMINGSFACTOREN

Een toegewezen beschermingsfactor (APF) van 40 wijst erop dat het ademhalingstoestel gebruikt kan worden in zones met een besmetting tot 40 x de blootstellingsgrens van de werkplaats.

In andere geografische gebieden dient u de nationale of regionale voorschriften of richtlijnen te raadplegen die de waarde van de beschermingsfactor, die u mag gebruiken voor de selectie van ademhalingsbescherming, wijzigen.

AIRVISOR-ADEMHALINGSBESCHERMINGSSYSTEMEN

Artikelnr.	Onderdeelnr.	Beschrijving
1013932	DAVK-0001E	Airvisor 2 Verfspuitset
1013934	DAVK-0003E	Airvisor 2 Chemische set
1013935	DAVK-0004E	Airvisor 2 Industriële set
1013938	DMAK-0021E	Airvisor 2 MV Verfspuitset
1013939	DMAK-0023E	Airvisor 2 MV Chemische set
1013980	DMAK-0024E	Airvisor 2 MV Industriële set
1013983	DAWK-4001E	Airvisor 2 Laskit uit FV-reeks
1013987	DAWK-4011E	Airvisor 2 Laskit uit W-reeks
1765058	DAVK-0001E-DAC	Airvisor 2 Dubbelwerkende aansluiting voor verfspuitset
1765059	DAVK-0003E-DAC	Airvisor 2 Dubbelwerkende aansluiting voor chemische set
1765060	DAVK-0004E-DAC	Airvisor 2 Dubbelwerkende aansluiting voor industriële set
1765061	DMAK-0021E-DAC	Airvisor 2 MV Dubbelwerkende aansluiting voor verfspuitset
1765062	DMAK-0023E-DAC	Airvisor 2 MV Dubbelwerkende aansluiting voor chemische set
1765063	DMAK-0024E-DAC	Airvisor 2 MV Dubbelwerkende aansluiting voor industriële set
1765064	DAWK-4001E-DAC	Airvisor 2 Dubbelwerkende aansluiting voor laskit van FV-reeks
1765065	DAWK-4011E-DAC	Airvisor 2 Dubbelwerkende aansluiting voor laskit van W-reeks

Reservekopstukken (volledig):

1013936	DAVK-0051E	Voor gebruik met DAVK-0001/03E
1013937	DAVK-0052E	Voor gebruik met DAVK-0004E
1013981	DMAK-0071E	Voor gebruik met DMAK-0021/23E
1013982	DMAK-0072E	Voor gebruik met DMAK-0024E
1013986	DAWS-4101E	Voor gebruik met DAWK-4001E
1013988	DAWS-4201E	Voor gebruik met DAWK-4011E

Reserveriemmen (volledig):

1013989	DAVV-1001E	Voor gebruik met DAVK-0001E en DMAK-0021E
1013990	DAVV-1003E	Voor gebruik met DAVK-0003/04E en DMAK-0023/24E en DAWK-4001/11E
1765066	DAVV-1001E-DAC	Voor gebruik met DAVK-0001E-DAC en DMAK-0021E-DAC
1765067	DAVV-1003E-DAC	Voor gebruik met DAVK-0003/04E-DAC en DMAK-0023/24E-DAC en DAWK-4001/11E-DAC

Reserveonderdelen en accessoires (zoals weergegeven op producttekeningen):

Nr.	Artikelnr.	Beschrijving
1	1028821	Bovenstuk en hoofdband voor Airvisor 2 DAVK-modellen
2	1028822	Bovenstuk en hoofdband voor Airvisor 2 MV DMAK-modellen
3	1028823	Hoofdbandgeheel voor Airvisor 2 Laskit van FV-reeks
4	1028824	Bovenstuk en hoofdband voor Airvisor 2 Laskit van W-reeks
5	1028825	Airvisor 2 Geheel van luchttoevoerleiding en verdeler voor alle modellen
6	1028826	Klep van acetaat (bestand tegen chemicaliën) voor gebruik met DAVK-0001/03E
6	1028827	Klep van polycarbonaat (bestand tegen schokken) voor gebruik met DAVK-0004E
7	1001775	Klep van acetaat (bestand tegen chemicaliën) voor gebruik met DMAK-0021/23E (pakket van 5)
7	1001774	Klep van polycarbonaat (bestand tegen schokken) voor gebruik met DMAK-0024E (pakket van 5)
	1028870	Klepafdichtingsstroken voor gebruik met items 7 (pakket van 10)
8	1028828	Binnenklep van polycarbonaat (bestand tegen schokken) voor gebruik met DAWK-4001E
9	1001732	Wegwerpbaar klepdeksels voor gebruik met alle DAVK-modellen (pakket van 10)
9	1001731	Wegwerpbaar klepdeksels voor gebruik met alle DAVK-modellen (pakket van 50)
10	1001778	Wegwerpbaar klepdeksels voor gebruik met alle DMAK-modellen (pakket van 10)
10	1001779	Wegwerpbaar klepdeksels voor gebruik met alle DMAK-modellen (pakket van 50)
11	1001749	Wegwerpbaar klepdeksels voor gebruik met DAWK-4001E (pakket van 10)
12	1013994	Stoffen afdichtingshouder voor gezicht voor DMAK-modellen (pakket van 5)
13	1001748	Stoffen afdichtingsgeheel voor gezicht voor DAWK-4001E
14	1013994	Stoffen afdichtingshouder voor gezicht voor DAWK-4011E (pakket van 5)
15	1001750	Lasschelp voor DAWK-4001E
16	1005103	Lasschelp voor DAWK-4011E
17	1001725	Kleine aansluiting voor snelle vrijgave aan een hoog debiet
18	1028829	Airvisor 2 Regelaargeheel voor alle niet-DAC-modellen
18	1765068	Airvisor 2 Regelaargeheel voor alle DAC-modellen
19	1001672	Koolstofpatroon voor alle modellen
20	1001674	Riembehuizing en stoffen riem
21	1028830	Airvisor 2 (niet-DAC) Speciaal contact voor snelle vrijgave aan een hoog debiet
21	1765069	Airvisor 2 (DAC) Speciaal dubbelhandig contact voor snelle vrijgave aan een hoog debiet
22	1028831	Airvisor 2 Aansluiting voor snelle vrijgave aan een hoog debiet
23	1001726	Blueline Luchttoevoerslang van 3,5 m (voor niet-DAC Airvisor 2)
23	1001727	Blueline Luchttoevoerslang van 7,5 m (voor niet-DAC Airvisor 2)
23	1004716	Blueline Luchttoevoerslang van 10 m (voor niet-DAC Airvisor 2)
23	1765070	Groene luchttoevoerslang van 3,5 m (voor DAC Airvisor 2)
23	1765071	Groene luchttoevoerslang van 7,5 m (voor DAC Airvisor 2)
23	1765072	Groene luchttoevoerslang van 10 m (voor DAC Airvisor 2)
24	1001683	Lucht slang voor spuitpistool (1,2 m) voor gebruik met DAVK-0001E en DMAK-0021E
25	1001733	Wegwerpbaar stoffen kap voor gebruik met alle DAVK- & DMAK-modellen (pakket van 5)
26	1001676	Wegwerpbaar stoffen hoofd- en nekbedekking voor gebruik met alle DAVK- & DMAK-modellen (pakket van 5)
27	1001754	Vlamvertragende hoofd- en nekbedekking voor gebruik met DAWK-4011E
28	1001738	Stoffen opslagtas voor alle modellen

BRUKERVEILEDNING FOR FRISKLUFTSMASKE OPPBEVAR FOR FREMTIDIG REFERANSE



Ikke bruk utstyret før du leser disse instruksjonene og får produktopplæring.

INSTRUKSJONER FOR BRUK OG VEDLIKEHOLD



- Trykkluft levert til Airvisor 2 produktfamilien skal være av pustbar kvalitet i samsvar med EN 12021. Honeywell anbefaler bruk av Clearflow filtersystem for å bidra med oppfyllelse av dette. Luftkvaliteten skal sjekkes regelmessig med egnet måleutstyr. Overhold følgende instruksjoner før du går inn i arbeidsområde.
- Airvisor 2 DAC (dobbeltvirkende koplinger) modeller har spesifikke dobbeltvirkende kontakter for trykklufttilførsel, noe som gir et spesielt forbindelsesformat og ekstra beskyttelse mot uventet avbrudd.

Kontroll før bruk

- Kontroller drift av varslingsfløyte for å sikre at det tilføres riktig mengde luft til respirator (se instruksjoner nedenfor).
- Inspiser alt utstyr for skader, vær spesielt oppmerksom på slangen, visirmateslangen og ansiktskanten.
- Ikke bruk respiratoren dersom ansiktskanten eller diffuseren på lufttilførselsslangen er skadet, da dette vil påvirke beskyttelsen.
- Forsikre deg at visirdekslet gir god sikt.

BRUK AV UTSTYR

- Sikre belteinne retningen rundt midjen, og juster til den sitter komfortabelt. Om nødvendig, ta på tekstilheten (25) etterfulgt av visirinne retningen.
- Hold visiret (6, 7, 8) hevet og justere issestroppen og hodebåndet slik at de sitter godt.
- Koble enden av lufttilførselsslangen for visiret (5) inn i miniatyr-High Flow-hurtigkoblingskontakten (17).
- Velg en luftslange med passende lengde (23) opp til maksimalt 10 meter og koble High Flow-hurtigkoblingskontakten på slangen til luftinntaket (21) på belteinne retningen.
- Koble den andre enden til filtrert lufttilførsel.



Når du bruker Airvisor 2 DAC-modeller, skal du bruke den grønne lufttilførselsslangen. Bruk blå slanger til standard Airvisor 2-modeller.

Kople luftdrevne verktøy (24) om nødvendig, til luftuttaket (22) på belteinne retningen.

Slå på lufttilførselen og juster trykket for å gi mellom 4,5 bar (61 psi) og 7 bar (102 psi) ved inntaket til belteinne retningen (se tabellen for lufttrykk på tilførselen). Sørg for at det ikke er noen luftlekkasjer. Hvis varselfløyten høres, kan du øke trykket til den stopper. I tilfelle fløyten ikke stopper når trykket økes, steng av lufttilførselen og start på nytt etter å ha justert trykket.

Vær oppmerksom på at Airvisor 2 og Airvisor 2 MV-utstyr som brukes i forbindelse med verktøy som drives av hjelpefluten, eller spraypistol, krever høyere inntakstrykk (så det må utføres en ekstra kontroll). Ved arbeid på denne måten må verktøyet brukes før du tar i bruk friskluftsmasken - hvis varslingsfløyten høres under disse forholdene, skal du øke trykket inn til den stopper. Dette sikrer at det er tilstrekkelig med luft for både friskluftvisiret og hjelpeverktøyet eller spraypistolen.

Senk visiret, gjør de justeringer som er nødvendige for issestroppen og pannebåndet, for å sikre optimal passform for ansiktets kantene rundt ansiktet. Se etter eventuelle åpenbare synlige åpninger mellom huden og ansiktskanten. Hvis det oppdages hull, juster enheten til den er tett. Du er nå klar til for å gå inn i det forurensede området. Vær oppmerksom på: at hvis varslingsfløyten høres under normale arbeidsforhold, er dette en indikasjon på at det ikke strømmer tilstrekkelig med luft til friskluftvisiret - forlat det forurensede området umiddelbart, og fjern deretter visiret - øk trykket til et passende nivå.

Utskifting av lufttilførselsslangen og diffuserinne retningen (Alle modeller):

- Hvis lufttilførselsslangen (5) er slitt eller skadet, må den byttes ut for å unngå lekkasjer.
- Løsne slangen fra festepunktene (lagt inn i hakk på baksiden av hodedecket og er montert på to klare holdeplugg) og trekk diffuseren fra den sentralt monterte, buede holderen etter fjerning av hetten.
- Monter den nye inne retningen ved forsiktig mating av skumdiffuseren inn i den buede holderen og klikk hetten tilbake på plass.
- Fest lufttilførselsslangen til visiret / rammen ved å bruke de to festeknaggene, og pass på å legge slangen inn i hakkene i hodedecket.

Utskifting av engangsvisirdeksel (Alle modeller):

- Finn visirdekslet (9/10/11) over metallstiftene på hver side av visiret.

Utskifting av visiret (DAVK-000*E og DAWK-4001E modeller):

- Løsne visirlufttilførselsslangen (5) fra bryrnetet.
- Trykk på toppen av visiret (6) fast innover fra utsiden med tommel og pekefinger, i mens du holder bryrnetet.
- Hekt av nøkkelhullspor for visiret, fra de blå bryrverknagget som er plassert på hver side.
- Hvis visirlufttilførselsslangen skal gjenbrukes, løsne slangen fra innsiden av visiret ved å trekke ut de to klare holdetappene, ellers kasseres både visir og slange.
- Får å montere igjen, mat lufttilførselsslangens hurtigkoblingskontakt oppover gjennom hullet i visirskummet.
- Monter visirlufttilførselsslangen til visiret med de to klare holdetappene og den sentralt monterte, buede holderen.
- Flytt blå bryrverknagget inn i nøkkelhullsporene på toppen av visiret og trykk hardt, vri mot bryrnetet og klikk i posisjon.

Utskifting av ansiktskant-kassett (DMAK-002*E og DAWK-4011E-modeller):

- Legg luftvisiret opp ned på armen og hold den støpte rammen.
- Med hendene fri holder du bunnen av ansiktskant-kassetten, og trekker bort fra visiret i en rask bevegelse.
- Sett skiftetekassetten (12, 14) under visiret.
- Begynn i den ene enden og jobb deg rundt rammen, og klikk kassetten fast på visirrammen. For stoffdelene skal du passe på at de frie endene passerer på innsiden av pannebåndet, og brett deretter ned på utsiden av hodebåndet, feste tilbake på seg selv ved hjelp av trykknapper - hvis du er i tvil, se næværende konfigurasjonen før demontering.
- Kassetten skal skiftes når det er tegn på skade eller oppbygging av støv eller skitt.

Utskifting av visiret (DMAK-002*E og DAWK-4011E-modeller):

- Kontroller skumtetningslister for skade, og skift ut om nødvendig.
- Fjern visiret ved å trykke på det fra innsiden.
- Plasser visirsiddefanen i sporet rundt visiret, som sikrer at den øverste kanten ligger i bryrnvernspreet.
- Mat visiret (7) rundt krumningen rundt visiret og plasser til slutt de nedre tappene inn i hakenvernspreet.

Utskifting / montering av sveisefilter (kun sveisesett)

DAWK-4001E:

- Skru ut skruene på linseklemmen på innsiden av masken
- Fjern deksler og filter
- Sett inn nytt filter
- Sett tilbake klemmene og skru fast skruene

DAWK-4011E:

Når det gjelder sveisesett i W-serien, kan glasset skrues av fra utsiden av sveisemasken når man har fjernet det lyseblå ytre dekselet. Det fargede glasset holdes på plass med klips.

Utskifting av karbonbeholder:



Karbonpatronen (19) skal skiftes ut hvis det merkes lukt, eller etter 1000 timers bruk (maksimalt).

- Løsne beltet fra lufttilførselen, fjern alle tilkoblede slanger og fjern de tre festeskruene.
- Vipp forover og fjern regulatormontasjen og snu beltet å fjerne karbonkassetten.
- Monter O-ringene i toppen og bunnen av den nye kassetten.
- Sett den inn i huset og flytt den svarte knasten på regulatorinnretningen inn i sporet på den nedre halvdel av huset til beltet.
- Monter skruene og lufttilførselen igjen.
- Sjekk for luftlekkasjer.



Ved montering av byttedeler, skal du bare bruke Honeywell-deler for å opprettholde optimal beskyttelse.

RENGJØRING OG DESINFISERING ETTER HVER BRUK

- Fjern støv og smuss fra apparatet med en klut fuktet med et mildt desinfeksjonsmiddel eller flytende såpe.
- Ikke senk apparatet ned i vann.
- Ikke bruk løsemiddel eller et ufortynnet rengjøringsmiddel som kan skade apparatet.
- Ikke bruk et slipende rengjøringsmiddel med slipemiddel som kan skade overflaten av apparatet eller lage riper i visiret.
- La det tørke helt på et godt ventilert sted, vekk fra direkte sollys og kilder til høy temperatur eller strålevarme.
- Plasser enheten i oppbevaringsvesken (28) etter rengjøring og desinfeksjon.



- Trykkluft som tilføres Airvisor 2-produktfamilien skal være av pustbar kvalitet i samsvar med EN 12021.
- Sørg for at fuktinnholdet, i luft som skal pustes inn, holdes innenfor de rammene som er fastsatt i EN 12021, for å unngå at luften fryser apparatet ved lave temperaturer.
- Spesielle hensyn må tas for å sikre at apparatet ikke er koblet til alternative luftlinjesystemer på arbeidsplasser som leverer andre gasser enn pusteluft.
- Apparatet skal ikke være koblet til en oksygentilførsel eller oksygenrik luft.
- Der hvor flere enn en bruker er koblet til det medfølgende lufttilførselssystemet, forsikre at systemet har tilstrekkelig kapasitet til å forsyne hver av brukerne.
- Bruk av Honeywell BlueLine luftslange (standard Airvisor 2), eller grønn slange (Airvisor 2 DAC) og High Flow-koblinger, er en integral del av godkjenningen, ikke bruk noen annen type slange, og heller ikke tilpass slangene som er angitt for bruk med apparatet ditt.
- Den maksimale lengden for tilførselsslanger til klasse A-enheter er 10 meter, for å bestå av en sammenhengende slange. Kortere slanger skal ikke kobles sammen for å oppnå den maksimale lengden.
- Maksimalt (nominelt) arbeidstrykk for Honeywell trykkluftslanger, er 10 bar.
- Ikke egnet for bruk i områder som har en omgivelsestemperatur over 35 °C, pass på og ikke la utstyret ligge i sprayboden når den er konvertert til tørkeovn.
- Skal ikke brukes i situasjoner hvor brukeren ville lide uopprettelig skade hvis han er ubeskyttet, og heller ikke i oksygenfattige miljøer.
- Ved svært hardt arbeid kan trykket inne i hjelmen bli negativt ved topp innåndingsstrømning.
- Når du er i et forurenset område, sikre at visiret er låst i senket stilling og trekk deg umiddelbart ut fra fareområdet hvis du mistenker en feil eller hvis varslingsfløyten lyder.
- Beskyttelse mot smeltet metall gis bare når det brukes engangsvisirdeskel.
- Der det er hensiktsmessig, indikerer merkingen F1 at apparatet og slangen for trykkluft kan anvendes i situasjoner hvor det kan være fare for antenning.
- Apparatet gir ikke tilstrekkelig beskyttelse i visse svært giftige atmosfærer. Det er brukerens ansvar å sikre at apparatet er egnet for det arbeidet som skal gjennomføres, og at det passer for den enkelte brukeren. Se lokal lovgivning for veiledning.

Minimumstrykk ved inntaket for trykklufttilførselsslangen:			
		Tilførselstrykk i bar (psi)	
Tilførselsslangehull (mm)	Slangelengde (m)	DAVK-0001E DMAK-0021E	DAVK-0003E, 0004E DMAK-0023E, 0024E DAWK-4001E, 4011E
8	3,5	5,3 bar (77 psi)	4,5 bar (61 psi)
	7,5		4,6 bar (63 psi)
	10	5,4 bar (79 psi)	4,7 bar (64 psi)
		5,5 bar (80 psi)	



- **Maksimum lengde på tilførselsslangen 10 meter.**
- **For DAVK-0001E og DMAK-0021E hvis varselsfløyten lyder under bruk av hjelpeverktøy eller spraypistol, øk inntakstrykket til den stopper. Dette sikrer at tilstrekkelig luft når hodestykket og at sikkerheten opprettholdes.**

TEKNISKE INFORMASJONER

Sertifisering / Godkjenning	CE godkjent (CE 0194)
Standard / Overholdelse	EN 14594:2005 (Light Duty Class A)
Nominelle beskyttelsesfaktorer	Klasse 3 = 200 DAWK-modeller Klasse 4 = 2000 DAVK & DMAK-modeller
Visir: Kjemisk resistent Støtmotstand	EN 166.2.F EN 166.2.B.9
Produsentens oppgitte minste gjennomstrømningshastighet Maksimum gjennomstrømningsrate	260 l/min 290 l/min
Arbeidstrykk	4,5 bar (61 psi) til 7,0 bar (102 psi)
Maksimal arbeidstemperatur	35°C
Karbonkassett	Skift ut etter 1000 timer, eller Hvis det merkes lukt inne i hjelmen

BESKYTTELSESAKTORER

En Assigned Protection Factor (APF) på 40 innebærer at respiratoren kan brukes i områder med forurensning på opptil 40 X arbeidsplassens grenseverdier.

I andre geografiske områder, henvises det til nasjonale eller regionale forskrifter eller retningslinjer som modifierer verdien av den beskyttelsesfaktoren du har lov til å bruke når du skal velge åndedrettsvern.

VISIRFRISLUFTSYSTEMER

Artikkel nr.	Delnr.	Beskrivelse
1013932	DAVK-0001E	Airvisor 2 sprøytemalingssett
1013934	DAVK-0003E	Airvisor 2 Kjemisk sett
1013935	DAVK-0004E	Airvisor 2 Industri sett
1013938	DMAK-0021E	Airvisor 2 MV sprøytemalingssett
1013939	DMAK-0023E	Airvisor 2 MV Kjemisk sett
1013980	DMAK-0024E	Airvisor 2 MV Industri sett
1013983	DAWK-4001E	Airvisor 2 FV-serie sveisesett
1013987	DAWK-4011E	Airvisor 2 W-serie sveisesett
1765058	DAVK-0001E-DAC	Airvisor 2 Sprøytelakkeringssett dobbeltvirkende kontakt
1765059	DAVK-0003E-DAC	Airvisor 2 Kjemisk sett dobbeltvirkende kontakt
1765060	DAVK-0004E-DAC	Airvisor 2 Industri sett dobbeltvirkende kontakt
1765061	DMAK-0021E-DAC	Airvisor 2 MV Sprøytelakkeringssett dobbeltvirkende kontakt
1765062	DMAK-0023E-DAC	Airvisor 2 MV Kjemisk sett dobbeltvirkende kontakt
1765063	DMAK-0024E-DAC	Airvisor 2 MV Industri sett dobbeltvirkende kontakt
1765064	DAWK-4001E-DAC	Airvisor 2 FV-serie sveisesett dobbeltvirkende kontakt
1765065	DAWK-4011E-DAC	Airvisor 2 W-serie sveisesett dobbeltvirkende kontakt

Reservehjelmer (komplett):

1013936	DAVK-0051E	For bruk med DAVK-0001/03E
1013937	DAVK-0052E	For bruk med DAVK-0004E
1013981	DMAK-0071E	For bruk med DMAK-0021/23E
1013982	DMAK-0072E	For bruk med DMAK-0024E
1013986	DAWS-4101E	For bruk med DAWK-4001E
1013988	DAWS-4201E	For bruk med DAWK-4011E

Reservebelter (komplett):

1013989	DAVW-1001E	For bruk med DAVK-0001E og DMAK-0021E
1013990	DAVW-1003E	For bruk med DAVK-0003/04E og DMAK-0023/24E og DAWK-4001/11E
1765066	DAVW-1001E-DAC	For bruk med DAVK-0001E-DAC og DMAK-0021E-DAC
1765067	DAVW-1003E-DAC	For bruk med DAVK-0003/04E-DAC og DMAK-0023/24E-DAC og DAWK-4001/11E-DAC

Reserveledere og tilbehør (som vist på produkttegninger):

Nr.	Artikkel nr.	Beskrivelse
1	1028821	Brynvern og pannebånd for Airvisor 2 DAVK-modeller
2	1028822	Brynvern og pannebånd for Airvisor 2 MV DMAK-modeller
3	1028823	Pannebånd for Airvisor 2 FV-serie sveisesett
4	1028824	Brynvern og pannebånd for Airvisor 2 W-serie sveisesett
5	1028825	Airvisor 2 lufttilførselsslange og diffusermontasje for alle modeller
6	1028826	Acetatvisir (kjemisk resistente) for bruk med DAVK-0001/03E
6	1028827	Polykarbonatvisir (slagfast) for bruk med DAVK-0004E
7	1001775	Acetatvisir (kjemisk resistente) for bruk med DMAK-0021/23E (5-pakning)
7	1001774	Polykarbonatvisir (slagfast) for bruk med DMAK-0024E (5-pakning)
	1028870	Visirtetningslister for bruk med artikkel 7 (10-pakning)
8	1028828	Innervisir i polykarbonat (støtsikkert) for bruk med DAWK-4001E
9	1001732	Engangsvisirdeksler for bruk med alle DAVK-modeller (10-pakning)
9	1001731	Engangsvisirdeksler for bruk med alle DAVK-modeller (50-pakning)
10	1001778	Engangsvisirdeksler bruk med alle DMAK-modeller (10-pakning)
10	1001779	Engangsvisirdeksler for bruk med alle DMAK-modeller (50-pakning)
11	1001749	Engangsvisirdeksler for bruk med DAVK-4001E (10-pakning)
12	1013994	Tøy ansiktspakningskassett for DMAK-modeller (5-pakning)
13	1001748	Tøy ansiktspakningssett for DAWK-4001E
14	1013994	Tøy ansiktspakningskassett for DAWK-4011E (5-pakning)
15	1001750	Sveisemaske for DAWK-4001E
16	1005103	Sveisemaske for DAWK-4011E
17	1001725	Mini-High Flow-hurtigkoblingskontakt
18	1028829	Airvisor 2 Regulatorinnretning for alle ikke-DAC-modeller
18	1765068	Airvisor 2 Regulatorinnretning for alle DAC-modeller
19	1001672	Karbonkassett for alle modeller
20	1001674	Beltehylse og tekstilbelte
21	1028830	Airvisor 2 (ikke-DAC) Spesial High Flow-hurtigkoblingskontakt
21	1765069	Airvisor 2 (DAC) Spesial High Flow-hurtigkoblings tohåndskontakt
22	1028831	Airvisor 2 High Flow-hurtigkoblingskontakt
23	1001726	BlueLine lufttilførselsslange 3,5 m (for ikke-DAC Airvisor 2)
23	1001727	BlueLine lufttilførselsslange 7,5 m (for ikke-DAC Airvisor 2)
23	1004716	BlueLine lufttilførselsslange 10 m (for ikke-DAC Airvisor 2)
23	1765070	Green Air lufttilførselsslange 3,5 m (for DAC Airvisor 2)
23	1765071	Green Air lufttilførselsslange 7,5 m (for DAC Airvisor 2)
23	1765072	Green Air lufttilførselsslange 10 m (for DAC Airvisor 2)
24	1001683	Spraypistol luftslange (1,2 m) for bruk med DAVK-0001E og DMAK-0021E
25	1001733	Engangstekstilhette for bruk med alle DAVK & DMAK-modeller (5-pakning)
26	1001676	Engangstekstilhette og halsdekke for bruk med alle DAVK & DMAK-modeller (5-pakning)
27	1001754	Flammehemmende hode- og nakkebeskyttelse for bruk med DAWK-4011E
28	1001738	Oppbevaringsveske i tekstil for alle modeller

INSTRUKCJA DLA UŻYTKOWNIKÓW RESPIRATORA ZASILANEGO POWIETRZEM ZACHOWAĆ DO WGLĄDU W PRZYSZŁOŚCI



Przed rozpoczęciem korzystania z urządzenia należy zapoznać się z niniejszą instrukcją oraz odbyć szkolenie związane z tym urządzeniem.

INSTRUKCJA UŻYTKOWANIA I KONSERWACJI



- Sprężone powietrze, jakie jest doprowadzane do urządzeń serii Airvisor 2, musi mieć jakość umożliwiającą oddychanie tym powietrzem, zgodnie z normą EN 12021. W celu zapewnienia zgodności powietrza z tą normą, firma Honeywell zaleca stosowanie systemów filtracyjnych Clearflow. Co pewien czas należy sprawdzać jakość powietrza, korzystając z odpowiednich urządzeń badawczych. Przed wejściem do obszaru roboczego wymaga się spełnienia wytycznych określonych w niniejszej instrukcji.
- W ramach urządzeń Airvisor 2 DAC (ze złączami podwójnego działania) przewidziane są specjalne przyłącza sprężonego powietrza o podwójnym działaniu, które umożliwiają podłączenie powietrza w określony sposób i zapewniają dodatkową ochronę przez nieoczekiwanym rozłączeniem.

KONTROLA PRZED UŻYCIEM

- Sprawdzić działanie gwizdka ostrzegawczego, aby upewnić się, że do respiratora jest doprowadzana właściwa ilość powietrza (patrz wskazówki zamieszczone poniżej).
 - Sprawdzić całe urządzenie pod kątem uszkodzeń, zwracając szczególną uwagę na wąż, rurkę doprowadzającą powietrze do osłony twarzy oraz fartuch zabezpieczający twarz.
- Nie należy korzystać z urządzenia w przypadku, gdy doszło do uszkodzenia fartucha zabezpieczającego twarz lub dyfuzora dołożonego na rurce doprowadzającej powietrze, ponieważ będzie to niebezpieczne.
- Upewnić się, że pokrywy osłony twarzy zapewniają dobrą widoczność.

ZAKŁADANIE URZĄDZENIA

- Założyć pasek na talii i wyregulować go tak, aby nie odczuwać dyskomfortu. W razie potrzeby założyć kaptur z materiału (25), a następnie osłonę twarzy.
- Przy podniesionej osłonie twarzy (6, 7, 8) wyregulować pasek naciągowy oraz opaskę, aby dobrze zamocować osłonę.
- Podłączyć końcówkę rury doprowadzającej powietrze do osłony twarzy (5) do szybko przepływowego, miniaturowego gniazda szybko rozłączalnego (17).
- Ustawić odpowiednią długość węża powietrznego (23) (maksymalnie 10 metrów) i podłączyć szybko przepływowe gniazdo szybko rozłączalne węża do wlotu powietrza (21) na pasku.
- Drugi koniec węża podłączyć do źródła powietrza wyposażonego w filtr.



W przypadku urządzeń Airvisor 2 DAC należy stosować zielony wąż doprowadzający powietrze. W standardowych urządzeniach Airvisor 2 należy stosować wężę niebieskie.

Jeżeli to konieczne, do wlotu powietrza (22) na pasku należy podłączyć przyrząd pneumatyczny (24).

Włączyć źródło powietrza i wyregulować jego ciśnienie przy wlocie na pasku tak, aby jego wartość mieściła się w przedziale od 4,5 bara (61 psi) do 7 barów (102 psi) (patrz tabela ciśnienia powietrza zasilania na odwrocie). Upewnić się, że nie występują przecieki powietrza. Gdy gwizdek ostrzegawczy uaktywni się, konieczne będzie wyregulowanie ciśnienia wejściowego w taki sposób, aby gwizdek ten wyłączył się. Jeżeli podczas zwiększania ciśnienia gwizdek nie wyłączy się, konieczne będzie zamknięcie źródła powietrza i jego ponowne uruchomienie po wyregulowaniu ciśnienia.

Prosimy pamiętać, że dla urządzeń Airvisor 2 i Airvisor 2 MV, używanych razem z dodatkowym przyrządem pneumatycznym lub pistoletem natryskowym należy zapewnić wyższe ciśnienie wejściowe (a zatem konieczne jest przeprowadzenie dodatkowej kontroli). W przypadku tego rozwiązania, przyrząd należy uruchomić przed założeniem respiratora - jeżeli jednak uruchomi się gwizdek ostrzegawczy, należy zwiększyć ciśnienie wejściowe tak, aby gwizdek ten wyłączył się. W ten sposób zapewnia się wystarczającą ilość powietrza dla osłony twarzy respiratora oraz przyrządu dodatkowego, czy też pistoletu natryskowego.

Opuścić osłonę twarzy, odpowiednio regulując pasek naciągowy i opaskę w celu optymalnego dopasowania fartucha zabezpieczającego twarz. Sprawdzić, czy pomiędzy skórą a fartuchem zabezpieczającym twarz widoczne są luki. Jeżeli luki te zostaną zauważone, należy wyregulować położenie urządzenia tak, aby je zniwelować. Można teraz wejść do obszaru skażonego. Uwaga: jeżeli podczas pracy w normalnych warunkach uruchomi się gwizdek ostrzegawczy, będzie to oznaczało, że do osłony twarzy respiratora podawana jest zbyt mała ilość powietrza - opuścić natychmiast obszar skażony, zdjąć osłonę i zwiększyć odpowiednio ciśnienie wejściowe.

Wymiana rurki doprowadzającej powietrze z dyfuzorem (wszystkie modele):

- Jeżeli rurka doprowadzająca powietrze (5) jest zużyta lub uszkodzona, należy ją wymienić, aby uniknąć przecieków powietrza.
- Odczepić rurkę od miejsc, w których jest ona zamocowana (włożona w wycięcie z tyłu hełmu i zamocowana na dwóch widocznych kołkach ustalających) i wyciągnąć dyfuzor z zakrzywionego uchwyty położonego na środku, wyciągając wcześniej zaślepkę.
- Założyć nową rurkę wraz z dyfuzorem, umieszczając ostrożnie piankowy dyfuzor w zakrzywionym uchwycie oraz zakładając ponownie zaślepkę.
- Podłączyć rurkę do osłony twarzy / ramki za pomocą dwóch kołków ustalających, pamiętając, aby włożyć ją w wycięcie wykonane w hełmie.

Wymiana jednorazowych pokryw osłony twarzy (wszystkie modele):

- Znaleźć pokrywę (9/10/11), zamocowaną na metalowych kołkach, na jednej stronie osłony twarzy.

Wymiana osłony twarzy (modele DAVK-000*E i DAWK-4001E):

- Odłączyć rurkę doprowadzającą powietrze do osłony twarzy (5) od osłony czoła.
- Przytrzymując osłonę czoła, wcisnąć mocno (od zewnątrz) kciukiem i palcem wskazującym górną część osłony (6).
- Wyciągnąć niebieskie kołki osłony czoła z otworów wykonanych po jednej stronie osłony twarzy.
- Jeżeli rurka doprowadzająca powietrze do osłony twarzy ma być jeszcze używana, odciąć ją od osłony wewnętrznej poprzez delikatne wyciągnięcie dwóch widocznych kołków ustalających. W przeciwnym razie osłonę i rurkę należy wyrzucić.
- Aby ponownie założyć rurkę, złącze szybko rozłączalne należy przełożyć przez otwór wykonany w piance osłony twarzy.
- Przymocować rurkę do osłony za pomocą dwóch widocznych kołków ustalających i zakrzywionego uchwytu położonego na środku.
- Włożyć niebieskie kołki osłony czoła w otwory wykonane w górnej części osłony twarzy i docisnąć mocno osłonę, obracając ją jednocześnie w stronę osłony czoła, aż zostanie ona zablokowana.

Wymiana kasety z fartuchem zabezpieczającym twarz (modele DMAK-002*E i DAWK-4011E):

- Ułożyć ostrożnie odwróconą osłonę twarzy na ramieniu i przytrzymać ramkę konstrukcyjną.
- Wolną ręką złapać dolną część kasety z fartuchem zabezpieczającym twarz i wyciągnąć ją z osłony jednym, szybkim pociągnięciem.
- Ułożyć równo nową kasetę (12, 14) pod osłoną twarzy.
- Zatrasnąć ją w ramce osłony, zaczynając od jednego końca i przechodząc wokół osłony. Upewnić się, że wolne końce elementów z materiału znajdują się w opasce, a następnie zagiąć zewnętrzną część opaski, przymocowując je do siebie za pomocą zatrzasków - w razie wątpliwości, przed demontażem, należy zobaczyć, jak elementy są obecnie złożone.
- Wymiana kasety jest konieczna zawsze, gdy pojawiają się na niej jakiegokolwiek oznaki uszkodzenia lub gdy nagromadzą się na niej kurz, bądź zabrudzenia.

Wymiana osłony twarzy (modele DMAK-002*E i DAWK-4011E):

- Sprawdzić piankowe paski uszczelniające i wymienić je w razie potrzeby.
- Wyciągnąć osłonę, wciskając ją od wewnątrz.
- Umieścić wypustkę boczną osłony w wycięciu elementu otaczającego osłonę, pamiętając, aby krawędź górna znajdowała się w rowku osłony czoła.
- Ułożyć osłonę (7) na krawędzi elementu otaczającego i na koniec włożyć dolne wypustki w szczeliny osłony podbródka.

Wymiana/montaż filtra spawalniczego (wyłącznie zestawy spawalnicze)

DAWK-4001E:

- Odkręcić śruby zacisku wizjera po wewnętrznej stronie przyłbicy spawalniczej.
- Zdemontować osłonę i filtr.
- Jeśli będzie to konieczne, wymienić filtr.
- Wymienić zacisk i śruby.

DAWK-4011E:

W przypadku zestawów spawalniczych serii W dostęp do systemu mocowania szyby można uzyskać od zewnętrznej strony przyłbicy spawalniczej, po uprzednim demontażu zewnętrznej osłony koloru jasnoniebieskiego. Zespół przyciemnianych szyb jest mocowany za pośrednictwem zestawu sprężystych zacisków.

Wymiana wkładu węglowego:



Wkład węglowy (19) należy wymienić, jeżeli czuć będzie zapach lub po 1 000 godzinach eksploatacji (maksymalnie).

- Odłączyć pasek od źródła powietrza, zdjąć wszystkie podłączone węże i wykręcić trzy śruby mocujące.
- Przechylić regulator do przodu i wyciągnąć go, a następnie odwrócić pasek, aby wyciągnąć wkład węglowy.
- Założyć uszczelki typu „O” w górnej i dolnej części nowego wkładu.
- Włożyć wkład w obudowę i wsunąć czarne ucho, które znajduje się na regulatorze, w szczelinę w dolnej części obudowy paska.
- Wkręcić śruby i podłączyć źródło powietrza.
- Sprawdzić, czy nie występują przecieki powietrza.



Aby zachować maksymalny poziom bezpieczeństwa, należy stosować części zamienne produkowane przez firmę Honeywell.

CZYSZCZENIE I DEZYNFEKCYJA PO KAŻDYM UŻYCIU

- Kurz i zabrudzenia gromadzące się na urządzeniu należy usuwać wilgotną szmatką nasączoną delikatnym środkiem odkażającym lub roztworem mydła w płynie.
- Nie zanurzać urządzenia w płynach.
- Nie stosować rozpuszczalników oraz nierozcieńczonych detergentów, które mogą doprowadzić do uszkodzenia urządzenia.
- Nie stosować ściernych środków czyszczących, które mogą doprowadzić do uszkodzenia powierzchni urządzenia lub porysowania osłony twarzy.
- Pozostawić urządzenie do wyschnięcia, umieszczając je w dobrze wentylowanym miejscu, zabezpieczonym przed bezpośrednim kontaktem z promieniami słonecznymi, z dala od źródeł emitujących duże ciepło lub ciepło promieniowania.
- Wyczyszczone i zdezynfekowane urządzenie należy umieścić w torbie (28).



- Sprężone powietrze, jakie jest doprowadzane do urządzeń serii Airvisor 2, musi mieć jakość umożliwiającą oddychanie tym powietrzem, zgodnie z normą EN 12021.
- Aby nie dopuścić do zamarznięcia urządzenia w niskich temperaturach, należy pilnować, aby zawartość wilgoci w powietrzu wykorzystywanym do oddychania mieściła się w określonych granicach, które określono w normie EN 12021.
- Należy szczególnie uważać, aby urządzenie nie zostało podłączone do alternatywnych instalacji powietrznych dostępnych w miejscu pracy, w których znajdują się gazy inne, niż powietrze o jakości umożliwiającej wykorzystywanie go do oddychania.
- Nie należy podłączać urządzenia do źródeł tlenu lub powietrza wzbogaconego w tlen.
- Jeżeli do źródła powietrza podłączona jest większa liczba użytkowników, należy upewnić się, że wydajność tego źródła jest wystarczająca.
- Urządzenie jest dopuszczone do użytku tylko wtedy, gdy wraz z nim używane są niebieski wąż powietrzny Honeywell BlueLine (standardowo w przypadku urządzenia Airvisor 2) lub wąż zielony (urządzenie Airvisor 2 DAC) oraz złącza szybko przepływowe. Nie należy korzystać z innego rodzaju węża oraz przerabiać węży przeznaczonych do danego rodzaju urządzenia.
- W przypadku urządzeń klasy A, maksymalna długość jednego odcinka węża zasilającego nie może przekraczać 10 metrów. Nie należy łączyć ze sobą krótszych węży celem uzyskania węża o takiej długości.
- Maksymalne (nominalne) ciśnienie robocze, określone dla węża firmy Honeywell, używanych do doprowadzania sprężonego powietrza, wynosi 10 barów.
- Z urządzenia nie można korzystać w miejscach, w których panują temperatury wyższe, niż 35°C. Należy pamiętać, aby nie pozostawiać urządzenia w komorze natryskowej, w której ma zostać włączona funkcja suszenia.
- Nie należy korzystać z urządzenia w przypadku, gdy istnieje ryzyko nieodwracalnego uszkodzenia zdrowia użytkownika na skutek braku odpowiedniego zabezpieczenia, a także w miejscach, w których występują niedobory tlenu.
- W przypadku bardzo intensywnego korzystania z urządzenia, gdy osiągnięty zostanie szczytowy poziom przepływu wdychanego powietrza, ciśnienie wewnątrz helmu może spaść poniżej wartości dodatnich.
- Przebywając w obszarze skażonym należy pamiętać o konieczności opuszczenia osłony twarzy. W przypadku podejrzenia, że osłona nie działa prawidłowo lub gdy włączy się gwizdek ostrzegawczy należy natychmiast opuścić obszar skażony.
- Zabezpieczenie przed stopionym metalem jest dostępne tylko wtedy, gdy używane są jednorazowe pokrywy osłony twarzy.
- W stosownych przypadkach, oznaczenie F1 wskazuje, że urządzenie i przewód doprowadzający sprężone powietrze można stosować w sytuacjach, gdzie występuje zagrożenie z powodu materiałów łatwopalnych.
- Urządzenie może nie zapewniać odpowiedniego zabezpieczenia w pewnych miejscach charakteryzujących się dużym stężeniem substancji toksycznych. Użytkownik urządzenia jest odpowiedzialny za sprawdzenie, czy z urządzenia tego można skorzystać w przypadku danego zadania oraz czy jest ono dla niego odpowiednie. Prosimy zapoznać się z wytycznymi określonymi w lokalnych przepisach.

Minimalne ciśnienie doprowadzanego powietrza na wlocie węża zasilającego:

		Ciśnienie powietrza w barach (psi)	
Średnica węża zasilającego (mm)	Długość węża (m)	DAVK-0001E	DAVK-0003E, 0004E
		DMAK-0021E	DMAK-0023E, 0024E DAWK-4001E, 4011E
8	3,5	5,3 bara	4,5 bara (61 psi)
	7,5	(77 psi)	4,6 bara (63 psi)
	10	5,4 bara (79 psi)	4,7 bara (64 psi)
		5,5 bara (80 psi)	



- Maksymalna długość węża zasilającego: 10 metrów.
- W przypadku urządzeń DAVK-0001E i DMAK-0021E, gdy podczas pracy z dodatkowym przyrządem lub pistoletem natryskowym włączy się gwizdek ostrzegawczy, należy zwiększyć ciśnienie wejściowe tak, aby gwizdek ten wyłączył się. W ten sposób zapewnia się odpowiednią ilość powietrza doprowadzanego do helmu oraz bezpieczeństwo na niezmiennym poziomie.

DANE TECHNICZNE

Certyfikat / aprobaty	Certyfikat CE (CE 0194)
Norma / zgodność	EN 14594:2005 (urządzenia klasy A do zastosowań lekkich)
Nominalne czynniki wpływające na bezpieczeństwo	Klasa 3 = 200 modele DAWK Klasa 4 = 2 000, modele DAVK i DMAK
Ochrona twarzy: Odporna na działanie substancji chemicznych Odporna na uderzenia	EN 166.2.F EN 166.2.B.9
Minimalne natężenie przepływu, określone przez producenta Maksymalne natężenie przepływu	260 l/min. 290 l/min.
Ciśnienie robocze	4,5 bara (61 psi) do 7,0 barów (102 psi)
Maksymalna temperatura robocza	35°C
Wkład węglowy	Wymienić po 1 000 godzinach lub gdy w hełmie pojawi się zapach

WSPÓŁCZYNNIKI OCHRONY

Przydzielony współczynnik ochrony (APF) - 40 oznacza, że z respiratora można korzystać w miejscach, których poziom skażenia jest równy 40-krotności limitu ekspozycji obowiązującego w miejscu pracy.

W przypadku innych rejonów geograficznych prosimy zapoznać się z przepisami lub wytycznymi krajowymi, bądź regionalnymi, w których podana jest inna wartość współczynnika ochrony, którą należy uwzględnić podczas wybierania respiratora.

RESPIRATORY AIRVISOR

Nr artykułu	Nr części	Opis
1013932	DAVK-0001E	Zestaw natryskowy do farb Airvisor 2
1013934	DAVK-0003E	Zestaw do substancji chemicznych Airvisor 2
1013935	DAVK-0004E	Zestaw przemysłowy Airvisor 2
1013938	DMAK-0021E	Zestaw natryskowy do farb Airvisor 2 MV
1013939	DMAK-0023E	Zestaw do substancji chemicznych Airvisor 2 MV
1013980	DMAK-0024E	Zestaw przemysłowy Airvisor 2 MV
1013983	DAWK-4001E	Zestaw spawalniczy Airvisor 2 serii FV
1013987	DAWK-4011E	Zestaw spawalniczy Airvisor 2 serii W
1765058	DAVK-0001E-DAC	Zestaw natryskowy do farb Airvisor 2 ze złączem podwójnego działania
1765059	DAVK-0003E-DAC	Zestaw do substancji chemicznych Airvisor 2 ze złączem podwójnego działania
1765060	DAVK-0004E-DAC	Zestaw przemysłowy Airvisor 2 ze złączem podwójnego działania
1765061	DMAK-0021E-DAC	Zestaw natryskowy do farb Airvisor 2 MV ze złączem podwójnego działania
1765062	DMAK-0023E-DAC	Zestaw do substancji chemicznych Airvisor 2 MV ze złączem podwójnego działania
1765063	DMAK-0024E-DAC	Zestaw przemysłowy Airvisor 2 MV ze złączem podwójnego działania
1765064	DAWK-4001E-DAC	Zestaw spawalniczy Airvisor 2 serii FV ze złączem podwójnego działania
1765065	DAWK-4011E-DAC	Zestaw spawalniczy Airvisor 2 serii W ze złączem podwójnego działania

Hełmy zapasowe (kompletne):

1013936	DAVK-0051E	Do urządzeń DAVK-0001/03E
1013937	DAVK-0052E	Do urządzeń DAVK-0004E
1013981	DMAK-0071E	Do urządzeń DMAK-0021/23E
1013982	DMAK-0072E	Do urządzeń DMAK-0024E
1013986	DAWS-4101E	Do urządzeń DAWK-4001E
1013988	DAWS-4201E	Do urządzeń DAWK-4011E

Paski zapasowe (kompletne):

1013989	DAVW-1001E	Do urządzeń DAVK-0001E i DMAK-0021E
1013990	DAVW-1003E	Do urządzeń DAVK-0003/04E, DMAK-0023/24E i DAWK-4001/11E
1765066	DAVW-1001E-DAC	Do urządzeń DAVK-0001E-DAC i DMAK-0021E-DAC
1765067	DAVW-1003E-DAC	Do urządzeń DAVK-0003/04E-DAC, DMAK-0023/24E-DAC i DAWK-4001/11E-DAC

Akcesoria i części zapasowe (widoczne na rysunkach urządzenia):

Nr	Nr artykułu	Opis
1	1028821	Oslona czola i opaska do urzadzzen Airvisor 2 DAVK
2	1028822	Oslona czola i opaska do urzadzzen Airvisor 2 MV DAVK
3	1028823	Opaska do zestawow spawalniczych Airvisor 2 serii FV
4	1028824	Oslona czola i opaska do zestawow spawalniczych Airvisor 2 serii W
5	1028825	Rurka doprowadzajaca powietrze z dyfuzorem Airvisor 2 do wszystkich modeli urzadzzen
6	1028826	Oslona twarzy z wlokna octanowego (odporna na substancje chemiczne), do urzadzenia DAVK-0001/03E
6	1028827	Oslona twarzy z poliweglanu (odporna na uderzenia), do urzadzenia DAVK-0004E
7	1001775	Oslona twarzy z wlokna octanowego (odporna na substancje chemiczne), do urzadzenia DMAK-0021/23E (zestaw 5 szt.)
7	1001774	Oslona twarzy z poliweglanu (odporna na uderzenia), do urzadzenia DMAK-0024E (zestaw 5 szt.)
	1028870	Paski uszczelniajace do oslony twarzy, do stosowania z artykulami oznaczonymi numerem 7 (zestaw 10 szt.)
8	1028828	Wewnetrzna oslona twarzy z poliweglanu (odporna na uderzenia) do urzadzenia DAWK-4001E
9	1001732	Jednorazowe pokryw oslony twarzy do wszystkich modeli DAVK (zestaw 10 szt.)
9	1001731	Jednorazowe pokryw oslony twarzy do wszystkich modeli DAVK (zestaw 50 szt.)
10	1001778	Jednorazowe pokryw oslony twarzy do wszystkich modeli DMAK (zestaw 10 szt.)
10	1001779	Jednorazowe pokryw oslony twarzy do wszystkich modeli DMAK (zestaw 50 szt.)
11	1001749	Jednorazowe pokryw oslony twarzy do urzadzenia DAWK-4001E (zestaw 10 szt.)
12	1013994	Kaseta z materialem uszczelniajacym twarz do modeli DMAK (zestaw 5 szt.)
13	1001748	Materiał uszczelniający twarz do urządzenia DAWK-4001E
14	1013994	Kaseta z materiałem uszczelniającym twarz do urządzenia DAWK-4011E (zestaw 5 szt.)
15	1001750	Przyłbica spawalnicza do urządzenia DAWK-4001E
16	1005103	Przyłbica spawalnicza do urządzenia DAWK-4011E
17	1001725	Szybko przepływowe, miniaturowe gniazdo szybko rozłączalne
18	1028829	Regulator Airvisor 2 do wszystkich modeli bez DAC (złącz oburęcznych)
18	1765068	Regulator Airvisor 2 do wszystkich modeli z DAC (złączami oburęcznymi)
19	1001672	Wkład węglowy do wszystkich modeli
20	1001674	Obudowa paska i pasek z materiału
21	1028830	Specjalna szybko przepływowa wtyczka szybko rozłączalna Airvisor 2 (bez DAC)
21	1765069	Specjalna szybko przepływowa wtyczka szybko rozłączalna Airvisor 2 (z DAC)
22	1028831	Szybko przepływowe gniazdo szybko rozłączalne Airvisor 2
23	1001726	Niebieski wąż zasilający BlueLine 3,5 m (do urządzeń Airvisor 2 bez DAC)
23	1001727	Niebieski wąż zasilający BlueLine 7,5 m (do urządzeń Airvisor 2 bez DAC)
23	1004716	Niebieski wąż zasilający BlueLine 10 m (do urządzeń Airvisor 2 bez DAC)
23	1765070	Zielony wąż zasilający Green Air 3,5 m (do urządzeń Airvisor 2 DAC)
23	1765071	Zielony wąż zasilający Green Air 7,5 m (do urządzeń Airvisor 2 DAC)
23	1765072	Zielony wąż zasilający Green Air 10 m (do urządzeń Airvisor 2 DAC)
24	1001683	Wąż powietrzny do pistoletu natryskowego (1,2 m), do urządzeń DAVK-0001E i DMAK-0021E
25	1001733	Jednorazowy kaptur z materiału do wszystkich modeli DAVK i DMAK (zestaw 5 szt.)
26	1001676	Jednorazowa osłona na głowę i szyję, z materiału, do wszystkich modeli DAVK i DMAK (zestaw 5 szt.)
27	1001754	Ogniodoporna osłona na głowę i szyję do urządzenia DAWK-4011E
28	1001738	Torba z materiału do przechowywania urządzenia (wszystkie modele)

INSTRUÇÕES DE UTILIZAÇÃO DO APARELHO RESPIRATÓRIO COM ADUÇÃO DE AR CONSERVAR PARA CONSULTA ULTERIOR



Não utilizar o equipamento antes de ler estas instruções e receber um treinamento sobre o produto.

INSTRUÇÕES DE UTILIZAÇÃO E MANUTENÇÃO



- O ar comprimido fornecido à família de produtos Airvisor 2 deve ser de qualidade respirável de acordo com a EN 12021. A Honeywell recomenda o uso dos Sistemas de Filtro Clearflow para assegurar o cumprimento das exigências. A qualidade do ar deve ser periodicamente controlada utilizando um equipamento de teste adequado. Respeitar as seguintes instruções antes de entrar na área de trabalho.
- Os modelos Airvisor 2 DAC (de acoplamento de dupla acção) oferecem conectores de dupla acção específicos para o abastecimento com ar comprimido, com um formato de conexão específico e uma protecção extra contra desconexões inesperadas.

CONTROLOS ANTES DA UTILIZAÇÃO

- Verificar o funcionamento do apito de advertência para ter certeza de que o volume de ar correcto é fornecido ao respirador (ver instruções abaixo).
- Inspeccionar todo o equipamento para detectar danos, atribuindo uma atenção particular ao tubo flexível, ao tubo de alimentação da viseira e à pala facial.
- Não utilizar o respirador se a pala facial ou o difusor do tubo de alimentação de ar estiverem deteriorados, o que afectaria a protecção.
- Certificar-se de que as coberturas da viseira oferecem uma boa visibilidade.

COLOCAÇÃO DO EQUIPAMENTO

- Posicionar o conjunto da correia de cinta em torno da cintura e ajustá-la de maneira confortável. Se necessário, colocar o capuz em tecido (25) seguido do conjunto da viseira.
- Manter a viseira (6, 7, 8) levantada e ajustar a tira da coroa e a banda da cabeça para que se adaptem firmemente.
- Inserir a extremidade do tubo de alimentação de ar (5) da viseira no soquete miniatura (17) de desengate rápido Alto Fluxo.
- Seleccionar o comprimento adequado de tubo flexível de ar (23) até um máximo de 10 metros e conectar o soquete QR de alto fluxo na entrada de ar (21) do conjunto da correia de cinta.
- Conectar a outra extremidade ao dispositivo de abastecimento com ar filtrado.



Quando utilizar Airvisor 2 de modelos DAC, utilizar o tubo flexível verde de abastecimento de ar. Utilizar tubos flexíveis azuis para os modelos Airvisor 2 standard.

Acoplar o dispositivo de ar assistido (24) se necessário, à saída de ar (22) do conjunto da correia de cinta.

Ligar o abastecimento de ar e ajustar a pressão para obter entre 4.5 bars (61 psi) e 7 bars (102 psi) na entrada do conjunto da cinta (Ver a folha da Tabela de Pressões de Abastecimento). Certificar-se da ausência de fugas de ar. Se o apito de advertência tocar, aumentar a pressão de entrada até que cesse. Se o apito não parar ao ser aumentada a pressão, fechar o abastecimento de ar e recomear depois de ter ajustado a pressão.

Notar bem que os kits Airvisor 2 e Airvisor 2 MV utilizados conjuntamente com uma ferramenta de ar comprimido auxiliar ou com uma pistola de pulverização exigem uma maior pressão de entrada (e portanto um controlo especial deve ser efectuado). Se ao trabalhar desta forma for preciso operar a ferramenta antes de usar o respirador - se o apito tocar nestas condições, aumentar a pressão de entrada até que ele pare. Isto garante que o ar seja suficiente tanto para a viseira do respirador como para a ferramenta auxiliar ou a pistola de pulverização.

Abaixar a viseira, fazendo ajustes se necessário na tira da coroa e na banda da cabeça para assegurar um ajustamento perfeito da pala em torno da face. Verifique qualquer folga visualmente detectável entre a pele e a pala facial. Se forem detectadas folgas, reajustar o dispositivo até as eliminar. Está agora pronto para entrar na área contaminada. Notar bem: se o apito de advertência tocar em condições normais de trabalho, isto indica que não existe um fluxo de ar suficiente na viseira do respirador - sair imediatamente da área contaminada, retirar então a viseira - aumentar a pressão de entrada até um nível adequado.

Substituição do conjunto tubo de abastecimento de ar e difusor (Todos os modelos):

- Se o tubo de abastecimento de ar (5) estiver gasto ou deteriorado, deverá ser substituído para evitar fugas.
- Destacar o tubo dos seus pontos de montagem (adaptado aos entalhes da parte de trás da peça da cabeça e montado em dois pinos de retenção claros) e retirar o difusor do seu suporte de montagem curvo central, depois de ter retirado a tampa.
- Instalar o novo conjunto introduzindo cuidadosamente o difusor de espuma no suporte curvo e encaixar novamente a tampa no seu lugar.
- Reinstalar o tubo de abastecimento de ar na viseira/quadro utilizando dois pinos de retenção, verificando o bom encaixe do tubo nos entalhes da peça da cabeça.

Substituição das coberturas de viseira descartáveis (Todos os modelos):

- Posicionar a cobertura de viseira (9/10/11) nos pinos metálicos de cada lado da viseira.

Substituição da viseira (modelos DAVK-000*E & DAWK-4001E):

- Desengatar o tubo de abastecimento de ar (5) da viseira da guarda frontal.
- Segurando a guarda frontal, premir firmemente o topo da viseira (6), de fora para dentro, usando o polegar e indicador.
- Desencaixar os orifícios de fixação da viseira dos pinos azuis da guarda frontal, localizados de cada lado.
- Se o tubo de abastecimento de ar vai ser reutilizado, desencaixar o tubo do interior da viseira puxando-o cuidadosamente para fora dos dois pinos de retenção claros, ou então eliminar tanto a viseira como o tubo.
- Para montar novamente, inserir o conector rápido do tubo para cima através do orifício na espuma da viseira.
- Montar o tubo de abastecimento de ar na viseira com os dois pinos de retenção claros e o suporte de montagem curvo central.
- Reinstalar os pinos azuis nos orifícios de encaixe no topo da viseira e premindo firmemente, rodar em direcção à guarda frontal e encaixar a peça na posição.

Substituição da cassete da pala facial (modelos DMAK-002*E & DAWK-4011E):

- Manter o Airvisor em posição invertida num braço e segurar o quadro moldado.
- Com a mão livre, segurar a parte de baixo da cassete da pala facial e empurrá-la para fora da viseira com um movimento rápido.
- Alinhar a cassete de substituição (12, 14) sob a viseira.
- Começando por uma das extremidades e trabalhando em torno do quadro, inserir a cassete no quadro da viseira. Para as peças em tecido, certificar-se de que as bordas livres passam para o interior da banda de cabeça, depois dobrá-las para fora da banda de cabeça, fixando-as atrás com os botões de pressão - em caso de dúvida, referir-se à configuração existente antes de proceder à desmontagem.
- A cassete deve ser substituída sempre que houver qualquer sinal de deterioração ou acumulação de poeira ou sujidades.

Substituição da viseira (modelos DMAK-002*E & DAWK-4011E):

- Verificar as tiras de vedação em espuma, substituí-las se necessário.
- Remover a viseira empurrando-a a partir do interior.
- Posicionar a orelha lateral da viseira no enquadramento desta, certificando-se de que a borda superior fique posicionada na ranhura da guarda frontal.
- Inserir a viseira (7) na parte curva do enquadramento da viseira e finalmente encaixar as orelhas inferiores nas ranhuras da guarda do queixo.

Substituição / Instalação do Filtro de Soldagem (Kits de solda unicamente)

DAWK-4001E:

- Desaparafusar os parafusos de fixação das lentes no interior da concha.
- Remover as placas de cobertura e o filtro
- Substituir o filtro se necessário
- Reinstalar a fixação e os parafusos.

DAWK-4011E:

No caso do kit de solda W-Series, o acesso ao sistema de retenção da janela faz-se a partir do lado exterior da concha de solda, depois de removida a cobertura exterior azul-claro. Os conjuntos de vidro da janela sombreada são mantidos no lugar por um sistema de clip flexível.

Substituição do cartucho de carbono:



O cartucho de carbono (19) deve ser substituído se um odor for detectado, ou após 1.000 horas de uso (máximo).


- Separar a correia de cinta do sistema de abastecimento de ar, remover todos os tubos de conexão e retirar os três parafusos de fixação.
- Incliná-la para a frente e remover o conjunto do regulador e inverter a correia de cinta para remover o cartucho de carbono.
- Instalar juntas 'O' no topo e no fundo do cartucho de substituição.
- Reinstalar no seu alojamento e reposicionar a lingueta preta do conjunto do regulador na ranhura da metade inferior do alojamento da correia de cinta.
- Reinstalar os parafusos e reconectar o abastecimento de ar.
- Verificar a ausência de fugas.



Ao substituir peças, utilizar unicamente peças originais Honeywell para manter uma óptima protecção.

LIMPEZA E DESINFECÇÃO APÓS CADA UTILIZAÇÃO

- Remover a poeira e a sujidade do aparelho utilizando um pano humedecido com um desinfectante suave ou uma solução líquida de sabão.
- Não imergir o aparelho.
- Não utilizar solvente ou detergente não diluído, que poderia deteriorar o aparelho.
- Não utilizar produtos de limpeza abrasivos que poderiam deteriorar a superfície do aparelho ou riscar a viseira.
- Deixar secar completamente num local bem ventilado longe da luz solar directa ou de fontes de alta temperatura ou calor radiante.
- Colocar o aparelho na bolsa de armazenagem (28) depois da limpeza e desinfecção.

- O ar comprimido fornecido à família de produtos Airvisor 2 deve ser de qualidade respirável de acordo com a EN 12021.
 - Certificar-se de que o teor de humidade do ar respirável foi controlado dentro dos limites estabelecidos pela EN 12021, para evitar que o ar congele o aparelho a baixas temperaturas.
 - Um cuidado especial deve ser tomado para assegurar que o aparelho não seja conectado a outros sistemas de ar existentes no local de trabalho e que forneçam outros gases diferentes do ar de qualidade respirável.
 - O aparelho não deve ser conectado a uma fonte de oxigénio ou de ar enriquecido com oxigénio.
 - Quando mais de um utilizador for conectado ao sistema de abastecimento de ar, certificar-se de que o sistema tem capacidade suficiente para abastecer cada utilizador.
 - O uso do tubo de ar Blueline da Honeywell (Airvisor 2 standard), ou do tubo verde (Airvisor 2 DAC) e os acoplamentos de Alto Fluxo faz parte integrante da aprovação, não utilizar nenhum outro tipo de tubo, nem adaptar os tubos que são especificados para o uso com o seu aparelho.
 - O comprimento máximo do tubo de abastecimento para dispositivos da Classe A é de 10 metros, compreendendo um só tubo contínuo. Não é permitido juntar tubos menores para obter o comprimento máximo.
- 
- A pressão máxima (nominal) de trabalho para os tubos de abastecimento com ar comprimido da Honeywell é de 10 bars.
 - Não adequado para utilização em áreas com uma temperatura ambiente acima de 35°C, ter cuidado para não deixar o equipamento na cabina de pulverização quando convertida em estufa de secagem.
 - Não deve ser utilizado em circunstâncias nas quais o utilizador possa sofrer danos irreversíveis se ficar desprotegido, nem em ambientes deficientes em oxigénio.
 - A taxas de utilização muito elevadas, a pressão no interior da peça da cabeça pode se tornar negativa durante os picos do fluxo de inalação.
 - Quando estiver em zonas contaminadas, certificar-se de que a viseira está bloqueada na posição baixa e sair imediatamente da área de risco se houver suspeitas de mau funcionamento ou se o apito de advertência começar a tocar.
 - A protecção contra metal em fusão só é assegurada quando são utilizadas coberturas de viseira descartáveis.
 - Quando for apropriado, a marcação F1 indica que o aparelho e o tubo de fornecimento de ar comprimido podem ser usados em situações em que a inflamabilidade pode ser um risco.
 - O aparelho pode não fornecer uma protecção adequada em certas atmosferas altamente tóxicas. É da responsabilidade do utilizador certificar-se de que o aparelho é adequado ao trabalho a ser empreendido, e adequado ao utilizador individual. Referir-se à legislação local para orientação.

Pressões mínimas de abastecimento na entrada do tubo de ar comprimido:

		Pressão de abastecimento em bars (psi)	
Diâmetro do tubo de abastecimento (mm)	Comprimento do tubo (m)	DAVK-0001E DMAK-0021E	DAVK-0003E, 0004E DMAK-0023E, 0024E DAWK-4001E, 4011E
8	3,5	5,3 bars (77 psi)	4,5 bars (61 psi)
	7,5		4,6 bars (63 psi)
	10	5,4 bars (79 psi) 5,5 bars (80 psi)	4,7 bars (64 psi)



- Comprimento máximo do tubo de abastecimento 10 metros.
- Para os DAVK-0001E e DMAK-0021E, se o apito de advertência tocar a qualquer momento durante a operação da ferramenta auxiliar ou da pistola de pulverização, aumentar a pressão de entrada até que este pare. Isto garantirá que uma quantidade de ar suficiente chegue à peça da cabeça e que a sua segurança seja mantida.

INFORMAÇÕES TÉCNICAS

Certificação / Aprovação	aprovação CE (CE 0194)
Norma / Conformidade	EN 14594:2005 (Trabalhos Leves Classe A)
Factores de protecção nominais	Classe 3 = 200 Modelos DAWK Classe 4 = 2.000 Modelos DAVK e DMAK
Viseira: resistente aos produtos químicos resistente aos impactos	EN 166.2.F EN 166.2.B.9
Taxa de fluxo mínima designada pelo fabricante Taxa de fluxo máxima	260 l/min 290 l/min
Pressão de operação	4,5 bars (61 psi) a 7,0 bars (102 psi)
Temperatura máxima de operação	35°C
Cartucho de carbono	Substituir a cada 1.000 horas ou Se odores forem detectados na peça da cabeça

FACTORES DE PROTECÇÃO

Um factor de protecção atribuído (APF) de 40 significa que o respirador pode ser usado em áreas de contaminação de até 40 X o Limite de Exposição no local de trabalho.

Em outras áreas geográficas, queira se referir aos regulamentos ou directivas nacionais ou regionais que modificam o valor do factor de protecção que lhe é autorizado na selecção da protecção respiratória.

SISTEMAS RESPIRATÓRIOS AIRVISOR

Nº de artigo	Ref.	Descrição
1013932	DAVK-0001E	Kit de pulverização de pintura Airvisor 2
1013934	DAVK-0003E	Kit produtos químicos Airvisor 2
1013935	DAVK-0004E	Kit industrial Airvisor 2
1013938	DMAK-0021E	Kit de pulverização de pintura Airvisor 2 MV
1013939	DMAK-0023E	Kit produtos químicos Airvisor 2 MV
1013980	DMAK-0024E	Kit industrial Airvisor 2 MV
1013983	DAWK-4001E	Kit de Solda Airvisor 2 FV-Series
1013987	DAWK-4011E	Kit de Solda Airvisor 2 W-Series
1765058	DAVK-0001E-DAC	Conector dupla acção para Kit de pulverização de pintura Airvisor 2
1765059	DAVK-0003E-DAC	Conector dupla acção para Kit produtos químicos Airvisor 2
1765060	DAVK-0004E-DAC	Conector dupla acção para Kit industrial Airvisor 2
1765061	DMAK-0021E-DAC	Conector dupla acção para Kit de pulverização de pintura Airvisor 2 MV
1765062	DMAK-0023E-DAC	Conector dupla acção para Kit de produtos químicos Airvisor 2 MV
1765063	DMAK-0024E-DAC	Conector dupla acção para Kit industrial Airvisor 2 MV
1765064	DAWK-4001E-DAC	Conector dupla acção para Kit de Solda Airvisor 2 FV-Series
1765065	DAWK-4011E-DAC	Conector dupla acção para Kit de Solda Airvisor 2 W-Series

Peça da cabeça sobresselente (completa):

1013936	DAVK-0051E	Para uso com DAVK-0001/03E
1013937	DAVK-0052E	Para uso com DAVK-0004E
1013981	DMAK-0071E	Para uso com DMAK-0021/23E
1013982	DMAK-0072E	Para uso com DMAK-0024E
1013986	DAWS-4101E	Para uso com DAWK-4001E
1013988	DAWS-4201E	Para uso com DAWK-4011E

Correia de cinta sobresselente (completa):

1013989	DAVV-1001E	Para uso com DAVK-0001E e DMAK-0021E
1013990	DAVV-1003E	Para uso com DAVK-0003/04E e DMAK-0023/24E e DAWK-4001/11E
1765066	DAVV-1001E-DAC	Para uso com DAVK-0001E-DAC e DMAK-0021E-DAC
1765067	DAVV-1003E-DAC	Para uso com DAVK-0003/04E-DAC e DMAK-0023/24E-DAC e DAWK-4001/11E-DAC

Peças sobresselentes e acessórios (como indicado nos desenhos do produto):

N°	N° de artigo	Descrição
1	1028821	Guarda frontal e banda da cabeça para os modelos Airvisor 2 DAVK
2	1028822	Guarda frontal e banda da cabeça para os modelos Airvisor 2 MV DMAK
3	1028823	Conjunto banda da cabeça para Kit de Solda Airvisor 2 FV-Series
4	1028824	Guarda frontal e banda da cabeça para Kit de Solda Airvisor 2 W-Series
6	1028827	Viseira em policarbonato (resistente aos impactos) para uso com DAVK-0004E
7	1001775	Viseira em acetato (resistente aos produtos químicos) para uso com DMAK-0021/23E (pacote de 5)
7	1001774	Viseira em policarbonato (resistente aos impactos) para uso com DMAK-0024E (pacote de 5)
	1028870	Tiras de vedação da viseira a utilizar com o item 7 (pacote de 10)
8	1028828	Visor interno em policarbonato (resistente ao impacto) para uso com DAWK-4001E
9	1001732	Coberturas de viseira descartáveis para uso com todos os modelos DAVK (pacote de 10)
9	1001731	Coberturas de viseira descartáveis para uso com todos os modelos DAVK (pacote de 50)
10	1001778	Coberturas de viseira descartáveis para uso com todos os modelos DMAK (pacote de 10)
10	1001779	Coberturas de viseira descartáveis para uso com todos os modelos DMAK (pacote de 50)
11	1001749	Coberturas de viseira descartáveis para uso com DAWK-4001E (pacote de 10)
12	1013994	Cassete de vedação da peça facial em tecido para todos os modelos DMAK (pacote de 5)
13	1001748	Conjunto de vedação da peça facial para DAWK-4001E
14	1013994	Cassete de vedação da peça facial em tecido para DAWK-4011E (pacote de 5)
15	1001750	Concha de solda para DAWK-4001E
16	1005103	Concha de solda para DAWK-4011E
17	1001725	Soquete miniatura de desengate rápido Alto Fluxo
18	1028829	Conjunto regulador Airvisor 2 para todos os modelos não DAC
18	1765068	Conjunto regulador Airvisor 2 para todos os modelos DAC
19	1001672	Cartucho de carbono para todos os modelos
20	1001674	Alojamento da correia de cinta e correia em tecido
21	1028830	Conector de desengate rápido especial Alto Fluxo Airvisor 2 (não DAC)
21	1765069	Conector duplo de desengate rápido especial Alto Fluxo Airvisor 2 (DAC)
22	1028831	Soquete de desengate rápido Alto Fluxo Airvisor 2
23	1001726	Tubo de abastecimento de ar Blueline 3,5m (para Airvisor 2 não DAC)
23	1001727	Tubo de abastecimento de ar Blueline 7,5m (para Airvisor 2 não DAC)
23	1004716	Tubo de abastecimento de ar Blueline 10m (para Airvisor 2 não DAC)
23	1765070	Tubo de abastecimento de ar verde 3,5m (para Airvisor 2 DAC)
23	1765071	Tubo de abastecimento de ar verde 7,5m (para Airvisor 2 DAC)
23	1765072	Tubo de abastecimento de ar verde 10m (para Airvisor 2 DAC)
24	1001683	Tubo de ar para pistola de pulverização (1,2m) para uso com DAVK-0001E e DMAK-0021E
25	1001733	Capuz descartável em tecido para uso com todos os modelos DVAK e DMAK (pacote de 5)
26	1001676	Protecção da cabeça e do pescoço descartável em tecido para uso com todos os modelos DAVK e DMAK (pacote de 5)
27	1001754	Protecção da cabeça e do pescoço retardadora de chama para uso com DAWK-4011E
28	1001738	Bolsa de armazenagem em tecido para todos os modelos

INSTRUCȚIUNI DE UTILIZARE A MĂȘTII DE PROTECȚIE RESPIRATORIE CU ADUCȚIE DE AER PĂSTRAȚI PENTRU CONSULTARE ULTERIOARĂ



Nu utilizați echipamentul înainte de a citi aceste instrucțiuni și a avea instruirea necesară.

INSTRUCȚIUNI DE UTILIZARE ȘI ÎNTREȚINERE



- Aerul comprimat furnizat la familia de produse Airvisor 2 trebuie să fie respirabil conform cu EN 12021. Honeywell recomandă utilizarea Sistemelor de filtrare Clearflow, pentru a asigura conformitatea. Calitatea aerului trebuie verificată periodic cu echipamente de testare adecvate. Înainte de a intra în zona de lucru, respectați următoarele instrucțiuni.
- Modelele Airvisor 2 DAC (cuplaje cu acțiune dublă) propun conectori cu acțiune dublă specifici pentru alimentarea cu aer comprimat, oferind un format specific de conectare și protecție suplimentară împotriva deconectărilor accidentale.

VERIFICĂRI ÎNAINTE DE UTILIZARE

- Verificați funcționarea fluierului de avertizare, pentru a vă asigura că este furnizat un volum adecvat de aer la masca de protecție respiratorie (vezi instrucțiunile de mai jos).
- Inspectați toate echipamentele pentru a nu prezenta deteriorări, acordând o atenție deosebită furtunului, tubului de alimentare a vizierei și a scutului pentru față.
- Nu utilizați masca de protecție respiratorie, în cazul în care scutul pentru față sau difuzorul de pe tubul de alimentare cu aer sunt deteriorate, deoarece acest lucru va afecta protecția.
- Protecțiile vizierei trebuie să ofere o vizibilitate bună.

PURTAREA ECHIPAMENTULUI

- Fixați ansamblul montat pe centură în jurul taliei și adaptați-l pentru a se potrivi confortabil. Dacă este necesar, puneți întâi cagula textilă (25), după care ansamblul vizierei.
- Păstrați viziera (6, 7, 8) ridicată și ajustați cureaua de suspendare și banda de fixare pe cap, pentru a se potrivi perfect.
- Introduceți capătul tubului de alimentare cu aer a vizierei (5) în priza miniaturală cu eliberare rapidă de debit mare (17).
- Selectați un furtun de aer cu lungime adecvată (23), până la maxim 10 metri și conectați priza miniaturală cu eliberare rapidă de debit mare pe furtun la orificiul de admisie a aerului (21) de pe ansamblul montat pe centură.
- Conectați celălalt capăt la alimentarea cu aer filtrată.



Atunci când utilizați modele Airvisor 2 DAC, utilizați furtunul verde de alimentare cu aer. Utilizați furtunuri albastre pentru modelele standard Airvisor 2.

Cuplați dispozitivul pneumatic (24) dacă este necesar, la orificiul de ieșire a aerului (22) de pe ansamblul montat pe centură.

Porniți alimentarea cu aer și reglați presiunea, pentru a furniza între 4,5 bari (61 psi) și 7 bari (102 psi) la intrarea ansamblului montat pe centură (vezi tabelul cu presiunea de alimentare de pe verso). Asigurați-vă că nu există pierderi de aer. Dacă se aude fluierul de avertizare, creșteți presiunea de intrare, până la oprirea alarmei acustice. În cazul în care fluierul nu se oprește atunci când creșteți presiunea, închideți alimentarea cu aer și începeți din nou, după ce ați reglat presiunea.

Rețineți că kiturile Airvisor 2 și Airvisor 2 MV utilizate împreună cu un dispozitiv pneumatic auxiliar sau un pistol de pulverizare, necesită presiuni de intrare mai mari (deci trebuie efectuată o verificare suplimentară). Dacă lucrați în acest mod, dispozitivul trebuie pus în funcțiune înainte de a purta masca de protecție respiratorie - dacă fluierul de avertizare sună în aceste condiții, creșteți presiunea de intrare, până când se oprește. Acest lucru asigură că există aer suficient pentru viziera măștii de protecție respiratorie și dispozitivul auxiliar sau pistolul de pulverizare.

Coborâți viziera, ajustând după cum este necesar cureaua de suspendare și banda de fixare pe cap, pentru a asigura potrivirea optimă a scutului în jurul feței. Verificați orice spații vizibile evidente între piele și scutul pentru față. Dacă sunt detectate spații, reajustați dispozitivul, până când acestea sunt închise. Acum sunteți pregătit să intrați în zona contaminată. Rețineți: dacă fluierul de avertizare sună în condiții normale de lucru, acest lucru indică faptul că nu este furnizat aer suficient în viziera măștii de protecție respiratorie - părăsiți zona contaminată imediat, apoi scoateți viziera - creșteți presiunea de intrare la un nivel adecvat.

Înlocuirea tubului de alimentare cu aer și a ansamblului difuzor (toate modelele):

- Tubul de alimentare cu aer (5) trebuie înlocuit, dacă este uzat sau deteriorat, pentru a evita scurgerile.
- Detașați tubul de la punctele sale de montare (introduse într-o fantă de la spatele căștii și montate pe două piciorușe de fixare transparente) și îndepărtați difuzorul din suportul curbat montat central, după îndepărtarea capacului.
- Instalați noul ansamblu prin introducerea cu atenție a difuzorului spongios în suportul curbat și fixarea capacului la loc.
- Montați la loc tubul de alimentare cu aer la vizieră/cadru folosind cele două piciorușe de fixare, asigurându-vă că potriviți tubul în fanta din cască.

Înlocuirea protecțiilor de unică folosință ale vizierei (toate modelele):

- Poziționați protecția vizierei (9/10/11) peste bolțurile metalice de pe fiecare parte a vizierei.

Înlocuirea vizierii (modelele DAVK-000*E & DAWK-4001E):

- Îndepărtați tubul de alimentare cu aer (5) din protecția frontală.
- Ținând protecția frontală, apăsați ferm partea de sus a vizierii (6), din exterior spre interior, folosind degetul mare și degetul arătător.
- Desprindeți canelurile vizierii din piciorușele situate pe fiecare parte a protecției frontale albastre.
- Dacă tubul de alimentare cu aer a vizierii trebuie reutilizat, îndepărtați tubul din interiorul vizierii, trăgând cu grijă cele două piciorușe de fixare transparente, altfel eliminați, atât viziera, cât și tubul.
- Pentru a reasambla, introduceți conectorul QR al tubului de alimentare cu aer prin orificiul din materialul spongios al vizierii.
- Montați tubul de alimentare cu aer a vizierii la vizieră cu cele două piciorușe de fixare transparente și suportul montat central, curbat.
- Reintrodeceti piciorușele protecției frontale albastre în canelurile din partea de sus a vizierii și apăsați ferm, rotiți spre protecția frontală și fixați în poziție.

Înlocuirea casetei scutului pentru față (modelele DMAK-002*E & DAWK-4011E):

- Sprijiniți echipamentul Airvisor întors pe braț și țineți rama mulată.
- Cu mâna liberă, țineți partea de jos a casetei scutului pentru față și extrageți din vizieră cu o mișcare rapidă.
- Aliniați caseta de schimb (12, 14) sub vizieră.
- Începând de la un capăt și continuând în jurul ramei, fixați caseta pe rama vizierii. Pentru componentele textile, capetele libere trebuie să treacă în interiorul benzii de fixare pe cap, apoi pliați partea exterioară a benzii, atașată la spate folosind capse. Dacă aveți nelămuriri, consultați configurația existentă, înainte de demontare.
- Caseta trebuie înlocuită ori de câte ori există semne de deteriorare sau acumulare de praf sau murdărie.

Înlocuirea vizierii (modelele DMAK-002*E & DAWK-4011E):

- Verificați dacă benzile de etanșare spongioase sunt deteriorate, înlocuiți dacă este necesar.
- Îndepărtați viziera apăsați pe ea de la interior.
- Introduceți urechea laterală a vizierii în fanta din rama vizierii, asigurându-vă că marginea de sus se află în canalul protecției frontale.
- Introduceți viziera (7) în jurul curburii ramei vizierii și introduceți, în cele din urmă, urechile inferioare în fantele protecției pentru bărbie.

Înlocuirea/Montarea filtrului de sudură (doar pentru kituri de sudură)

DAWK-4001E:

- Deșurubați șuruburile de prindere a lentilelor din interiorul carcasei.
- Îndepărtați capacele și filtrul.
- Înlocuiți filtrul, dacă este cazul.
- Puneți la loc clemele și șuruburile.

DAWK-4011E:

În cazul kitului de sudură din seria W, accesul la sistemul de prindere a ferestrei se face din exteriorul carcasei de sudură, după îndepărtarea capacului exterior de culoare bleu. Ansamblurile geamului ferestrei sunt fixate pe poziții cu un sistem de cleme flexibile.

Înlocuirea cartușului de carbon:



Cartușul de carbon (19) trebuie înlocuit, dacă este detectat miros sau după 1000 de ore de utilizare (maxim).

- Detașați centura de la alimentarea cu aer, îndepărtați toate furtunurile de conectare și îndepărtați cele trei șuruburi de fixare.
- Înclinați înainte, scoateți ansamblul de reglare și inversați centura, pentru a îndepărta cartușul de carbon.
- Montați garnitura inelare în partea de sus și de jos a cartușului de înlocuire.
- Potriviviți în carcasă și re poziționați sabotul negru de pe ansamblul regulator în fanta de pe jumătatea inferioară a carcasei montate pe centură.
- Remontați șuruburile și reconectați la sursa de aer.
- Verificați să nu existe scăpări de aer.



Când montați piese de schimb, utilizați numai piese Honeywell, pentru a menține o protecție optimă.

CURĂȚAREA ȘI DEZINFECTAREA DUPĂ FIECARE UTILIZARE

- Îndepărtați praful și murdăria de pe aparat cu o cârpă umezită cu un dezinfectant ușor sau soluție de săpun lichid.
- Nu introduceți aparatul în lichide.
- Nu folosiți un solvent sau un detergent nediluat, care ar putea deteriora aparatul.
- Nu utilizați un produs de curățare abraziv, care ar putea deteriora suprafața aparatului sau ar putea zgâria viziera.
- Se lasă să se usuce complet într-o zonă bine ventilată, departe de lumina directă a soarelui și de surse de temperaturi ridicate sau căldură radiantă.
- Puneți aparatul într-o geantă de depozitare (28), după curățare și dezinfectare.



- Aerul comprimat furnizat la familia de produse Airvisor 2 trebuie să fie respirabil conform cu EN 12021.
- Conținutul de umiditate a aerului respirat trebuie controlat în limitele stabilite în EN 12021, pentru a evita înghețarea aerului în aparat la temperaturi scăzute.
- O atenție deosebită trebuie acordată pentru a vă asigura că aparatul nu este conectat la sisteme alternative de aer la locul de muncă și care furnizează alte gaze decât aer respirabil.
- Aparatul nu trebuie conectat la o sursă de oxigen sau de aer îmbogățit cu oxigen.
- În cazul în care mai mult de un utilizator este conectat la sistemul de alimentare cu aer, asigurați-vă că sistemul are o capacitate suficientă pentru a alimenta fiecare utilizator.
- Utilizarea furtunului de aer Honeywell BlueLine (Airvisor 2 standard) sau a furtunului verde (Airvisor 2 DAC) și a cuplajelor cu debit mare este o parte integrantă a aprobării, nu utilizați niciun alt tip de furtun, nici nu adaptați furtunuri care sunt specificate pentru utilizarea cu aparatul dvs.
- Lungimea maximă a furtunului de alimentare pentru dispozitivele din clasa A este de 10 metri, care să cuprindă un furtun continuu. Furtunurile mai scurte nu trebuie unite, pentru a obține lungimea maximă.
- Presiunea maximă de lucru (nominală) pentru furtunurile de alimentare cu aer comprimat Honeywell este de 10 bari.
- Nu este adecvat pentru utilizarea în zonele cu o temperatură ambiantă de peste 35 °C, aveți grijă să nu lăsați echipamentul în cabina de pulverizare, atunci când aceasta este convertită în cuptor de uscare.
- A nu se utiliza în condițiile în care utilizatorul ar suferi daune ireversibile dacă este neprotejat, nici în medii cu deficit de oxigen.
- La viteze foarte mari de lucru, presiunea din cască poate deveni negativă la debitul maxim de inhalare.
- Când vă aflați în zona contaminată, asigurați-vă că viziera este blocată în poziția coborâtă și ieșiți imediat din zona de pericol, în cazul în care este suspectată o defecțiune sau se aude fluierul de avertizare.
- Protecția împotriva metalului topit este prezentă numai atunci când sunt utilizate protecții de unică folosință pentru vizieră.
- După caz, marcajul F1 indică faptul că aparatul și tubul de alimentare cu aer comprimat pot fi utilizate în situațiile în care inflamabilitatea poate reprezenta un risc.
- Aparatul nu poate asigura o protecție adecvată în anumite atmosfere foarte toxice. Este responsabilitatea utilizatorului să se asigure că aparatul este potrivit pentru activitatea care urmează să fie efectuată și potrivit pentru utilizatorul individual. Consultați legislația locală pentru îndrumări.

Presiunile minime de alimentare la intrarea furtunului de alimentare cu aer comprimat:

		Presiunea de alimentare în bari (psi)	
Aleaj furtunului de alimentare (mm)	Lungimea furtunului (m)	DAVK-0001E	DAVK-0003E, 0004E
		DMAK-0021E	DMAK-0023E, 0024E DAWK-4001E, 4011E
8	3,5	5,3 bari (77 psi)	4,5 bari (61 psi)
	7,5		4,6 bari (63 psi)
	10	5,4 bari (79 psi)	4,7 bari (64 psi)
		5,5 bari (80 psi)	



- Lungimea maximă a furtunului de alimentare 10 metri.
- Pentru DAVK-0001E și DMAK-0021E, dacă fluierul de avertizare sună în orice moment în timpul funcționării dispozitivului auxiliar sau pistolului de pulverizare, creșteți presiunea de intrare până când se oprește. Acest lucru asigură că ajunge aer suficient la cască și că siguranța dvs. este menținută.

INFORMAȚII TEHNICE

Certificare/Aprobare	Aprobare CE (CE 0194)
Standard/Conformitate	EN 14594:2005 (condiții ușoare Clasa A)
Factori nominali de protecție	Clasa 3 = 200 Modele DAWK Clasa 4 = 2.000 Modele DAVK & DMAK
Vizieră: Rezistență chimic Rezistență la impact	EN 166.2.F EN 166.2.B.9
Debitul nominal minim al producătorului Debitul maxim	260 l/min 290 l/min
Presiune de funcționare	4,5 bari (61 psi) la 7,0 bari (102 psi)
Temperatură maximă de funcționare	35°C
Cartuș de carbon	Înlocuiți după 1.000 de ore sau Dacă mirosul este detectat în interiorul căștii

FACTORI DE PROTECȚIE

Un factor de protecție atribuit (APF) de 40 înseamnă că masca poate fi utilizată în zonele de contaminare cu până la 40 de ori peste limita de expunere la locul de muncă.

În alte zone geografice, consultați reglementările sau îndrumările naționale sau regionale, care modifică valoarea factorului de protecție pe care vă este permis să îl utilizați, atunci când selectați protecția respiratorie.

SISTEME DE PROTECȚIE RESPIRATORIE AIRVISOR

Articolul nr.	Piesa nr.	Descriere
1013932	DAVK-0001E	Kit de vopsire prin pulverizare Airvisor 2
1013934	DAVK-0003E	Kit chimic Airvisor 2
1013935	DAVK-0004E	Kit industrial Airvisor 2
1013938	DMAK-0021E	Kit de vopsire prin pulverizare Airvisor 2 MV
1013939	DMAK-0023E	Kit chimic Airvisor 2 MV
1013980	DMAK-0024E	Kit industrial Airvisor 2 MV
1013983	DAWK-4001E	Kit de sudură Airvisor 2 seria FV
1013987	DAWK-4011E	Kit de sudură Airvisor 2 seria W
1765058	DAVK-0001E-DAC	Kit de vopsire prin pulverizare Airvisor 2 cu conector cu acțiune dublă
1765059	DAVK-0003E-DAC	Kit chimic Airvisor 2 cu conector cu acțiune dublă
1765060	DAVK-0004E-DAC	Kit industrial Airvisor 2 cu conector cu acțiune dublă
1765061	DMAK-0021E-DAC	Kit de vopsire prin pulverizare Airvisor 2 MV cu conector cu acțiune dublă
1765062	DMAK-0023E-DAC	Kit chimic Airvisor 2 MV cu conector cu acțiune dublă
1765063	DMAK-0024E-DAC	Kit industrial Airvisor 2 MV cu conector cu acțiune dublă
1765064	DAWK-4001E-DAC	Kit de sudură Airvisor 2 seria FV cu conector cu acțiune dublă
1765065	DAWK-4011E-DAC	Kit de sudură Airvisor 2 seria W cu conector cu acțiune dublă

Căști de schimb (complete):

1013936	DAVK-0051E	Pentru utilizarea cu DAVK-0001/03E
1013937	DAVK-0052E	Pentru utilizarea cu DAVK-0004E
1013981	DMAK-0071E	Pentru utilizarea cu DMAK-0021/23E
1013982	DMAK-0072E	Pentru utilizarea cu DMAK-0024E
1013986	DAWS-4101E	Pentru utilizarea cu DAWK-4001E
1013988	DAWS-4201E	Pentru utilizarea cu DAWK-4011E

Centuri de schimb (complete):

1013989	DAVW-1001E	Pentru utilizarea cu DAVK-0001E și DMAK-0021E
1013990	DAVW-1003E	Pentru utilizarea cu DAVK-0003/04E și DMAK-0023/24E și DAWK-4001/11E
1765066	DAVW-1001E-DAC	Pentru utilizarea cu DAVK-0001E-DAC și DMAK-0021E-DAC
1765067	DAVW-1003E-DAC	Pentru utilizarea cu DAVK-0003/04E-DAC și DMAK-0023/24E-DAC și DAWK-4001/11E-DAC

Piese de schimb și accesorii (conform desenelor produselor):

Nr.	Articolul nr.	Descriere
1	1028821	Protecție frontală și bandă de fixare pe cap pentru modelele Airvisor 2 DAVK
2	1028822	Protecție frontală și bandă de fixare pe cap pentru modelele Airvisor 2 MV DMAK
3	1028823	Ansamblu bandă de fixare pe cap pentru kitul de sudură Airvisor 2 seria FV
4	1028824	Protecție frontală și bandă de fixare pe cap pentru kitul de sudură Airvisor 2 seria W
5	1028825	Tab de alimentare cu aer și ansamblu difuzor Airvisor 2 pentru toate modelele
6	1028826	Vizieră din acetat (rezistență chimic) pentru utilizarea cu DAVK-0001/03E
6	1028827	Vizieră din Policarbonat (rezistență la impact) pentru utilizarea cu DAVK-0004E
7	1001775	Vizieră din acetat (rezistență chimic) pentru utilizarea cu DMAK-0021/23E (pachet de 5)
7	1001774	Vizieră din policarbonat (rezistență la impact), pentru utilizarea cu DMAK-0024E (pachet de 5)
	1028870	Benzi de etanșare vizieră pentru utilizarea cu articolele 7 (pachet de 10)
8	1028828	Vizieră interioară din Policarbonat (rezistență la impact) pentru utilizarea cu DAWK-4001E
9	1001732	Protecții de unică folosință pentru vizieră utilizate cu toate modelele DAVK (pachet de 10)
9	1001731	Protecții de unică folosință pentru vizieră utilizate cu toate modelele DAVK (pachet de 50)
10	1001778	Protecții de unică folosință pentru vizieră utilizate cu toate modelele DMAK (pachet de 10)
10	1001779	Protecții de unică folosință pentru vizieră utilizate cu toate modelele DMAK (pachet de 50)
11	1001749	Protecții de unică folosință pentru vizieră utilizate cu DAWK-4001E (pachet de 10)
12	1013994	Casetă textilă de etanșare facială pentru modele DMAK (pachet de 5)
13	1001748	Ansamblu textil de etanșare facială pentru DAWK-4001E
14	1013994	Casetă textilă de etanșare facială pentru DAWK-4011E (pachet de 5)
15	1001750	Carcasă de sudură pentru DAWK-4001E
16	1005103	Carcasă de sudură pentru DAWK-4011E
17	1001725	Priză miniaturală cu eliberare rapidă de debit mare
18	1028829	Ansamblu regulator Airvisor 2 pentru toate modelele non-DAC
18	1765068	Ansamblu regulator Airvisor 2 pentru toate modelele DAC
19	1001672	Cartuș de carbon pentru toate modelele
20	1001674	Carcasă montată pe centură și centură textilă
21	1028830	Priză specială cu eliberare rapidă de debit mare Airvisor 2 (non-DAC)
21	1765069	Priză specială dublă cu eliberare rapidă de debit mare Airvisor 2 (DAC)
22	1028831	Priză cu eliberare rapidă de debit mare Airvisor 2
23	1001726	Furtun de alimentare cu aer BlueLine de 3,5 m (pentru non-DAC Airvisor 2)
23	1001727	Furtun de alimentare cu aer BlueLine de 7,5 m (pentru non-DAC Airvisor 2)
23	1004716	Furtun de alimentare cu aer BlueLine de 10 m (pentru non-DAC Airvisor 2)
23	1765070	Furtun de alimentare cu aer verde de 3,5 m (pentru DAC Airvisor 2)
23	1765071	Furtun de alimentare cu aer verde de 7,5 m (pentru DAC Airvisor 2)
23	1765072	Furtun de alimentare cu aer verde de 10 m (pentru DAC Airvisor 2)
24	1001683	Furtun de aer pentru pistol de pulverizare (1,2 m), pentru utilizare cu DAVK-0001E și DMAK-0021E
25	1001733	Cagulă textilă de unică folosință utilizată cu toate modelele DAVK & DMAK (pachet de 5)
26	1001676	Protecție textilă de unică folosință pentru cap și gât utilizată cu toate modelele DAVK & DMAK (pachet de 5)
27	1001754	Protecție din material ignifug pentru cap și gât pentru utilizare cu DAWK-4011E
28	1001738	Geantă textilă de depozitare pentru toate modelele

ИНСТРУКЦИЯ ПОЛЬЗОВАТЕЛЯ ДЛЯ РЕСПИРАТОРА С ПОДАЧЕЙ ВОЗДУХА СОХРАНИТЬ ДЛЯ ДАЛЬНЕЙШЕГО ИСПОЛЬЗОВАНИЯ



Запрещается пользоваться оборудованием, не прочитав данную инструкцию и не получив соответствующего обучения обращению с товаром.

ИНСТРУКЦИЯ ПО ИСПОЛЬЗОВАНИЮ И ОБСЛУЖИВАНИЮ



- Подаваемый в изделия семейства Airvisor 2 сжатый воздух должен быть пригодным для дыхания и соответствовать стандарту EN 12021. Для соответствия стандартам компания Honeywell рекомендует использовать фильтрующие системы Clearflow. Периодически необходимо проверять качество воздуха с помощью соответствующего контрольного оборудования. Перед входом в рабочую зону необходимо выполнить следующие инструкции.
- Модели Airvisor 2 DAC (с соединениями двойного действия) оснащены специальными соединениями двойного действия для подачи сжатого воздуха, образуя специальную конструкцию соединения и дополнительную защиту от непредвиденных отсоединений.

ПРОВЕРКИ ПЕРЕД ИСПОЛЬЗОВАНИЕМ

- Проверить работоспособность аварийного свистка, чтобы убедиться — в респиратор подается нужный объем воздуха (см. инструкции ниже).
- Осмотреть все оборудование на предмет повреждений, обращая особое внимание на шланг, подающую трубку маски и лицевой щиток.
- Запрещается использовать респиратор, если лицевой щиток или диффузор на трубке подачи воздуха повреждены, т. к. это влияет на уровень защиты.
- Убедиться, что маска обеспечивает хороший обзор.

НАДЕВАНИЕ ОБОРУДОВАНИЯ

- Закрепить блок сумки-пояса на поясе и настроить так, чтобы он сидел удобно. При необходимости, после надевания лицевой маски надеть тканевый капюшон (25).
- Держать маску (6, 7, 8) поднятой, и настроить верхний ремешок и головную повязку.
- Подсоединить конец трубки подачи воздуха (5) к миниатюрному быстроразъемному гнезду высокого расхода (17).
- Выбрать подходящий воздушный шланг (23) длиной до 10 м и подсоединить его к быстроразъемному гнезду высокого расхода на впуске воздуха (21) на блоке сумки-пояса.
- Подсоединить другой конец к подаче фильтрованного воздуха.



При использовании моделей Airvisor 2 DAC необходимо пользоваться зеленым шлангом подачи воздуха. В стандартных моделях Airvisor 2 необходимо пользоваться синими шлангами.

При необходимости, подсоединить пневматический инструмент (24) к воздуховоду (22) на блоке сумки-пояса.

Включить подачу воздуха, настроить давление воздуха между 4,5 (61 фунт/кв. дюйм) и 7 бар (102 фунт/кв. дюйм) на входе блока сумки-пояса (см. Таблицу давления подачи на обороте). Необходимо убедиться в отсутствии утечек воздуха. Если сработает аварийный свисток, то входное давление необходимо увеличивать пока звук не прекратится. Если свисток не перестает звучать при увеличении давления, подачу воздуха необходимо прекратить и попробовать еще раз после настройки давления.

Обратите внимание, что наборы Airvisor 2 и Airvisor 2 MV, используемые вместе с дополнительным пневматическим инструментом или распылителем, требуют большего входного давления (необходимо провести дополнительные проверки). При работе таким образом, перед надеванием респиратора необходимо включить инструмент и, если при этом звучит аварийный свисток, необходимо увеличить входное давление, пока звук не прекратится. Таким образом обеспечивается достаточное давление, как для работы маски, так и для дополнительного инструмента или распылителя.

Опустить маску, при необходимости поправляя верхний ремешок и головную повязку, обеспечивая оптимальное прилегание лицевого щитка к лицу. Проверить на предмет видимых зазоров между кожей и лицевым щитком. Если будут обнаружены зазоры, то устройство необходимо отрегулировать повторно, пока зазоры не исчезнут. Теперь устройство готово для использования в загрязненной зоне. Обратите внимание: если аварийный свисток звучит во время обычных рабочих условий, это означает, что в респиратор поступает недостаточно воздуха. Необходимо немедленно покинуть загрязненную зону, снять маску и увеличить входное давление до подходящего уровня.

Замена трубки подачи воздуха и блока диффузора (все модели):

- Если трубка подачи воздуха (5) износилась или повреждена, во избежание утечек ее необходимо заменить.
- Отсоединить трубку от точек крепления (подсоединена к выемке на задней стороне шлема и установлена на двух фиксаторах) и вынуть диффузор из центрального крепления после снятия крышки.
- Установить новый блок путем осторожной передвигания диффузора на кронштейн и установки крышки на прежнее место.
- Подсоединить трубку подачи воздуха к маске/корпусу при помощи двух фиксаторов, убедившись, что труба попала в выемку на шлеме.

Замена одноразовых защитных пленок маски (все модели):

- Пленка (9/10/11) закреплена на штифтах по обеим сторонам маски.

Замена маски (модели DAVK-000*E & DAWK-4001E):

- Отсоединить трубку подачи воздуха маски (5) с защитного ограждения для бровей.
- Удерживая защитное ограждение для бровей, нажать на верхнюю часть маски (6) с наружной стороны внутрь большим и указательным пальцами.
- Отцепить пазы шпоночной канавки маски от синих штифтов защитного ограждения для бровей, расположенных по обеим сторонам.
- Если трубка подачи воздуха будет использоваться повторно, ее необходимо отсоединить от маски, осторожно потянув два фиксатора, в противном случае необходимо снять и маску и трубку.
- Для повторной сборки необходимо продеть быстроразъемное соединение воздушной трубки вверх через отверстие в пленке маски.
- Закрепить трубку подачи воздуха на маске с помощью двух фиксаторов и центрального крепления.
- Установить синие штифты защитного ограждения бровей в пазы шпоночной канавки в верхней части маски, после чего, плотно прижав их, вращать по направлению к защитному ограждению для бровей и зафиксировать в таком положении.

Замена кассеты лицевого щитка (модели DMAK-002*E & DAWK-4011E):

- Поддерживать перевернутый Airvisor рукой и держать за формовочную раму.
- Свободной рукой держаться за кассету лицевого щитка и потянуть ее в направлении от маски одним быстрым движением.
- Поднести к маске сменную кассету (12, 14).
- Продеть кассету, начиная с одного конца и продвигаться по всей раме. В матерчатых частях необходимо обеспечить проход свободных концов под головную повязку, после чего сложить внешнюю часть головной повязки, складывая края друг к другу при помощи нажимных кнопок — в случае возникновения сомнений необходимо руководствоваться видом конструкции до ее разборки.
- Кассету необходимо заменять при первых признаках повреждений и образования грязи.

Замена маски (модели DMAK-002*E & DAWK-4011E):

- Проверить уплотнительные полосы на предмет повреждений и, при необходимости, заменить их.
- Снять маску, надавив на нее с внутренней стороны.
- Установит боковое ушко в паз окружности маски, убедившись, что верхняя грань находится в желобе защитного ограждения для бровей.
- Подать окружность маски (7) и установить нижние уши в пазы защитного ограждения для подбородка.

Замена/установка фильтра для сварки (только комплекты для сварки)

DAWK-4001E:

- Открутить винты зажима линзы внутри щитка.
- Снять панели крышки и фильтр.
- При необходимости заменить фильтр.
- Установить на местозажим и привинтить его.

DAWK-4011E:

В случае комплекта для сварки серии W, доступ к системе крепления окна осуществляется снаружи сварочного щитка, после снятия голубой наружной крышки. Узлы затемненного оконного стекла удерживаются на месте системой гибких зажимов.

Замена углеродного картриджа:



Углеродный картридж (19) необходимо заменять при обнаружении посторонних запахов или каждые 1000 часов использования (максимум).

- Отсоединить сумку-пояс от подачи воздуха, снять все соединительные шланги и три фиксирующих винта.
- Наклонить вперед, снять агрегат регулятора и перевернуть сумку-пояс для удаления углеродного картриджа.
- Закрепить кольцевые уплотнения сверху и снизу сменного картриджа.
- Поместить в корпус и переместить черную ручку на агрегат регулятора в паз на нижней части сумки-пояса.
- Установить винты обратно и восстановить подачу воздуха.
- Проверить на наличие утечек воздуха.



При замене деталей необходимо всегда пользоваться запчастями Honeywell. Это поможет поддержать оптимальный уровень защиты.

ОЧИСТКА И ДЕЗИНФЕКЦИЯ ПОСЛЕ КАЖДОГО ИСПОЛЬЗОВАНИЯ

- Пыль и грязь с аппарата необходимо удалять при помощи влажной ткани, смоченной мягким дезинфицирующим средством или жидким раствором мыла.
- Запрещается погружать аппарат в жидкость.
- Запрещается использовать растворители или неразбавленные чистящие средства, которые могут повредить аппарат.
- Запрещается использовать абразивные чистящие вещества, которые могут повредить поверхность аппарата или поцарапать маску.
- Высушивать необходимо полностью в хорошо вентилируемом помещении, избегая воздействия прямых солнечных лучей, источников высоких температур или теплового излучения.
- После очистки и дезинфекции необходимо сложить аппарат в мешок для хранения (28).



- Подаваемый в изделия семейства Airvisor 2 сжатый воздух должен быть пригодным для дыхания согласно стандарту EN 12021.
- Во избежание замерзания аппарата при низких температурах, необходимо убедиться, что содержание влаги в воздухе для дыхания находится в пределах, установленных стандартом EN 12021.
- Необходимо проявлять особую осторожность и проверять, не подключен ли аппарат к другим системам подачи воздуха, которые снабжают оборудование газами вместо воздуха, пригодного для дыхания.
- Аппарат не должен быть подключен к системе подачи кислорода или воздуха, обогащенного кислородом.
- При подключении нескольких пользователей к системе подачи воздуха необходимо убедиться, что система обладает достаточной мощностью для снабжения воздухом всех пользователей.
- Использование воздушного шланга Honeywell BlueLine (стандартный — Airvisor 2) или зеленого шланга (Airvisor 2 DAC) и соединений максимального расхода является неотъемлемой частью соответствия. Запрещается использование других типов шлангов или адаптация тех, которые приспособлены для работы с вашим аппаратом.
- Максимальная длина питающего шланга для приборов класса А составляет 10 метров, таким образом, имеется один неделимый шланг. Соединение коротких шлангов для образования длинных запрещено.
- Максимальное (номинальное) рабочее давление шлангов подачи сжатого воздуха Honeywell составляет 10 бар.
- Не подходит для использования в зонах, температура окружающей среды которых составляет более 35°C. Запрещается оставлять оборудование в распылительной камере при включении режима сушильной печи.
- Запрещается использование в условиях, при которых незащищенный пользователь может получить необратимые повреждения или в среде с недостатком кислорода.
- При высоком коэффициенте использования давление внутри шлема в высшей точке вдыхания может стать отрицательным.
- При использовании в загрязненной зоне необходимо обеспечить фиксацию маски в опущенном положении и немедленно покинуть опасную зону при подозрении на неполадку или при срабатывании аварийного свистка.
- Защита от расплавленного металла предоставляется только при использовании одноразовых пленок для маски.
- В соответствующих случаях маркировка F1 указывает на то, что устройство и шланг подачи сжатого воздуха можно использовать в пожароопасной среде.
- Аппарат может не обеспечивать достаточную защиту в определенных высокотоксичных средах. В ответственности пользователя находится определение того, подходит ли аппарат для данной работы и для конкретного пользователя. Соответствующие указания см. в местном законодательстве.

Минимальное давление на входе шланга подачи сжатого воздуха:

		Давление подачи в бар (фунт/кв. дюйм)	
Диаметр шланга подачи (мм)	Длина шланга (м)	DAVK-0001E DMAK-0021E	DAVK-0003E, 0004E DMAK-0023E, 0024E DAWK-4001E, 4011E
8	3,5 7,5 10	5,3 бар (77 фунт/кв. дюйм) 5,4 бар (79 фунт/кв. дюйм) 5,5 бар (80 фунт/кв. дюйм)	4,5 бар (61 фунт/кв. дюйм) 4,6 бар (63 фунт/кв. дюйм) 4,7 бар (64 фунт/кв. дюйм)



- Максимальная длина шланга подачи составляет 10 метров.
- Для моделей DAVK-0001E и DMAK-0021E: если аварийный свисток срабатывает во время работы дополнительного инструмента или распылителя, необходимо увеличить входное давление, пока звук не прекратится. Это обеспечивает достаточную подачу воздуха в шлем и обеспечивает безопасность.

ТЕХНИЧЕСКИЕ СВЕДЕНИЯ

Сертификация/утверждение	Утверждено CE (CE 0194)
Стандарт/соответствие	EN 14594:2005 (облегченные условия работы класса A)
Номинальные коэффициенты защиты	Класс 3 = 200 модели DAVK Класс 4 = 2,000 модели DAVK и DMAK
Маска: Химическая стойкость Ударная прочность	EN 166.2.F EN 166.2.B.9
Минимальный расчетный поток воздуха по данным производителя Максимальный поток воздуха	260 л/мин 290 л/мин
Рабочее давление	от 4,5 бар (61 фунт/кв. дюйм) до 7,0 бар (102 фунт/кв. дюйм)
Максимальная рабочая температура	35°C
Углеродный картридж	Заменять после 1000 часов работы или при обнаружении посторонних запахов в шлеме

КОЭФФИЦИЕНТЫ ЗАЩИТЫ

Значение определенного коэффициента защиты (APF) 40 означает, что респиратор может использоваться в зонах с загрязнением до 40 X пределов воздействия на рабочем месте.

В других географических регионах необходимо обращаться к государственным и местным нормам и правилам, которые определяют значение коэффициента защиты, пригодного для использования при выборе респираторной защиты.

РЕСПИРАТОРНЫЕ СИСТЕМЫ AIRVISOR

Номер изделия	Номер детали	Описание
1013932	DAVK-0001E	Набор для окраски пульверизацией Airvisor 2
1013934	DAVK-0003E	Химический набор Airvisor 2
1013935	DAVK-0004E	Промышленный набор Airvisor 2
1013938	DMAK-0021E	Набор для окраски пульверизацией Airvisor 2 MV
1013939	DMAK-0023E	Химический набор Airvisor 2 MV
1013980	DMAK-0024E	Промышленный набор Airvisor 2 MV
1013983	DAWK-4001E	Комплект для сварки Airvisor 2 серии FV
1013987	DAWK-4011E	Комплект для сварки Airvisor 2 серии W
1765058	DAVK-0001E-DAC	Соединитель двойного действия комплекта для покраски пульверизацией Airvisor 2
1765059	DAVK-0003E-DAC	Соединитель двойного действия химического комплекта Airvisor 2
1765060	DAVK-0004E-DAC	Соединитель двойного действия промышленного комплекта Airvisor 2
1765061	DMAK-0021E-DAC	Двойное соединение комплекта для покраски пульверизацией Airvisor 2 MV
1765062	DMAK-0023E-DAC	Соединитель двойного действия химического комплекта Airvisor 2 MV
1765063	DMAK-0024E-DAC	Соединитель двойного действия промышленного комплекта Airvisor 2 MV
1765064	DAWK-4001E-DAC	Соединитель двойного действия комплекта для сварки Airvisor 2 серии FV
1765065	DAWK-4011E-DAC	Соединитель двойного действия комплекта для сварки Airvisor 2 серии W

Запасные шлемы (полная комплектация):

1013936	DAVK-0051E	Для использования с DAVK-0001/03E
1013937	DAVK-0052E	Для использования с DAVK-0004E
1013981	DMAK-0071E	Для использования с DMAK-0021/23E
1013982	DMAK-0072E	Для использования с DMAK-0024E
1013986	DAWS-4101E	Для использования с DAWK-4001E
1013988	DAWS-4201E	Для использования с DAWK-4011E

Запасные сумки-пояса (полная комплектация):

1013989	DAVW-1001E	Для использования с DAVK-0001E и DMAK-0021E
1013990	DAVW-1003E	Для использования с DAVK-0003/04E, DMAK-0023/24E и DAWK-4001/11E
1765066	DAVW-1001E-DAC	Для использования с DAVK-0001E-DAC и DMAK-0021E-DAC
1765067	DAVW-1003E-DAC	Для использования с DAVK-0003/04E-DAC, DMAK-0023/24E-DAC и DAWK-4001/11E-DAC

Запасные части и дополнительные детали (как указано на чертежах изделия):

№п/п	Номер изделия	Описание
1	1028821	Защитное ограждение для бровей и головная повязка — для моделей Airvisor 2 DAVK
2	1028822	Защитное ограждение для бровей и головная повязка — для моделей Airvisor 2 MV DMAK
3	1028823	Головная повязка — для комплекта для сварки Airvisor 2 серии FV
4	1028824	Защитное ограждение для бровей и головная повязка — для комплекта для сварки Airvisor 2 серии W
5	1028825	Трубка подачи воздуха Airvisor 2 и блок диффузора для всех моделей
6	1028826	Ацетатная маска (химическая стойкость) для использования с DAVK-0001/03E
6	1028827	Поликарбонатная маска (ударопрочность) для использования с DAVK-0004E
7	1001775	Ацетатная маска (химическая стойкость) для использования с DMAK-0021/23E (упаковка из 5 штук)
7	1001774	Поликарбонатная маска (ударопрочность) для использования с DMAK-0024E (упаковка из 5 штук)
	1028870	Уплотнительные ленты маски для использования с изделиями 7 (упаковка из 10 штук)
8	1028828	Поликарбонатная внутренняя маска (ударопрочность) для использования с DAWK-4001E
9	1001732	Одноразовые пленки для маски — подходят ко всем моделям DAVK (упаковка из 10 штук)
9	1001731	Одноразовые пленки для маски — подходят ко всем моделям DAVK (упаковка из 50 штук)
10	1001778	Одноразовые пленки для маски — подходят ко всем моделям DMAK (упаковка из 10 штук)
10	1001779	Одноразовые пленки для маски — подходят ко всем моделям DMAK (упаковка из 50 штук)
11	1001749	Одноразовые пленки для маски для использования с DAWK-4001E (упаковка из 10 штук)
12	1013994	Кассета торцевого уплотнения из ткани для моделей DMAK (упаковка из 5 штук)
13	1001748	Комплект торцевых уплотнений из ткани для DAWK-4001E
14	1013994	Кассета торцевого уплотнения из ткани для DAWK-4011E (упаковка из 5 штук)
15	1001750	Сварочный щиток DAWK-4001E
16	1005103	Сварочный щиток DAWK-4011E
17	1001725	Миниатюрное быстроразъемное гнездо высокого расхода
18	1028829	Узел регулятора Airvisor 2 для всех моделей, кроме DAC
18	1765068	Узел регулятора Airvisor 2 для всех моделей DAC
19	1001672	Угольный картридж для всех моделей
20	1001674	Сумка-пояс и матерчатый пояс
21	1028830	Специальная быстроразъемная втулка высокого расхода Airvisor 2 (кроме DAC)
21	1765069	Специальная быстроразъемная двойная втулка высокого расхода Airvisor 2 (DAC)
22	1028831	Быстроразъемное гнездо высокого расхода Airvisor 2
23	1001726	Шланг подачи воздуха Blueline 3,5 м (для Airvisor 2 кроме DAC)
23	1001727	Шланг подачи воздуха Blueline 7,5 м (для Airvisor 2 кроме DAC)
23	1004716	Шланг подачи воздуха Blueline 10 м (для Airvisor 2 кроме DAC)
23	1765070	Зеленый шланг подачи воздуха 3,5 м (для Airvisor 2 DAC)
23	1765071	Зеленый шланг подачи воздуха 7,5 м (для Airvisor 2 DAC)
23	1765072	Зеленый шланг подачи воздуха 10 м (для Airvisor 2 DAC)
24	1001683	Воздушный шланг распылителя (1,2 м) для использования с моделями DAVK-0001E и DMAK-0021E
25	1001733	Одноразовый капюшон из ткани для использования со всеми моделями DAVK и DMAK (упаковка из 5 штук)
26	1001676	Одноразовая защита для головы и шеи — подходит ко всем моделям DAVK и DMAK (упаковка из 5 штук)
27	1001754	Огнеупорная защита для головы и шеи для использования с DAWK-4011E
28	1001738	Матерчатый мешок для хранения — подходит ко всем моделям

NÁVOD NA POUŽITIE DÝCHACIEHO PRÍSTROJA S PRÍVODOM VZDUCHU ODLOŽTE SI NÁVOD PRE BUDÚCU POTREBU



Nepoužívajte zariadenie, kým si neprečítate tento návod a nebudete zaškolení v používaní tohto výrobku.

NÁVOD NA POUŽITIE A ÚDRŽBU



- Kvalita stlačeného vzduchu privádzaného do výrobkov radu Airvisor 2 musí z hľadiska dýchateľnosti zodpovedať norme EN 12021. V záujme dosiahnutia súladu s normami odporúča spoločnosť Honeywell používať systém filtrov Clearflow. Kvalita vzduchu sa má pravidelne kontrolovať pomocou vhodného testovacieho zariadenia. Pred vstupom na pracovisko postupujte v súlade s pokynmi uvedenými nižšie.
- Pre modely Airvisor 2 DAC (s dvojitými spojkami) boli navrhnuté špeciálne dvojité konektory na prívod stlačeného vzduchu ovládanými dvoma rukami, ktoré poskytujú špecifický formát pripojenia a zvýšenú ochranu pred neočakávaným odpojením.

KONTROLA PRED POUŽITÍM

- Skontrolujte funkčnosť výstražnej zvukovej signalizácie, aby bol zabezpečený prívod správneho objemu vzduchu do dýchacieho prístroja (pozrite pokyny uvedené nižšie).
- Skontrolujte celé zariadenie, či nie je poškodené, pričom zvláštnu pozornosť venujte hadici, prívodnej hadici štítu a tvárovej bariére.
- Dýchací prístroj nepoužívajte, ak sú tvárová bariéra alebo rozvádzač na prívodnej hadici poškodené, pretože poškodenie bude mať vplyv na ochranu.
- Skontrolujte, či štít umožňuje dobrú viditeľnosť.

NASADENIE ZARIADENIA

- Súpravu určenú na pás si upevnite okolo pása a nastavte ju tak, aby sa pohodlne nosila. Podľa potreby si nasadte látkovú kapucu (25) a následne súpravu so štítom.
- Nechajte štít (6, 7, 8) zdvihnúť a nastavte záhlavný a hlavový pás tak, aby pevne priliehali.
- Zasuňte koniec hadice na prívod vzduchu do štítu (5) do miniatúrneho rýchlovyvípacieho (RV) konektora High Flow (17).
- Vyberte vzduchovú hadicu (23) vhodnej dĺžky (max. 10 metrov) a pripojte RV konektor High Flow na hadicu do prívodu vzduchu (21) na súprave na pás.
- Pripojte druhý koniec do filtrovaného prívodu vzduchu.



Ak používate modely Airvisor 2 DAC, použite zelenú hadicu na prívod vzduchu. V prípade štandardných modelov Airvisor 2 použite modré hadice.

Podľa potreby pripojte nástroj so vzduchovým pohonom (24) k vývodu vzduchu (22) na súprave na pás.

Zapnite prívod vzduchu a nastavte tlak tak, aby ste na vstupe súpravy na pás dosiahli hodnotu od 4,5 baru (61 psi) do 7 barov (102 psi) (pozrite si tabuľku prívodného tlaku na ďalšej strane). Skontrolujte, či nikde neuniká vzduch. Po zaznení výstražného zvukového signálu zvýšite vstupný tlak, kým sa výstražný signál nevypne. Ak sa výstražný signál pri zvyšovaní tlaku nevypne, vypnite prívod vzduchu a po nastavení tlaku ho zapnite znova.

Súpravy Airvisor 2 a Airvisor 2 MV používané spolu s pomocným nástrojom so vzduchovým pohonom alebo so striekacou pištoľou vyžadujú vyššie hodnoty vstupného tlaku (musíte vykonať ďalšiu kontrolu). Pri takejto práci musí byť nástroj v prevádzke ešte pred zložením dýchacieho prístroja – ak zaznie výstražný zvukový signál v týchto podmienkach, zvýšite vstupný tlak, kým sa výstražný signál nevypne. Tým sa zabezpečí dostatok vzduchu pre štít dýchacieho prístroja aj pre pomocný nástroj alebo striekaciu pištoľ.

Spustíte štít, podľa potreby nastavte záhlavný a hlavový pás tak, aby tvárová bariéra optimálne priliehala k tvári. Skontrolujte, či medzi kožou a tvárovou bariérou nie sú voľne viditeľné medzery. Ak zistíte medzery, upravujte nastavenie zariadenia, kým ich neodstránite. Teraz ste pripravení vstúpiť do kontaminovanej oblasti. Poznámka: Ak počas bežných pracovných podmienok znie výstražný zvukový signál, znamená to, že do štítu dýchacieho prístroja neprúdi dostatok vzduchu – okamžite opusťte kontaminovanú oblasť, potom odoberte štít a zvýšte vstupný tlak na vhodnú úroveň.

Výmena hadice na prívod vzduchu a zostavy rozvádzača (všetky modely):

- Ak je hadica na prívod vzduchu (5) opotrebovaná alebo poškodená, musíte ju vymeniť, aby nedošlo k úniku vzduchu.
- Odpojte hadicu od bodu pripojenia (je zasunutá do drážky na zadnej strane hlavovej časti a prichytená na dvoch priehľadných prichytných kolíkoch) a po odobratí krytu vyberte rozvádzač zo zahnutého držáka umiestneného v strede.
- Založte novú zostavu, pričom opatrne zasuňte penový rozvádzač do zahnutého držáka a prichyťte kryt späť na miesto.
- Znovu pripojte hadicu na prívod vzduchu k štítu alebo rámu pomocou dvoch prichytných kolíkov, pričom skontrolujte, či hadica zapadá do drážky v hlavovej časti.

Výmena krytov štítu určených na jedno použitie (všetky modely):

- Nasuňte kryt štítu (9/10/11) na kovové výstupky na oboch stranách štítu.

Výmena štítu (modely DAVK-000*E & DAWK-4001E):

- Uvoľnite hadicu na prívod vzduchu do štítu (5) z čelovej časti.
- Podržte čelovú časť a palcom a ukazovákom pevne stlačte hornú časť štítu (6) z vonkajšej strany smerom dnu.
- Uvoľnite prichytné výrezy na štíte z kolíkov čelovej časti, ktoré sa nachádzajú po oboch stranách.
- Ak chcete hadicu na prívod vzduchu do štítu použiť znova, odpojte hadicu od vnútornej časti štítu, pričom ju opatrne vytiahnite z dvoch priehľadných prichytných kolíkov, v opačnom prípade zlikvidujte štít aj hadicu.
- Pri opätovnom zmontovaní prevlečte RV konektor smerom nahor cez otvor v penovom štíte.
- Upevnite hadicu na prívod vzduchu do štítu k štítu pomocou dvoch priehľadných prichytných kolíkov a ohnutého držáka umiestneného v strede.
- Zasuňte modré kolíky čelovej časti do výrezov v hornej časti štítu a pevne ich zatlačte, otočte smerom k čelovej časti a zaistite na mieste.

Výmena kazety s tvárovou bariérou (modely DMAK-002*E & DAWK-4011E):

- Uchopte prístroj Airvisor obrátený dolnou časťou nahor celou rukou a držte ho za lisovaný rám.
- Voľnou rukou uchopte dolnú časť kazety s tvárovou bariérou a jedným rýchlym pohybom ju odoberte zo štítu.
- Priložte náhradnú kazetu (12, 14) k štítu.
- Prichyťte kazetu na rám štítu, pričom začnite od jedného konca a postupujte pozdĺž rámu. Skontrolujte, či sa voľné konce tkaninovej časti zasunuli do hlavového pásu, potom prehnite vonkajšiu časť hlavového pásu smerom nadol a znovu prichyťte tvárovú bariéru pomocou patentných gombíkov – ak máte pochybnosti, pozrite si pred demontážou existujúce zostavenie.
- Kazetu vymieňajte vždy, keď vidíte, že je poškodená alebo zanesená prachom alebo nečistotou.

Výmena štítu (modely DMAK-002*E & DAWK-4011E):

- Skontrolujte penový tesniaci pás, či nie je poškodený, a podľa potreby ho vymeňte.
- Odoberte štít, pričom na neho z boku zatlačte.
- Výstupok po stranách štítu nasuňte do drážky, do ktorej je zasunutý štít, pričom skontrolujte, či sa horná časť nachádza v drážke čelovej časti.
- Zasuňte ohnutý okraj štítu (7) do drážky a nakoniec zasuňte dolné výstupky do drážok bradovej časti.

Výmena/montáž zvracieho filtra (iba zvracie súpravy)

DAWK-4001E:

- Odskrutkujte skrutky upínača na vnútornej strane plášt'a.
- Vyberte krycie dosky a filter
- Filter podľa potreby vymeňte
- Upínač a skrutky nasadte späť na miesto.

DAWK-4011E:

Pri zvraciacich súpravách radu W je poistný systém okienka prístupný z vonkajšej strany zvracieho plášt'a po odstránení bledomodrého vonkajšieho krytu. Zostavy tónovaného skla sú na mieste upevnené pomocou pružného upínacieho systému.

Výmena uhlíkovej kazety:



Uhlíková kazeta (19) sa má meniť, keď je cítiť zápach alebo po 1 000 hodinách používania (maximálne).

- Odpojte súpravu na pás od prívodu vzduchu, odoberte všetky prípojné hadice a tri prichytné skrutky.
- Zostavu regulátora vyklopte smerom dopredu a odoberte a otočte súpravu na pás, aby ste mohli odobrať uhlíkovú kazetu.
- Zložte tesniacie krúžky na hornú a dolnú časť náhradnej kazety.
- Zasuňte ju do krytu a umiestnite čierny výstupok na zostave regulátora do drážky v dolnej polovici krytu súpravy na pás.
- Znovu zaskrutkujte skrutky a pripojte prívod vzduchu.
- Skontrolujte, či neuniká vzduch.



Pri montáži náhradných dielov používajte iba diely od spoločnosti Honeywell, aby ste zachovali optimálnu ochranu.

ČISTENIE A DEZINFEKCIA PO KAŽDOM POUŽITÍ

- Prach a nečistotu odstráňte z prístroja pomocou tkaniny navlhčenej miernym dezinfekčným prostriedkom alebo roztokom s tekutým mydlom.
- Zariadenie neponárajte.
- Nepoužívajte rozpúšťadlá ani neriedený čistiaci prostriedok, ktoré by mohli zariadenie poškodiť.
- Nepoužívajte čistiace výrobky s drsným povrchom, ktoré by mohli poškodiť povrch zariadenia alebo poškríbať štít.
- Nechajte zariadenie úplne vyschnúť na dobre vetranom mieste mimo priameho slnečného svetla a zdrojov vysokej teploty alebo sálavého tepla.
- Po vyčistení a dezinfekcii umiestnite zariadenie do úložného vaku (28).



- Kvalita stlačeného vzduchu privádzaného do výrobkov radu Airvisor 2 musí z hľadiska dýchateľnosti zodpovedať norme EN 12021.
- V záujme ochrany pred namázaním vzduchu v zariadení pri nízkych teplotách zabezpečte reguláciu obsahu vlhkosti v dýchanom vzduchu v rámci limitov stanovených normou EN 12021.
- Špecifickú pozornosť venujte tomu, aby ste nepripojili zariadenie k iným vzduchovým systémom na pracovisku, ktoré privádzajú plyny alebo vzduch s inou kvalitou dýchateľnosti.
- Zariadenie sa nemá pripájať k prívodu kyslíka ani vzduchu obohateného kyslíkom.
- Ak sú k systému na dodávanie vzduchu pripojení viacerí používatelia, zabezpečte, aby mal systém dostatočnú kapacitu na zásobovanie každého používateľa.
- Schválenie výrobku zahŕňa používanie vzduchovej hadice BlueLine (štandardné zariadenie Airvisor 2) alebo zelenej hadice (Airvisor 2 DAC) od spoločnosti Honeywell a konektorov High Flow. Nepoužívajte iný typ hadice ani neupravujte hadice určené na použitie so zariadením.
- Maximálna dĺžka prívodnej hadice je 10 metrov, pričom musí tvoriť jednu plynulú hadicu. Kratšie hadice sa nemajú navzájom spájať tak, aby sa dosiahla maximálna dĺžka.
- Maximálny (nominálny) prevádzkový tlak v hadiciach na prívod stlačeného vzduchu od spoločnosti Honeywell je 10 barov.
- Zariadenie nie je vhodné na použitie v oblastiach s teplotou okolia vyššou ako 35 °C. Nenechávajte zariadenie v lakovacej kabíne so zapnutým programom sušenia.
- Zariadenie sa nemá používať v podmienkach, v ktorých by používateľ utrpel nezvratné poškodenie zdravia, ak by nebol chránený, ani v prostrediach s nedostatkom kyslíka.
- Pri vysokej intenzite práce môže pri silných vdychoch vzniknúť v hlavovej časti podtlak.
- V kontaminovanom prostredí skontrolujte, či je štít zaistený v spustenej polohe, a ak máte podozrenie, že došlo k poruche alebo ak zaznie výstražný zvukový signál, okamžite opustite nebezpečnú oblasť.
- Ochrana pred roztaveným kovom poskytujú iba kryty štítu určené na jedno použitie.
- Prípadné označenie písmenom „F1“ znamená, že zariadenie a hadica na prívod stlačeného vzduchu sa môžu používať v prostredí, kde môže dôjsť k vznieteniu.
- V určitých vysoko toxických prostrediach nemusí zariadenie poskytovať primeranú ochranu. Používateľ nesie zodpovednosť za posúdenie vhodnosti zariadenia na vykonávanú prácu a pre konkrétneho používateľa. Usmernenie vám poskytnú miestne právne normy.

Minimálny prívodný tlak na vstupe hadice na prívod stlačeného vzduchu:

		Prívodný tlak v baroch (psi)	
		DAVK-0001E DMAK-0021E	DAVK-0003E, 0004E DMAK-0023E, 0024E DAWK-4001E, 4011E
Otvor prívodnej hadice (mm)	Dĺžka hadice (m)		
	8	3,5	5,3 baru (77 psi)
		7,5	4,5 baru (61 psi)
		10	4,6 baru (63 psi)
			4,7 baru (64 psi)
		5,4 baru (79 psi)	
		5,5 baru (80 psi)	



- Maximálna dĺžka prívodnej hadice 10 metrov.
- Ak v prípade modelov DAVK-0001E a DMAK-0021E kedykoľvek počas práce s pomocným nástrojom alebo striekacou pištoľou zaznie výstražný zvukový signál, zvyšujte prívodný tlak, kým sa výstražný signál nevypne. Týmto sa zabezpečí dostatok vzduchu v hlavovej časti a zachovanie vašej bezpečnosti.

TECHNICKÉ INFORMÁCIE

Certifikácia/Schválenie	Schválené označenie CE (CE 0194)
Norma/Súlad	EN 14594:2005 (nízke zaťaženie triedy A)
Základné ochranné faktory	Trieda 3 = 200 modely DAWK Trieda 4 = modely 2 000 DAVK a DMAK
Štít: Chemicky odolný Odolný voči nárazu	EN 166.2.F EN 166.2.B.9
Minimálny menovitý prietok stanovený výrobcom	260 l/min
Maximálny prietok	290 l/min
Prevádzkový tlak	4,5 baru (61 psi) až 7,0 baru (102 psi)
Maximálna prevádzková teplota	35°C
Uhlíková kazeta	Vymeňte po 1 000 hodinách alebo ak je vo vnútri hlavovej časti cítiť zápach

OCHRANNÉ FAKTORY

Priradený ochranný faktor (APF) hodnoty 40 znamená, že dýchací prístroj možno použiť v prostrediach s kontamináciou rovnou max. 40-násobku expozičného limitu na pracovisku.

V iných zemepisných oblastiach sa riadte vnútroštátnymi alebo regionálnymi nariadeniami alebo usmerneniami, ktoré upravujú hodnotu ochranného faktora povolenú pri výbere prostriedkov na ochranu dýchacích ciest.

DÝCHACIE SYSTÉMY AIRVISOR

Č. položky	Číslo dielu	Popis
1013932	DAVK-0001E	Airvisor 2 – Súprava na striekanie farieb
1013934	DAVK-0003E	Airvisor 2 – Chemická súprava
1013935	DAVK-0004E	Airvisor 2 – Priemyselná súprava
1013938	DMAK-0021E	Airvisor 2 MV – Súprava na striekanie farieb
1013939	DMAK-0023E	Airvisor 2 MV – Chemická súprava
1013980	DMAK-0024E	Airvisor 2 MV – Priemyselná súprava
1013983	DAWK-4001E	Airvisor 2 – zväracia súprava radu FV
1013987	DAWK-4011E	Airvisor 2 – zväracia súprava radu W
1765058	DAVK-0001E-DAC	Airvisor 2 – Súprava na striekanie farieb s dvojitým konektorom
1765059	DAVK-0003E-DAC	Airvisor 2 – Chemická súprava s dvojitým konektorom
1765060	DAVK-0004E-DAC	Airvisor 2 – Priemyselná súprava s dvojitým konektorom
1765061	DMAK-0021E-DAC	Airvisor 2 MV – Súprava na striekanie farieb s dvojitým konektorom
1765062	DMAK-0023E-DAC	Airvisor 2 MV – Chemická súprava s dvojitým konektorom
1765063	DMAK-0024E-DAC	Airvisor 2 MV – Priemyselná súprava s dvojitým konektorom
1765064	DAWK-4001E-DAC	Airvisor 2 – zväracia súprava radu FV s dvojitým konektorom
1765065	DAWK-4011E-DAC	Airvisor 2 – zväracia súprava radu W s dvojitým konektorom

Náhradné hlavové časti (komplet):

1013936	DAVK-0051E	Na použitie s modelom DAVK-0001/03E
1013937	DAVK-0052E	Na použitie s modelom DAVK-0004E
1013981	DMAK-0071E	Na použitie s modelom DMAK-0021/23E
1013982	DMAK-0072E	Na použitie s modelom DMAK-0024E
1013986	DAWS-4101E	Na použitie s modelom DAWK-4001E
1013988	DAWS-4201E	Na použitie s modelom DAWK-4011E

Náhradné súpravy na pás (komplet):

1013989	DAVW-1001E	Na použitie s modelmi DAVK-0001E a DMAK-0021E
1013990	DAVW-1003E	Na použitie s modelmi DAVK-0003/04E a DMAK-0023/24E a DAWK-4001/11E
1765066	DAVW-1001E-DAC	Na použitie s modelmi DAVK-0001E-DAC a DMAK-0021E-DAC
1765067	DAVW-1003E-DAC	Na použitie s modelmi DAVK-0003/04E-DAC a DMAK-0023/24E-DAC a DAWK-4001/11E-DAC

Náhradné diely a príslušenstvo (podľa nákresu výrobku):

Č.	Č. položky	Popis
1	1028821	Čelová časť a hlavový pás pre modely Airvisor 2 DAVK
2	1028822	Čelová časť a hlavový pás pre modely Airvisor 2 MV DAVK
3	1028823	Zostava hlavového pásu pre zväračiu súpravu Airvisor 2 radu FV
4	1028824	Čelová časť a hlavový pás pre zväračiu súpravu Airvisor 2 radu W
5	1028825	Prívodná hadica a zostava rozvádzača pre všetky modely zariadenia Airvisor 2
6	1028826	Acetátový štít (chemicky odolný) pre model DAVK-0001/03E
6	1028827	Polykarbónový štít (chemicky odolný) pre model DAVK-0004E
7	1001775	Acetátový štít (chemicky odolný) DMAK-0021/23E (balenie po 5 ks)
7	1001774	Polykarbónový štít (chemicky odolný) DMAK-0024E (balenie po 5 ks)
	1028870	Tesniace pásy na štít pre položku 7 (balenie po 10 ks)
8	1028828	Polykarbonátový vnútorný štít (odolný voči nárazom) pre model DAWK-4001E
9	1001732	Kryty štítu určené na jedno použitie pre všetky modely DAVK (balenie po 10 ks)
9	1001731	Kryty štítu určené na jedno použitie pre všetky modely DAVK (balenie po 50 ks)
10	1001778	Kryty štítu určené na jedno použitie pre všetky modely DMAK (balenie po 10 ks)
10	1001779	Kryty štítu určené na jedno použitie pre všetky modely DMAK (balenie po 50 ks)
11	1001749	Kryty štítu určené na jedno použitie pre model DAWK-4001E (balenie po 10 ks)
12	1013994	Kazeta s tkaninovou tvárovou bariérou pre modely DMAK (balenie po 5 ks)
13	1001748	Zostava tkaninovej tvárovej bariéry pre model DAWK-4001E
14	1013994	Kazeta s tkaninovou tvárovou bariérou pre model DAWK-4011E (balenie po 5 ks)
15	1001750	Zväračiaci plášť pre model DAWK-4001E
16	1005103	Zväračiaci plášť pre model DAWK-4011E
17	1001725	Miniaturný rýchlovyvíjací konektor High Flow (samica)
18	1028829	Airvisor 2 – Zostava regulátora pre všetky modely okrem modelov DAC
18	1765068	Airvisor 2 – Zostava regulátora pre všetky modely DAC
19	1001672	Uhlíková kazeta pre všetky modely
20	1001674	Kryt zostavy na pás a tkaninový pás
21	1028830	Airvisor 2 (okrem modelov DAC) – Špeciálny rýchlovyvíjací konektor High Flow (samec)
21	1765069	Airvisor 2 (modely DAC) – Špeciálny rýchlovyvíjací poistný konektor High Flow (samec)
22	1028831	Airvisor 2 – Rýchlovyvíjací konektor High Flow (samica)
23	1001726	Hadica BlueLine na prívod vzduchu 3,5 m (okrem modelov DAC Airvisor 2)
23	1001727	Hadica BlueLine na prívod vzduchu 7,5 m (okrem modelov DAC Airvisor 2)
23	1004716	Hadica BlueLine na prívod vzduchu 10 m (okrem modelov DAC Airvisor 2)
23	1765070	Zelená hadica na prívod vzduchu 3,5 m (modelov DAC Airvisor 2)
23	1765071	Zelená hadica na prívod vzduchu 7,5 m (modelov DAC Airvisor 2)
23	1765072	Zelená hadica na prívod vzduchu 10 m (modelov DAC Airvisor 2)
24	1001683	Vzduchová hadica striekacej pištole (1,2 m) pre modely DAVK-0001E a DMAK-0021E
25	1001733	Látková kapucňa určená na jedno použitie pre všetky modely DAVK a DMAK (balenie po 5 ks)
26	1001676	Látková pokrývka hlavy a krku určená na jedno použitie pre všetky modely DAVK a DMAK (balenie po 5 ks)
27	1001754	Ohňuvzdorná pokrývka hlavy a krku na použitie s modelom DAWK-4011E
28	1001738	Látkový úložný vak pre všetky modely

**NAVODILA ZA UPORABO RESPIRATORJA Z DOVODOM ZRAKA
PROSIMO, OBRDŽITE JIH ZA MOREBITNE POTREBE V PRIHODNJE**



Ne uporabljajte te opreme, preden preberete ta navodila in se udeležite šolanja o izdelku.

NAVODILA ZA UPORABO IN VZDRŽEVANJE



- Stisnjen zrak, ki se dovaja družini izdelkov Airvisor 2, mora biti kakovosti za dihalne aparate v skladu z EN 12021. Za ustrezno skladnost priporoča Honeywell uporabo filtrskih sistemov Clearflow. Kakovost zraka je treba periodično kontrolirati z uporabo primerne opreme za preizkušanje. Preden vstopite v delovno področje upoštevajte naslednja navodila.
- Modeli Airvisor 2 DAC (z dvojno delujočimi spojkami) uvajajo posebne dvojno delujoče priključke za oskrbo s stisnjenim zrakom, s čim nudijo poseben format povezav in dodatno zaščito pred nepričakovanimi odklopi povezav.

PREGLEDI PRED UPORABO

- Preverite delovanje opozorilne piščalke, s čimer se prepričate, da se v respirator dovaja pravilna količina zraka (glej spodnja navodila).
- Vso opremo pregledajte na poškodbe, še posebej pozornost cev, dovajalno cev vizirja in obrazno masko.
- Respiratorja ne uporabljajte, če sta obrazna maska ali difuzor na cevi za dovod zraka poškodovana, saj je zaradi tega zaščita okrnjena.
- Preverite, ali vam vizir nudi dobro vidljivost.

PRITRJEVANJE OPREME

- Pritrdite enoto na pasu okrog pasu in jo prilagodite, da se bo udobno prilegala. Če je potrebno, si namestite kapuco iz blaga (25) in nato enoto z vizirjem.
- Vizir (6, 7, 8) imejte privzdignjen in nastavite trakove preko čela in okrog glave, da se bodo tesno prilegali.
- Konec dovodne cevi za zrak za vizir (5) vtaknite v miniurni priključek High Flow s hitro spojko (17).
- Izberite zračno cev (23) primerne dolžine - do 10 metrov - in priključite High Flow QR priključek na cevi na vstopno vtičnico (21) na enoti s pasom.
- Drugi konec cevi povežite z oskrbo s filtriranim zrakom.



Ko uporabljate modele Airvisor 2 DAC, uporabite zeleno cev za oskrbo z zrakom. Pri standardnih modelih Airvisor 2 uporabite modre cevi.

Po potrebi priključite orodje s pogonom za na zrak (24) v priključek za zrak (22) na enoti za pasom.

Odprite oskrbo z zrakom in nastavite tlak, da bo na enoti za pasom med 4,5 bar (61 psi) in 7 bar (102 psi) (glej preglednico vhodnega tlaka na drugi strani). Preverite, ali zrak kje pušča. Če zaslišite opozorilno piščalko, povišajte vhodni tlak, dokler zvok ne preneha. Če z zvišanjem tlaka piščalka ne neha piskati, zaprite oskrbo z zrakom in pričnite znova, potem ko ste prilagodili nastavev tlaka.

Upoštevajte, da če se seta Airvisor 2 in Airvisor 2 MV uporabljata skupaj z zračno gnanim orodjem ali pršilno pištolo, potrebujeta večji vhodni tlak (zato nastavitev tlaka še enkrat preverite). Pri takem delu zaženite orodje, preden si nadenete respirator - če se pod temi pogoji oglasi opozorilna piščalka, to pomeni, da ni dovolj zraka za delovanje vizirja z respiratorjem –nemudoma zapustite kontaminirano področje, nato snemite vizir - vhodni tlak nastavite na primerno vrednost.

Spustite vizir in po potrebi prilagodite napetost čelnega traku in traku okrog glave, da zagotovite optimalno prileganje obrazne maske. Preverite, da ni očitno vidnih rež med kožo in obrazno masko. Če odkrijete reže, tako dolgo nastavljajte trakove, dokler reže niso odpravljene. Zdaj ste pripravljeni za vstop v kontaminirano področje. Upoštevajte: če se pod normalnimi delovnimi pogoji oglasi opozorilna piščalka, to pomeni, da ni dovolj zraka za delovanje vizirja z respiratorjem –nemudoma zapustite kontaminirano področje, nato snemite vizir - vhodni tlak nastavite na primerno vrednost.

Zamenjava cevi za oskrbo z zrakom in difuzorske enote (vsi modeli):

- Če je cev za oskrbo z zrakom (5) obrabljena ali poškodovana, jo zamenjajte, da preprečite puščanje.
- Cev snemite s pritrdilnih mest (vstavljena je v žleb na zadnji strani enote na glavi in nameščena v dve prozorni pridrževalni kljukici) in izvlecite difuzor iz ukrivljenega držala, ki je nameščeno v sredini, potem ko ste sneli pokrovček.
- Namestite novo enoto, tako da previdno vstavite penasti difuzor v ukrivljeno držalo ter nato namestite pokrovček nazaj na svoje mesto.
- Ponovno pritrdite cev za oskrbo vizirja/okvirja z zrakom z uporabo dveh pridrževalnih kljukic, pri čemer preverite, ali je cev pravilno vstavljena v žleb na naglavni enoti.

Zamenjava stekla vizirja za enkratno uporabo (pri vseh modelih):

- Namestite steklo vizirja (9/10/11) na kovinske zatiče na obeh straneh vizirja.

Zamenjava vizirja (pri modelih DAVK-000*E & DAWK-4001E):

- Odklopite cev za oskrbo vizirja z zrakom (5) s čelne zaščite.
- Ko držite čelno zaščito, s palcem in kazalcem močno pritisnite zgornji del vizirja (6) od zunaj navznoter.
- Snemite odprtine za pritrditev s kljukic na čelni zaščiti na obeh straneh.
- Če želite cev za oskrbo vizirja z zrakom ponovno uporabiti, iz notranjosti vizirja odklopite cev, tako da nežno izvlecete obe pridrževalni kljukici, v nasprotnem pa zavrzite oboje, vizir in cev.
- Pri ponovni sestavi vstavite QR priključek cevi za zrak navzgor skozi luknjo v peni vizirja.
- Vstavite cev za oskrbo vizirja z zrakom v vizir z dvema prozornima pridrževalnima kljukicama in ukrivljenim držalom, pritrjenim v sredini.
- Ponovno namestite modri kljukici na čelni zaščiti v luknji na vrhu vizirja in trdno pritisnite, zavrtite proti čelni zaščiti in vstavite v svoj položaj.

Zamenjava kartuše obrazne maske (pri modelih DMAK-002*E & DAWK-4011E):

- Vizir, obrnjen navzdol, si položite na roko in držite za oblikovan okvir.
- S prosto roko primite spodnji del kartuše obrazne maske in jo potegnite iz vizirja s hitrim gibom.
- Nadomestno kartušo (12, 14) namestite pod vizir.
- Kartušo namestite na okvir vizirja, tako da pričnete na eni strani in nadaljujete po vsem obodu okvirja. Za dele iz blaga preverite, da so prosti konci znotraj traku za okrog glave, nato zunanjo stran traku za okrog glave zapognite navzven in ga pritrdite nazaj čez sebe z uporabo čepov s trdnim prilegom - če ste v dvomih, pred razstavljanjem preverite obstoječo montažo.
- Kartušo zamenjajte, če so prisotni kakršni koli znaki poškodb ali nabiranje prahu ali umazanije.

Zamenjava vizirja (pri modelih DMAK-002*E & DAWK-4011E):

- Preverite tesnilne trakove pene na poškodbe in jih po potrebi zamenjajte.
- Vizir odstranite tako, da pritisnete nanj s strani.
- Stransko sponko vizirja vstavite v žleb okvirja vizirja in se prepričajte, da je zgornji rob vstavljen v žleb na čelni zaščiti.
- Vstavite vizir (7) v okvir vizirja in na koncu zatakните spodnje sponke v žlebe na zaščiti brade.

Zamenjava/namestitve varilnega filtra (samo pri varilnih setih)

Model DAWK-4001E:

- Odvijte vijake objemke za lečo, ki se nahajajo na notranji strani školjke.
- Odstranite pokrovne plošče in filter.
- Po potrebi zamenjajte filtre.
- Namestite in pritrdite objemko in vijake.

Model DAWK-4011E:

Pri varilnem setu W-serije najdete dostop do držalnega sistema stekel vidne odprtine na zunanji strani varilne školjke, ko odstranite svetlo modro zunanje steklo. Enote zatemnjenih stekel vidne odprtine so pritrjene s prilagodljivim pripenjalnim sistemom.

Zamenjava kasete z aktivnim ogljem:



Če zaznate vonj ali po 1.000 urah (najkasneje), zamenjajte kaseto z aktivnim ogljem (19).

- Snemite pas z enote za oskrbo z zrakom, odklopite vse priključene cevi in odvijte tri pritrdilne vijake.
- Nagnite naprej in odstranite sklop regulatorja ter obrnite pas, da lahko snamete kartušo z aktivnim ogljem.
- V zgornji in spodnji del nadomestne kartuše vstavite O-tesnila.
- Vstavite kartušo v ohišje in namestite črn držaj na sklopu regulatorja v utor na spodnji polovici ohišja enote za pasom.
- Uvijte vijake in ponovno priključite cevi za oskrbo z zrakom.
- Preverite, ali kje pušča zrak.



Ko menjujete nadomestne dele, uporabljajte samo dele proizvajalca Honeywell, da zagotovite najvišjo stopnjo zaščite.


ČIŠČENJE IN DEZINFEKCIJA PO VSAKI UPORABI

- Iz aparata odstranite ves prah in umazanijo s krpo, namočeno v blago raztopino razkužila ali tekočega mila.
- Aparata ne namakajte.
- Ne uporabljajte topil ali nerazredčenih čistil, ki bi aparat lahko poškodovala.
- Ne uporabljajte abrazivnih čistil, ki bi lahko poškodovala aparat ali opraskala vizir.
- Aparat naj se popolnoma posuši v dobro prezračenem prostoru, stran od neposredne sončne svetlobe in virov visoke temperature ali toplotnega sevanja.
- Aparat po čiščenju in dezinfekciji shranite v vrečko (28).



- Stisnjen zrak, ki se dovaja družini izdelkov Airvisor 2, mora biti kakovosti za dihalne aparate v skladu z EN 12021.
- Zagotovite, da bo vsebnost vlage v zraku za dihanje v mejah, ki jih predpisuje EN 12021, da pri nizkih temperaturah zrak ne bo povzročal zamrzovanja aparata.
- Posebej pozorni bodite na to, da aparata ne priključite na drug sistem stisnjenega zraka na delovnem mestu, ki bi aparat oskrboval z drugimi plini, kot je zrak kakovosti za dihanje.
- Aparata ne priklaplajte na sistem oskrbe s kisikom ali s kisikom obogatenim zrakom.
- Kjer se na sistem za oskrbo z zrakom priključi več kot en uporabnik, preverite, ali ima sistem zadostno zmogljivost za oskrbo vseh uporabnikov.
- Uporaba cevi Honeywell BlueLine (standard ri Airvisor 2), ali zelenih cevi (Airvisor 2 DAC) ter priključkov High Flow je sestavni del dovoljenja, zato ne uporabljajte drugih cevi in ne modificirajte cevi, ki so namenjene za delo z vašim aparatom.
- Največja dolžina dovodnih cevi pri uporabi ene neprekinjene cevi za naprave razreda A je 10 metrov. Krajših cevi ne smete vezati med seboj, da bi pridobili največjo dolžino.
- Največji (nazivni) delovni tlak za cevi za oskrbo s stisnjenim zrakom Honeywell je 10 bar.
- Oprema ni primerna za uporabo v okoljih s temperaturo, višjo od 35°C, opreme ne puščajte v čistilnih kabinah, ki se spremenijo v sušilne peči.
- Opreme ne uporabljajte pod pogoji, kjer bi uporabnik brez zaščite lahko utrpel nepopravljive poškodbe in ne v okoljih s primanjkljajem kisika.
- Pri visokih delovnih obremenitvah lahko ob vdihu v vizirju nastane podtlak.
- Ko ste v kontaminiranem področju se prepričajte, da je vizir v spodnjem položaju in če posumite na nepravilnost pri delovanju ali če se oglasi opozorilna piščalka, se takoj umaknite iz nevarnega območja.
- Samo vizirji za enkratno uporabo nudijo zaščito pred raztaljeno kovino.
- Kjer je ustrezno, nakazuje oznaka F1, da se aparat in cev za oskrbo s stisnjenim zrakom lahko uporabljata v primerih tveganja pojava ognja.
- V nekaterih zdravju strupenih atmosferah aparat morda ne bo nudil zadostne zaščite. Preverjanje, ali je aparat primeren za predvideno delo in za posameznega uporabnika, je v odgovornosti uporabnika. Za nadaljnje napotke preverite lokalno zakonodajo.

Najnižji tlak oskrbe na vhodu cevi za oskrbo s stisnjenim zrakom:			
		Tlak oskrbe v bar (psi)	
Notranji premer oskrbovalne cevi (mm)	Dolžina cevi (m)	DAVK-0001E DMAK-0021E	DAVK-0003E, 0004E DMAK-0023E, 0024E DAWK-4001E, 4011E
8	3,5	5,3 bar (77 psi)	4,5 bar (61 psi)
	7,5		4,6 bar (63 psi)
	10	5,4 bar (79 psi)	4,7 bar (64 psi)
		5,5 bar (80 psi)	

	<ul style="list-style-type: none"> • Največja dolžina oskrbovalne cevi je 10 metrov. • Če se pri aparatih DAVK-0001E in DMAK-0021E kadarkoli med delovanjem pomožnega orodja ali pršilne pištole oglasi opozorilna piščalka, povečajte vstopni tlak, dokler piščalka ne preneha piskati. Tako zagotovite, da bo zadostna količina zraka dosegla vizir in da je vaša varnost ohranjena.
---	--

TEHNIČNE INFORMACIJE

Certifikati / dovoljenje	CE dovoljenje(CE 0194)
Standard / skladnost	EN 14594:2005 (razred A - lahka izvedba)
nazivni zaščitni faktorji	Razred 3 = 200 modeli DAWK Razred 4 = modeli 2.000 DAVK & DMAK
Vizir: Kemična obstojnost Obstojnost na udarec	EN 166.2.F EN 166.2.B.9
Najmanjši pretok, ki ga nastavi proizvajalec Največji pretok	260 l/min 290 l/min
Obratovalni tlak	4,5 bar (61 psi) do 7,0 bar (102 psi)
Maksimalna obratovalna temperatura	35°C
Kaseta z ogljenim filtrom	Zamenjajte po 1.000 urah ali če znotraj vizirja zaznate vonj

ZAŠČITNI FAKTORJI

Dodeljen zaščitni faktor (APF) 40 pomeni, da se respirator lahko uporablja v okoljih s kontaminacijo 40-krat večjo od mejne izpostavljenosti na delovnem mestu.

V drugih geografskih področjih upoštevajte regionalne predpise ali smernice, ki spremenijo vrednost dopustnega zaščitnega faktorja, ki ga morate upoštevati pri izbiri zaščite dihal.

DIHALNI SISTEMI AIRVISOR

Številka izdelka	Številka dela	Opis
1013932	DAVK-0001E	Airvisor 2 set za barvanje s pršenjem
1013934	DAVK-0003E	Airvisor 2 kemijski set
1013935	DAVK-0004E	Airvisor 2 industrijski set
1013938	DMAK-0021E	Airvisor 2 MV set za barvanje s pršenjem
1013939	DMAK-0023E	Airvisor 2 MV kemijski set
1013980	DMAK-0024E	Airvisor 2 MV industrijski set
1013983	DAWK-4001E	Airvisor 2 FV-serije varilni set
1013987	DAWK-4011E	Airvisor 2 W-serije varilni set
1765058	DAVK-0001E-DAC	Airvisor 2 set za barvanje s pršenjem z dvojno delujočimi priključki
1765059	DAVK-0003E-DAC	Airvisor 2 kemijski set z dvojno delujočimi priključki
1765060	DAVK-0004E-DAC	Airvisor 2 industrijski set z dvojno delujočimi priključki
1765061	DMAK-0021E-DAC	Airvisor 2 MV set za barvanje s pršenjem z dvojno delujočimi priključki
1765062	DMAK-0023E-DAC	Airvisor 2 MV kemijski set z dvojno delujočimi priključki
1765063	DMAK-0024E-DAC	Airvisor 2 MV industrijski set z dvojno delujočimi priključki
1765064	DAWK-4001E-DAC	Airvisor 2 FV-serije varilni set z dvojno delujočimi priključki
1765065	DAWK-4011E-DAC	Airvisor 2 W-serije z dvojno delujočimi priključki

Nadomestni vizirji (celotne enote):

1013936	DAVK-0051E	Za uporabo z DAVK-0001/03E
1013937	DAVK-0052E	Za uporabo z DAVK-0004E
1013981	DMAK-0071E	Za uporabo z DMAK-0021/23E
1013982	DMAK-0072E	Za uporabo z DMAK-0024E
1013986	DAWS-4101E	Za uporabo z DAWK-4001E
1013988	DAWS-4201E	Za uporabo z DAWK-4011E

Nadomestne enote za okrog pasu (celotne enote):

1013989	DAVW-1001E	Za uporabo z DAVK-0001E in DMAK-0021E
1013990	DAVW-1003E	Za uporabo z DAVK-0003/04E, DMAK-0023/24E in DAWK-4001/11E
1765066	DAVW-1001E-DAC	Za uporabo z DAVK-0001E-DAC in DMAK-0021E-DAC
1765067	DAVW-1003E-DAC	Za uporabo z DAVK-0003/04E-DAC, DMAK-0023/24E-DAC in DAWK-4001/11E-DAC

Nadomestni deli in pribor (kot je prikazano na risbi izdelka):

Št.	Številka izdelka	Opis
1	1028821	Čelna zaščita in trak okoli glave za modele Airvisor 2 DAVK
2	1028822	Čelna zaščita in trak okoli glave za modele Airvisor 2 MV DAVK
3	1028823	Enota z naglavnim trakom za Airvisor 2 FV-serije varilni set
4	1028824	Čelna zaščita in naglavni trak za Airvisor 2 W-serije varilni set
5	1028825	Cev za oskrbo z zrakom in difuzorska enota za vse modele Airvisor 2
6	1028826	Acetatni vizir (kemično obstojen) za uporabo z DAVK-0001/03E
6	1028827	Polikarbonatni vizir (odporen na udarce) za uporabo z DAVK-0004E
7	1001775	Acetatni vizir (kemično obstojen) za uporabo z DMAK-0021/23E (pakirano 5 kosov)
7	1001774	Polikarbonatni vizir (odporen na udarce) za uporabo z DMAK-0024E (pakirano 5 kosov)
	1028870	Tesnilni trakovi za uporabo z delom 7 (pakirano 10 kosov)
8	1028828	Polikarbonatni notranji vizir (odporen na udarce) za uporabo z DAWK-4001E
9	1001732	Pokrovi vizirja za enkratno uporabo za uporabo z vsemi modeli DAVK (pakirano 10 kosov)
9	1001731	Pokrovi vizirja za enkratno uporabo za uporabo z vsemi modeli DAVK (pakirano 50 kosov)
10	1001778	Pokrovi vizirja za enkratno uporabo za uporabo z vsemi modeli DMAK (pakirano 10 kosov)
10	1001779	Pokrovi vizirja za enkratno uporabo za uporabo z vsemi modeli DMAK (pakirano 50 kosov)
11	1001749	Pokrovi vizirja za enkratno uporabo za uporabo z DAWK-4001E (pakirano 10 kosov)
12	1013994	Kartuša iz blaga s tesnilom za obraz za modele DMAK (pakirano 5 kosov)
13	1001748	Enota iz blaga s tesnilom za obraz za DAWK-4001E
14	1013994	Kartuša iz blaga s tesnilom za obraz za DAWK-4011E (pakirano 5 kosov)
15	1001750	Varilna školjka za DAWK-4001E
16	1005103	Varilna školjka za DAWK-4011E
17	1001725	Miniaturna hitra spojka High Flow
18	1028829	Sklop regulatorja za vse modele Airvisor 2, razen za modele DAC
18	1765068	Sklop regulatorja za vse modele Airvisor 2 DAC
19	1001672	Kartuša z aktivnim ogljem za vse modele
20	1001674	Ohišje enote za pasom in pas iz blaga
21	1028830	Posebni High Flow vtikač za Airvisor 2, razen za modele DAC
21	1765069	Posebni High Flow vtikač za Airvisor 2 za modele DAC
22	1028831	Hitra spojka High Flow za Airvisor 2
23	1001726	Cev za oskrbo z zrakom Blueline dolžine 3,5m (za vse modele Airvisor 2 razen za DAC)
23	1001727	Cev za oskrbo z zrakom Blueline dolžine 7,5m (za vse modele Airvisor 2 razen za DAC)
23	1004716	Cev za oskrbo z zrakom Blueline dolžine 10m (za vse modele Airvisor 2 razen za DAC)
23	1765070	Zelena cev za oskrbo z zrakom dolžine 3,5m (za vse modele Airvisor 2 DAC)
23	1765071	Zelena cev za oskrbo z zrakom dolžine 7,5m (za vse modele Airvisor 2 DAC)
23	1765072	Zelena cev za oskrbo z zrakom dolžine 10m (za vse modele Airvisor 2 DAC)
24	1001683	cev za zrak za pršilno pištolo (1,2m) za uporabo z DAVK-0001E in DMAK-0021E
25	1001733	Kapuca iz blaga za enkratno uporabo za uporabo z vsemi modeli DAVK in DMAK (pakirano 5 kosov)
26	1001676	Kapuca iz blaga in pokrivalo za vrat za enkratno uporabo za uporabo z vsemi modeli DAVK in DMAK (pakirano 5 kosov)
27	1001754	Negorljiva kapuca in pokrivalo za vrat za uporabo z DAWK-4011E
28	1001738	Tekstilna vrečka za hranjenje opreme za vse modele

UPUTSTVA ZA UPOTREBU RESPIRATORA SA DOVODOM VAZDUHA SAČUVAJTE ZA BUDUĆU UPOTREBU



Nemojte da koristite opremu pre nego pročitate ova uputstva i prođete obuku za rukovanje proizvodom.

UPUTSTVA ZA UPOTREBU I ODRŽAVANJE



- **Komprimovani vazduh omogućen proizvodima serije Airvisor 2 treba da ima kvalitet disajnog vazduha koji udovoljava zahtevima norme EN 12021. Honeywell preporučuje upotrebu Clearflow sistema filtera da bi oprema ispunila sve zahteve. Kvalitet vazduha treba da se povremeno proverava pomoću odgovarajuće opreme za testiranje. Pre ulaska u radnu zonu, sledite smernice navedene u nastavku.**
- **Airvisor 2 DAC (spojnice dvostrukog dejstva) modeli imaju specifične spojnice dvostrukog dejstva za dovod komprimovanog vazduha, čime je omogućen specifičan oblik spoja i dodatna zaštita od neželjenih odspajanja.**

KONTROLE PRE UPOTREBE

- Proverite funkciju sirene za upozorenje da bi bili sigurni da je na respirator doveden odgovarajući volumen vazduha (vidi uputstva u nastavku).
- Proverite oštećenje kompletne opreme, posebno uzimajući u obzir crevo, cev za dovod vazduha na viziru i košuljicu za lice.
- Nemojte da koristite respirator ako je oštećena košuljica za lice ili difuzor na cevi za dovod vazduha jer će to da ugrozi bezbednost opreme.
- Pobrinite se da pokrov vizira omogućuje dobru vidljivost.

PODEŠAVANJE OPREME

- Učvrstite pojas oko struka i nameštite ga tako da je udoban. Po potrebi, nameštite tkaninastu kapuljaču (25) a zatim i vizir.
- Držite vizir (6, 7, 8) podignut, prilagodite krunastu i naglavnu traku da bi čvrsto stajala.
- Utaknite kraj cevi za dovod vazduha na viziru (5) u malenu utičnicu za veliki protok sa brzim otpuštanjem (17).
- Odaberite prikladnu dužinu creva vazduha (23), maksimalno 10 metara, i spojite utičnicu za veliki protok sa brzim otpuštanjem na ulazu vazduha (21) na sklopu pojasa oko struka.
- Drugi kraj spojite na dovod pročišćenog vazduha.



Kod upotrebe modela Airvisor 2 DAC koristite zeleno crevo za dovod vazduha. Plavo crevo koristite za standardne modele Airvisor 2.

Po potrebi, spojite pneumatski alat (24) na izlaz vazduha (22) na sklopu pojasa oko struka.

Uključite dovod vazduha i prilagodite pritisak tako da je između 4,5 (61 psi) i 7 bara (102 psi) na ulazu sklopa pojasa oko struka (pogledajte poledinu prikaza snabdevanog vazduha). Pobrinite se da nema propuštanja vazduha. Ako se oglašire upozorenja, povećajte ulazni pritisak dok se sirena ne isključi. Ako se sirena ne isključi nakon povećanja pritiska, zatvorite dovod vazduha i ponovo ga pokrenite nakon što prilagodite pritisak.

Ne zaboravite da kompleti opreme Airvisor 2 i Airvisor 2 MV korišćeni u kombinaciji sa pomoćnim pneumatskim alatima ili pištoljem za raspršivanje, zahtevaju više ulazne pritiske (zbog toga je potrebna dodatna provera). U tom slučaju alat treba da se koristi pre nošenja respiratora - ako se oglašire upozorenja u ovim uslovima, povećajte ulazni pritisak dok se ne prekine upozorenje. Time je obezbeđena dovoljna količina vazduha i za vizir respiratora i pomoćni alat ili pištolj za raspršivanje.

Spustite vizir i poduzmite potrebne prilagodbe na krunskoj i naglavnoj traci da bi omogućili optimalno nameštanje košuljice koja se stavlja oko lica. Proverite vidljive praznine između kože i košuljice za lice. U slučaju praznina, ponovo podesite uređaj dok se ne zatvore sve praznine. Sada ste spremni da pristupite području kontaminacije. Ne zaboravite: ako se tokom normalnih radnih uslova oglašire upozorenja, to znači da nije dovoljan protok vazduha do vizira respiratora –smesta napustite zonu kontaminacije, skinite vizir i povećajte ulazni pritisak do odgovarajućeg nivoa.

Zamena cevi za dovod vazduha i sklopa difuzora (svi modeli):

- Ako je cev za dovod vazduha (5) istrošena ili oštećena, treba da se zameni da bi se izbeglo propuštanje vazduha.
- Odvojite cev iz držača (nalazi se u utoru na stražnjoj strani naglavne maske te je postavljen na pridržnim klinovima) i izvadite difuzor iz centralnog, zakrivljenog držača nakon uklanjanja kapice.
- Ugradite novi sklop tako da pažljivo napunite difuzor pene na zakrivljenom držaču i vratite kapicu.
- Ponovo spojite cev za dovod vazduha na vizir/okvir uz pomoć dva pridržna klina i pobrinite se da stavite cev u otvor na naglavnoj maski.

Zamena jednokratnih pokrova vizira (svi modeli):

- Nameštite pokrov vizira (9/10/11) preko metalnih klinova na svakoj strani vizira.

Zamena vizira (modeli DAVK-000*E i DAWK-4001E):

- Odvojite cev za dovod vazduha na viziru (5) sa zaštite obrva.
- Dok držite zaštitu obrva, palcem i kažiprstom čvrsto pritisnite vrh vizira (6) sa spoljašnje strane prema unutra.
- Skinite žlebove na rupi klina vizira sa klinova zaštite obrva koji se nalaze na svakoj strani.
- Ako treba ponovo da se koristi cev za dovod vazduha na vizir, odvojite cev iz unutarnje strane vizira tako da pažljivo izvučete dva zadržna klina, a u suprotnom odložite vizir i cev u otpad.
- Kod ponovnog sklapanja, provucite spojnik cevi vazduha sa brzim otpuštanjem prema gore kroz rupu u peni vizira.
- Nameštite cev za dovod vazduha na vizir uz pomoć dva zadržna klina i centralnog, zakrivljenog držača.
- Premestite plave klinove zaštite za obrve u utore rupe klina na vrhu vizira, čvrsto pritisnite, okrenite prema zaštiti obrva i uglavite.

Zamena patrone košuljice za lice (modeli DMAK-002*E i DAWK-4011E):

- Stavite obrnuti Airvisor na ruku i držite za levani okvir.
- Slobodnom rukom držite dno uloška košuljice za lice i izvucite naglim pokretom iz vizira.
- Poravnajte rezervnu patronu (12, 14) ispod vizira.
- Počnite na jednom kraju, prelazite oko okvira i pričvrstite patronu na okvir vizira. Kod tekstilnih delova pobrinite se da slobodni krajevi prolaze unutar naglavne trake, a zatim prekopite spoljašnju stranu naglavne trake tako da preko njih stavite stražnju stranu pomoću pritisnih klinova - u slučaju dvojbe, pogledajte postojeću konfiguraciju pre rasklapanja.
- Patrona treba da se zameni kada god postoje tragovi oštećenja ili nakupljanja prašine ili prljavštine.

Zamena vizira (modeli DMAK-002*E i DAWK-4011E):

- Proverite oštećenje zaptivnih traka za penu, po potrebi zamenite.
- Uklonite vizir tako da ga pritisnete sa unutrašnje strane.
- Namestite bočni jezičak vizira u okolni utor vizira i pobrinite se da je gornji rub namešten u žleb zaštite obrva.
- Namestite vizir (7) na području zakrivljenja vizira i konačno umetnite donje jezičke u otore štitnika brade.

Zamena / postavljanje filtera za varenje (samo za komplete za varenje)

DAWK-4001E:

- Odrvite zavrtnje stezača za staklo unutar oklopa.
- Uklonite pokrivne ploče i filter.
- Zamenite filter ako je potrebno.
- Ponovo postavite stezač i zavrtnje.

DAWK-4011E:

U slučaju kompleta za varenje serije W, sistemu držača stakla se pristupa sa spoljne strane oklopa za varenje, nakon uklanjanja spoljašnjeg pokrova svetloplave boje. Sklopovi zatamnjenog stakla učvršćeni su sistemom fleksibilnih stezača.

Zamena patrone sa ugljenikom:



Patrona sa ugljenikom (19) treba da se promeni ako se otkrije miris ili nakon 1000 časova upotrebe (maksimalno).

- Odspojite pojas oko struka sa voda za snabdevanje vazduhom, uklonite sva priključna creva i tri pričvrtna šrafova.
- Nagnite prema napred i uklonite sklop regulatora te okrenite pojas oko struka da bi skinuli patronu sa ugljenikom.
- Namestite O-zaptivke na vrh i dno rezervne patrone.
- Umetnite kućište i premestite crnu stopicu na sklopu regulatora u utor na donjoj polovici kućišta pojasa oko struka.
- Ponovo namestite šrafove i spojite na dovod vazduha.
- Proverite da li dolazi do propuštanja vazduha.



Kod postavljanja rezervnih delova upotrebite samo delove Honeywell da bi omogućili maksimalnu bezbednost.

ČIŠĆENJE I DEZINFEKCIJA NAKON SVAKE UPOTREBE

- Uklonite prašinu i prljavštinu iz aparata vlažnom krpicom namočenom u blago dezinfekcijsko sredstvo ili sapunicu.
- Ne uranjajte aparat u tečnost.
- Nemojte da koristite rastvarač ni nerazređeni deterdžent koji bi mogao da ošteti aparat.
- Nemojte da koristite abrazivno sredstvo za čišćenje koje bi moglo da ošteti površinu aparata ili izgrebati vizir.
- Pričekajte da se osuši na dobro provetrenom mestu dalje od sunčevog svetla i izvora visoke temperature ili toplotne radijacije.
- Nakon čišćenja i dezinfekcije, stavite aparat u torbu za čuvanje (28).



- Komprimovani vazduh omogućen proizvodima serije Airvisor 2 treba da ima kvalitet vazduha za disanje koja ispunjava zahteve norme EN 12021.
- Pobrinite se da se sadržaj vlage u vazduhu koji se udiše proverí prema graničnim vrednostima navedenima u normi EN 12021 da bi izbegli zaleđivanje vazduha u aparatu pri niskim temperaturama.
- Posebno treba da se pazi da aparat nije priključen na dodatne sisteme snabdevanja vazduhom u radnoj zoni koji dovode gasove kvaliteta vazduha koja nije pogodna za disanje.
- Aparat ne sme da se spaja na dovod vazduha ili vazduha obogaćenog kiseonikom.
- Na mestima na kojima je više korisnika priključeno na sistem dovoda vazduha, pobrinite se da sistem ima dovoljan kapacitet za snabdevanje svakog korisnika.
- Upotreba Honeywell BlueLine creva za vazduh (standardni Airvisor 2) ili zelenog creva (Airvisor 2 DAC) i spojica za veliki protok zahteva odobrenje; nemojte da koristite nijedan drugi tip creva niti prilagođavati creva koja nisu navedena za upotrebu sa vašim aparatima.
- Maksimalna dužina creva za snabdevanje kod uređaja klase A je 10 metara, a sastoji se od jednog neprekinutog creva. Nije dozvoljeno da se kraća spajaju radi postizanja maksimalne dužine.
- Maksimalni (nominalni) radni pritisak za Honeywell creva za dovod komprimovanog vazduha je 10 bara.
- Nije prikladno za upotrebu u područjima okolne temperature preko 35 °C; pazite da ne ostavite opremu u kabini za prskanje kada se pretvori u peč za sušenje.
- Ne sme da se koristi u uslovima u kojima bi korisnik pretrpio nepovratnu štetu ako bi bio nezaštićen niti u okruženjima sa smanjenom koncentracijom kiseonika.
- U intenzivnim radnim uslovima unutarnji pritisak bi mogao da bude negativan pri maksimalnom protoku kod udisanja.
- U području kontaminacije pobrinite se da je vizir blokiran u spuštenoj poziciji i smesta napustite opasnu zonu ako posumnjate na neispravnost ili se oglasi sirena upozorenja.
- Zaštita od rastaljenog metala je omogućena samo kada se koriste jednokratni pokrovi vizira.
- Tamo gdje je prikladno, oznaka F1 pokazuje da aparat i cev za dovod komprimovanog vazduha mogu da se koriste u prilikama u kojima postoji opasnost od zapaljenja.
- Aparat možda neće moći da obezbedi odgovarajući zaštitu u uslovima vrlo toksičnih atmosfera. Korisnik je odgovoran da obezbedi prikladnost aparata za rad i pravilnu individualnu primenu. Smernice potražite od lokalnih nadležnih institucija.

Minimalni pritisci kod snabdevanja na ulazu creva za dovod komprimovanog vazduha:

		Pritisak kod snabdevanja, bar (psi)	
Provrć creva za snabdevanje (mm)	Dužina creva (m)	DAVK-0001E DMAK-0021E	DAVK-0003E, 0004E DMAK-0023E, 0024E DAWK-4001E, 4011E
8	3,5 7,5 10	5,3 bara (77 psi) 5,4 bara (79 psi) 5,5 bara (80 psi)	4,5 bara (61 psi) 4,6 bara (63 psi) 4,7 bara (64 psi)



- Maksimalna dužina creva za snabdevanje vazduhom je 10 metara.
- Kod modela DAVK-0001E i DMAK-0021E, ako se u bilo kojem momentu oglasi sirena upozorenja tokom rada pomoćnog alata ili pištolja za raspršivanje, povećajte ulazni pritisak dok se sirena ne isključi. Tako je obezbeđena dovoljna količina vazduha koja dolazi od naglavne maske i vaša bezbednost.

TEHNIČKE INFORMACIJE

Certifikati/Odobrenje	CE odobreno (CE 0194)
Standard/saglasnost sa regulativom	EN 14594:2005 (klasa A aparata kraćeg veka trajanja)
Nominalni faktori zaštite	Klasa 3 = 200 DAWK modeli Klasa 4 = modeli 2000 DAVK i DMAK
Vizir: Otporan na hemikalije Otporan na udarce	EN 166.2.F EN 166.2.B.9
Minimalni nominalni protok (prema proizvođaču) Maksimalni nominalni protok	260 l/min 290 l/min
Radni pritisak	4,5 bara (61 psi) do 7,0 bara (102 psi)
Maksimalna radna temperatura	35°C
Patrona sa ugljenikom	Zameniti nakon 1000 časova ili ako se unutar naglavne maske oseti miris

FAKTORI ZAŠTITE

Dodeljeni faktor zaštite (APF) 40 znači da respirator može da se koristi u područjima kontaminacije do 40 puta veće od praga izlaganja na radnom mestu.

U drugim geografskim područjima uzmite u obzir nacionalne ili regionalne propise ili smernice koje menjaju vrednost faktora zaštite koji možete da koristite prilikom odabira zaštite disanja.

SISTEMI RESPIRATORA AIRVISOR

Br. artikla	Kat. br.	Opis
1013932	DAVK-0001E	Airvisor 2 komplet za raspršivanje boje
1013934	DAVK-0003E	Airvisor 2 komplet za hemikalije
1013935	DAVK-0004E	Airvisor 2 komplet za industrijsku primenu
1013938	DMAK-0021E	Airvisor 2 MV komplet za raspršivanje boje
1013939	DMAK-0023E	Airvisor 2 MV komplet za hemikalije
1013980	DMAK-0024E	Airvisor 2 MV komplet za industrijsku primenu
1013983	DAWK-4001E	Airvisor 2 komplet za varenje serije FV
1013987	DAWK-4011E	Airvisor 2 komplet za varenje serije W
1765058	DAVK-0001E-DAC	Airvisor 2 komplet za raspršivanje boje sa spojnicom dvostrukog dejstva
1765059	DAVK-0003E-DAC	Airvisor 2 komplet za hemikalije sa spojnicom dvostrukog dejstva
1765060	DAVK-0004E-DAC	Airvisor 2 komplet za industrijsku primenu sa spojnicom dvostrukog dejstva
1765061	DMAK-0021E-DAC	Airvisor 2 MV komplet za raspršivanje boje sa spojnicom dvostrukog dejstva
1765062	DMAK-0023E-DAC	Airvisor 2 MV komplet za hemikalije sa spojnicom dvostrukog dejstva
1765063	DMAK-0024E-DAC	Airvisor 2 MV komplet za industrijsku primenu sa spojnicom dvostrukog dejstva
1765064	DAWK-4001E-DAC	Airvisor 2 komplet za varenje serije FV sa spojnicom dvostrukog dejstva
1765065	DAWK-4011E-DAC	Airvisor 2 komplet za varenje serije W sa spojnicom dvostrukog dejstva

Rezervne naglavne maske (kompletne):

1013936	DAVK-0051E	Za upotrebu sa modelom DAVK-0001/03E
1013937	DAVK-0052E	Za upotrebu sa modelom DAVK-0004E
1013981	DMAK-0071E	Za upotrebu sa modelom DMAK-0021/23E
1013982	DMAK-0072E	Za upotrebu sa modelom DMAK-0024E
1013986	DAWS-4101E	Za upotrebu sa DAWK-4001E
1013988	DAWS-4201E	Za upotrebu sa DAWK-4011E

Rezervni pojasevi oko struka (kompletni):

1013989	DAVV-1001E	Za upotrebu sa modelima DAVK-0001E i DMAK-0021E
1013990	DAVV-1003E	Za upotrebu sa modelima DAVK-0003/04E i DMAK-0023/24E i DAWK-4001/11E
1765066	DAVV-1001E-DAC	Za upotrebu sa modelima DAVK-0001E-DAC i DMAK-0021E-DAC
1765067	DAVV-1003E-DAC	Za upotrebu sa modelima DAVK-0003/04E-DAC i DMAK-0023/24E-DAC i DAWK-4001/11E-DAC

Rezervni delovi i pribor (prikazani na skicama proizvoda):

Br.	Br. artikla	Opis
1	1028821	Zaštita obrva i naglavna traka za modele Airvisor 2 DAVK
2	1028822	Zaštita obrva i naglavna traka za modele Airvisor 2 MV DMAK
3	1028823	Sklop naglavne trake za Airvisor 2 komplet za varenje serije FV
4	1028824	Zaštita obrva i naglavna traka zar Airvisor 2 komplet za varenje serije W
5	1028825	Cev za dovod vazduha i sklop difuzora za sve modele Airvisor 2
6	1028826	Vizir od acetata (otporan na hemikalije) za upotrebu sa modelom DAVK-0001/03E
6	1028827	Vizir od polikarbonata (otporan na udarce) za upotrebu sa modelom DAVK-0004E
7	1001775	Vizir od acetata (otporan na hemikalije) za upotrebu sa modelom DMAK-0021/23E (paketa sa 5 komada)
7	1001774	Vizir od polikarbonata (otporan na udarce) za upotrebu sa modelom DMAK-0024E (paketa sa 5 komada)
	1028870	Zaptivne trake za vizir za upotrebu sa artiklom 7 (paketa sa 10 komada)
8	1028828	Unutrašnji vizir od polikarbonata (otporan na udarce) za upotrebu sa modelom DAWK-4001E
9	1001732	Jednokratni pokrovi vizira za upotrebu sa svim modelima DAVK (paketa sa 10 komada)
9	1001731	Jednokratni pokrovi vizira za upotrebu sa svim modelima DAVK (paketa sa 50 komada)
10	1001778	Jednokratni pokrovi vizira za upotrebu sa svim modelima DMAK (paketa sa 10 komada)
10	1001779	Jednokratni pokrovi vizira za upotrebu sa svim modelima DMAK (paketa sa 50 komada)
11	1001749	Jednokratni pokrovi vizira za upotrebu sa modelom DAWK-4001E (paketa sa 10 komada)
12	1013994	Patrona za tkaninu za zatvaranje lica za modele DMAK (paketa sa 5 komada)
13	1001748	Sklop tkanine za zatvaranje lica za model DAWK-4001E
14	1013994	Patrona za tkaninu za zatvaranje lica za model DAWK-4011E (paketa sa 5 kom.)
15	1001750	Oklop za varenje za model DAWK-4001E
16	1005103	Oklop za varenje za model DAWK-4011E
17	1001725	Mala utičnica za veliki protok sa brzim otpuštanjem
18	1028829	Airvisor 2 sklop regulatora za sve modele koji nisu DAC
18	1765068	Airvisor 2 sklop regulatora za modele DAC
19	1001672	Patrona sa ugljenikom za sve modele
20	1001674	Kućište pojasa oko struka i pojasa od tkanine
21	1028830	Airvisor 2 (nije DAC) poseban utikač za veliki protok sa brzim otpuštanjem
21	1765069	Airvisor 2 (DAC) poseban dvoručni utikač za veliki protok sa brzim otpuštanjem
22	1028831	Airvisor 2 utičnica za veliki protok sa brzim otpuštanjem
23	1001726	Blueline crevo za dovod vazduha od 3,5 m (ne za modele DAC Airvisor 2)
23	1001727	Blueline crevo za dovod vazduha od 7,5m (ne za modele DAC Airvisor 2)
23	1004716	Blueline crevo za dovod vazduha od 10m (ne za modele DAC Airvisor 2)
23	1765070	Zeleno crevo za dovod vazduha od 3,5 m (za modele DAC Airvisor 2)
23	1765071	Zeleno crevo za dovod vazduha od 7,5 m (za modele DAC Airvisor 2)
23	1765072	Zeleno crevo za dovod vazduha od 10 m (za modele DAC Airvisor 2)
24	1001683	Crevo za vazduh pištolja za raspršivanje (1,2 m) za upotrebu na modelima DAVK-0001E i DMAK-0021E
25	1001733	Jednokratna tkaninasta kapuljača za upotrebu sa svim modelima DAVK i DMAK (paketa sa 5 komada)
26	1001676	Jednokratna tkaninasta kapuljača za glavu i vrat za upotrebu sa svim modelima DAVK i DMAK (paketa sa 5 komada)
27	1001754	Vatrootporna kapuljača za glavu i vrat za upotrebu sa modelom DAWK-4011E
28	1001738	Tkaninasta torba za čuvanje svih modela

BRUKSANVISNING FÖR FLÄKTDRIVET ANDNINGSSKYDD SPARAS FÖR FRAMTIDA BRUK



Använd inte utrustningen innan du har läst dessa instruktioner och har fått utbildning i dess användande.

ANVISNINGAR FÖR BRUK OCH UNDERHÅLL



- Den komprimerade luft som matas till produkterna i Airvisor 2 serien måste vara av sådan kvalitet att den uppfyller kraven i EN 12021. Honeywell rekommenderar att man använder Clearflow Filtersystem för att uppfylla kraven. Luftkvaliteten bör kontrolleras med jämna mellanrum med lämplig utrustning. Följ följande rutiner innan du går in i arbetsutrymmet.
- Airvisor 2 DAC-modellerna (dubbelverkande kopplingar) har speciella dubbelverkande kontakter för tryckluften, vilka är speciellt utformade som extra skydd mot oföväntade urkopplingar.

Kontroll före användning

- Kontrollera varningsvisslans funktion för att förvissa dig om att rätt luftmängd matas till andningsskyddet (se instruktionerna nedan).
- Kontrollera all utrustning för eventuella skador, med speciell uppmärksamhet på luftslang, matarröret för ansiktskyddet och ansiktsduken.
- Använd inte andningsskyddet om ansiktsduken eller luftdiffusorn på matarröret är skadade eftersom det påverkar skyddet.
- Kontrollera att visiret ger god sikt.

PÅSÄTTNING AV UTRUSTNING

- Fäst livremmen runt midjan och justera det så att det sitter bekvämt. Vid behov sätter man först på sig en tyghuva (25) följt av enheten med visiret.
- Behåll visiret (6, 7, 8) uppfällt och justera hjässbandet och pannbandet så att det sitter stadigt.
- Koppla in luftröret (5) till visiret i miniatyrsnabbkopplingen (17).
- Välj en lämplig luftslang (23) med upp till 10 meters längd, och koppla slangens snabbkoppling till luftintaget (21) på bältesenheten.
- Koppla den andra änden till uttaget med filterad luft.



Använd den gröna luftslangen om du använder en Airvisor 2 DAC modell. Använd blå slangar för standard Airvisor 2 modeller.

Om så behövs, anslut ett tryckluftsdrevet verktyg (24) till uttaget (22) på bältesenheten.

Slå på lufttillförseln och justera trycket så att det är mellan 4,5 bar (61 psi) och 7 bar (102 psi) vid kopplingen till bältesenheten (se Tabell för Lufttryck nedan). Se till att du inte har några läckor. Om varningsvisslan hörs skall du öka det inkommande trycket tills den tystnar. Om varningsvisslan inte slutar även med ökat tryck skall man stänga av lufttillförseln och börja om från början efter att ha anpassat trycket.

Observera att om apparaterna Airvisor 2 och Airvisor 2 MV används tillsammans med tryckluftswerktyg eller sprutmålningspistol så krävs det ett högre inkommande lufttryck (vilket kräver extra kontroller). Om man arbetar på detta sätt måste man först köra verktyget innan man tar på sig andningsskyddet - om varningsvisslan hörs skall man öka det inkommande trycket tills dess att visslan slutar. På så vis vet man att det finns tillräckligt med luft både för andningsskyddet och tryckluftswerktyget eller sprutmålningspistolen.

Fäll ner visiret och gör eventuella justeringar på hjässband och pannband för optimal anpassning av ansiktsduken. Kontrollera för tydliga springor mellan hud och ansiktsduk. Om man upptäcker några öppningar skall man anpassa enheten tills de försvinner. Nu kan du gå in i det kontaminerade utrymmet. Observera: om varningsvisslan hörs vid normala arbetsförhållanden betyder det att det inte kommer in tillräckligt med luft till andningsskyddet - lämna genast det kontaminerade utrymmet och ta av visiret - öka det inkommande trycket.

Byte av Luftrör och Diffusorenhet (Alla modeller):

- För att undvika läckage skall man genast byta luftröret (5) om det är slitet eller skadat.
- Lossa röret från fästet (passar i ett uttag baktill på huvudremmarna och med två knoppar), ta av huvan och dra ut diffusorn från den centralt monterade och böjda hållaren.
- Sätt på den nya enheten genom att försiktigt föra in diffusorn i den böjda hållaren och därefter trycka fast huvan.
- Fäst luftröret till visiret med hjälp av de två knopparna och se till att röret passar in i uttaget baktill på remmarna.

Byte av Visirskydd (Alla modeller):

- Placera visirskyddet (9/10/11) på metallknopparna på var sin sida av visiret.

Byte av visiret (DAVK-000*E och DAWK-4001E modeller):

- Lossa visirets luftrör (5) från pannskyddet.
- Håll in pannskyddet, tryck med tumme och pekfinger utifrån och inåt på den övre delen av visiret (6).
- Kroka av visiret från de blå knopparna på sidorna.
- Om du tänker återanvända luftröret skall du lossa den från visirets insida genom att försiktigt dra ut de två transparenta knopparna, annars kan du kasta både visir och luftrör.
- Vid montering för man luftrörets snabbkoppling upp genom hålet i visirets skumgummi.
- Fäst luftröret i visiret med de två transparenta knopparna och den centralt placerade böjda hållaren.
- Sätt tillbaka de blå knopparna i de nyckelhålsformade hålen upptill på visiret och med ett järnt tryck vrid det mot pannskyddet och tryck fast det på plats.

Byte av Kassett för Ansiktsduk (DMAK-002*E och DAWK-4011E modeller):

- Håll din Airvisor upp och ner i armvecket och fatta i ramen.
- Fatta tag i underdelen på kassetten för ansiktsduken med din fria hand och dra av den från visiret med ett lätt ryck.
- Rikta in den nya kassetten (12, 14) under visiret.
- Tryck kassetten på plats genom att börja i en ändan och arbeta dig runt ramen. Man skall se till att de fria ändarna på tygdelarna går inom huvudremmarna och sedan vikta utanför huvudremmarna. Runt dem i sig själva med tryckknappar - om du är tveksam rörande monteringen skall du se hur det ser ut innan du tar ut den befintliga kassetten.
- Kassetten skall bytas så snart den är sliten eller att damm och smuts börjar att ansamlas.

Byte av visiret (DMAK-002*E och DAWK-4011E modeller):

- Kontrollera tätningssremorna i skumgummi för skador och byt dem vid behov.
- Ta av visiret genom att trycka ut den inifrån.
- Placera visirets sidofilik i uttaget på visirets ram samtidigt som du ser till att den övre kanten passar in i spåret i pannskyddet.
- Tryck fast visiret (7) runt kanterna och tryck till sist in de nedre filikarna i uttagen vid kinden.

Byte/passning av svetsfilter (endast svetsatser)

DAWK-4001E:

- Skruva loss linsfästskruvarna på insidan av skalet.
- Avlägsna täckplattorna och filtret
- Byt ut filtret efter behov
- Skruva tillbaka fästet och skruvarna

DAWK-4011E:

Med W-seriens svetsatser är fönsterhållarsystemet tillgängligt från svetsskalets utsida efter att det ljusblåa ytterhöljet avlägsnats. De tonade fönsterglasen hålls på plats med ett flexibelt clipsystem.

Byte av Kolfilter:



Kolfiltret (19) skall bytas om man känner en doft eller efter 1 000 timmars användning (maximalt).

- Lossa bältesenheten från lufttillförseln, ta av alla slangar och lossa de tre fästskruvarna.
- Luta enheten framåt och ta av regulatorenheten och vänd därefter bältet för att ta av filtret.
- Sätt O-ringar upptill och nertill på det nya filtret.
- För in den i hållaren och för in den svarta filiken på regulatorenheten i uttaget i den nedre delen av bältesenheten.
- Sätt tillbaka skruvarna och återanslut lufttillförseln.
- Kontrollera så att det inte finns några läckor någonstans.



När man ersätter delar skall man bara använda sig av original delar från Honeywell för optimalt skydd.

RENGÖRING OCH DESINFEKTION EFTER VARJE ANVÄNDNING

- Torka av damm och smuts från apparaten med en lätt fuktad duk med mildt desinficeringsmedel eller tvålösning.
- Apparaten får inte dränkas.
- Använd inga lösningsmedel eller utspätt rengöringsmedel vilket kan skada apparaten.
- Använd inte rengöringsmedel med slipmedel som kan repa apparaten eller visiret.
- Låt apparaten torka ordentligt i ett väl ventilerat utrymme, borta från direkt solljus och värmekällor med hög temperatur.
- Placera apparaten i en förvaringspåse (28) efter rengöring och desinficering.



- **Den komprimerade luft som matas till andningskyddet i Airvisor 2 serien måste vara av sådan kvalitet att den uppfyller kraven i EN 12021.**
- **För att undvika att luften i apparaten fryser vid låga temperaturer skall man se till att luftfuktigheten i den inandade luften alltid är inom de gränsvärden som anges i EN 12021.**
- **Man skall vara speciellt noga med att se till att apparaten inte är inkopplad på ett annat system som levererar andra gaser än luft av kvalitet som kan andas.**
- **Apparaten får inte kopplas till syrgas eller luft med tillsatt syrgas.**
- **Om fler än en person är anslutna till samma luftsystem måste man se till att systemet har tillräcklig kapacitet att leverera till alla som är inkopplade.**
- **Honeywells Blueline luftslangar (standard Airvisor 2), eller gröna slangar (Airvisor 2 DAC) och High Flow-kopplingar är en del av godkännandet, så därför skall man inte använda andra typer av slangar och inte heller andra slangarna som är avsedda för din apparat.**
- **Den maximala längden på matarslangen för apparater av Klass A är 10 meter, för en komplett slang. Kortare slangar får inte kopplas samman för att få maxlängden.**
- **Det maximala trycket (nominellt tryck) för Honeywell tryckluftslangar är 10 bar.**
- **Inte lämpligt för användning i utrymmen med temperaturer över 35°C, se till att du inte lämnar kvar utrustningen i sprutboxen när den används för torkning.**
- **Apparaten får inte användas om användaren skulle få obotliga skador om han är oskyddad, ej heller i miljöer som saknar syre.**
- **Vid intensivt arbete kan trycket inne i andningskyddet bli negativt om man andas tungt.**
- **När du befinner dig i ett kontaminerat utrymme måste du ha fällt ner visiret samt vara beredd att genast lämna utrymmet om du misstänker en felfunktion eller hör varningsvisslan.**
- **Man är bara skyddad mot stänk av smält metall om man har utbytbara visirskydd.**
- **Märkningen F1 innebär att apparaten och luftröret kan användas i situationer där det finns risk för antändning.**
- **Apparaten kan kanske inte skydda i extremt toxiska atmosfärer. Det är användarens ansvar att se till att apparaten lämpar sig för det arbete som utförs, och att den är anpassad för användaren. Se gällande bestämmelser för vägledning.**

Minsta Matartryck i luftslangen för tryckluft:			
		Matartryck i bar (psi)	
Luftslangens diameter (mm)	Slanglängd (m)	DAVK-0001E DMAK-0021E	DAVK-0003E, 0004E DMAK-0023E, 0024E DAWK-4001E, 4011E
8	3,5 7,5 10	5,3 bar (77 psi) 5,4 bar (79 psi) 5,5 bar (80 psi)	4,5 bar (61 psi) 4,6 bar (63 psi) 4,7 bar (64 psi)



- Maximal längd på luftslangen 10 meter.
- För DAVK-0001E och DMAK-0021E gäller att om man vid något tillfälle använder ett tryckluftsverktyg och visslan hörs, måste man öka trycket tills dess att visslan tystnar. På så vis vet man att det finns tillräckligt med luft för andningsskyddet och att det fortfarande är säkert att arbeta.

TEKNISKA INFORMATIONER

Certifiering / Godkännande	CE-märkning (CE 0194)
Standard / Överensstämmelse	EN 14594:2005 (Lättare Arbeten Klass A)
Nominella Skyddsfaktorer	Klass 3 = 200 DAVK Modeller Klass 4 = 2 000 DAVK & DMAK Modeller
Visir: Kemiskt motståndskraftig Slagtålig	EN 166.2.F EN 166.2.B.9
Maximalt luftflöde	260 l/min 290 l/min
Arbetstryck	4,5 bar (61 psi) till 7,0 bar (102 psi)
Maximal Arbetstemperatur	35°C
Kolfilter	Ersätt efter 1000 timmar, eller Om du känner en lukt inne i andningsskyddet

SKYDDSFAKTORER

Skyddsfaktorn (APF) 40 innebär att andningsskyddet kan användas i utrymmen med kontaminering upp till 40 X skyddsfaktorn. I andra länder skall man följa gällande lagstiftning vilka kan påverka skyddsfaktorn som du skall följa när du väljer andningsskydd.

AIRVISOR ANDNINGSSKYDDSSYSTEM

Artikel nr.	Del nr.	Beskrivning
1013932	DAVK-0001E	Airvisor 2 Sats för Sprutmålning
1013934	DAVK-0003E	Airvisor 2 Kemisk Sats
1013935	DAVK-0004E	Airvisor 2 Industriell Sats
1013938	DMAK-0021E	Airvisor 2 MV Sats för Sprutmålning
1013939	DMAK-0023E	Airvisor 2 MV Kemisk Sats
1013980	DMAK-0024E	Airvisor 2 MV Industriell Sats
1013983	DAWK-4001E	Airvisor 2 FV Svetssats
1013987	DAWK-4011E	Airvisor 2 W Svetssats
1765058	DAVK-0001E-DAC	Airvisor 2 Dubbelverkande koppling för Sats för Sprutmålning
1765059	DAVK-0003E-DAC	Airvisor 2 Dubbelverkande koppling för Kemisk Sats
1765060	DAVK-0004E-DAC	Airvisor 2 Dubbelverkande koppling för Industriell Sats
1765061	DMAK-0021E-DAC	Airvisor 2 MV Dubbelverkande koppling för Sats för Sprutmålning
1765062	DMAK-0023E-DAC	Airvisor 2 MV Dubbelverkande koppling för Kemisk Sats
1765063	DMAK-0024E-DAC	Airvisor 2 MV Dubbelverkande koppling för Industriell Sats
1765064	DAWK-4001E-DAC	Airvisor 2 FV Svetssats dubbelverkande koppling
1765065	DAWK-4011E-DAC	Airvisor 2 W Svetssats dubbelverkande koppling

Extra överstycken (kompleta):

1013936	DAVK-0051E	För att använda med DAVK-0001/03E
1013937	DAVK-0052E	För att använda med DAVK-0004E
1013981	DMAK-0071E	För att använda med DMAK-0021/23E
1013982	DMAK-0072E	För att använda med DMAK-0024E
103986	DAES-4101E	För att använda med DAVK-4001E
103988	DAES-4201E	För att använda med DAWK-4011E

Extra bältesenheter (kompleta):

1013989	DAVV-1001E	För att använda med DAVK-0001E och DMAK-0021E
1013990	DAVV-1003E	För att använda med DAVK-0003/04E och DMAK-0023/24E och DAWK-4001/11E
1765066	DAVV-1001E-DAC	För att använda med DAVK-0001E-DAC och DMAK-0021E-DAC
1765067	DAVV-1003E-DAC	För att använda med DAVK-0003/04E-DAC och DMAK-0023/24E-DAC och DAWK-4001/11E-DAC

Reservdelar och tillbehör (enligt produktritningar):

Nr.	Artikel nr.	Beskrivning
1	1028821	Pannskydd och pannband för Airvisor 2 DAVK modeller
2	1028822	Pannskydd och pannband för Airvisor 2 MV DAVK modeller
3	1028823	Pannbandsanordning för Airvisor FV Svetssats
4	1028824	Pannskydd och pannband för Airvisor W Svetssats
5	1028825	Luftrör och diffusorenhet för alla Airvisor 2 modeller
6	1028826	Visir i acetat (kemiskt motståndskraftigt) för användning med DAVK-0001/03E
6	1028827	Visir i polykarbonatplast (slagtåligt) för användning med DAVK-0004E
7	1001775	Visir i acetat (kemiskt motståndskraftigt) för användning med DMAK-0021/23E (5-pack)
7	1001774	Visir i polykarbonatplast (slagtåligt) för användning med DMAK-0024E (5-pack)
	1028870	Tätningssremor för visir - används med del 7 (10-pack)
8	1028828	Innervisir i polykarbonatplast (slagtåligt) för användning med DAWK-4001E
9	1001732	Utbytbara visirskydd för alla DAVK modeller (10-pack)
9	1001731	Utbytbara visirskydd för alla DAVK modeller (50-pack)
10	1001778	Utbytbara visirskydd för alla DMAK modeller (10-pack)
10	1001779	Utbytbara visirskydd för alla DMAK modeller (50-pack)
11	1011749	Utbytbara visirskydd för användning med DAWK-4001E (10-pack)
12	1013994	Kassett med ansiktstätning för DMAK modeller (5-pack)
13	1001748	Anordning med ansiktstätning för DAWK-4001E
14	1013994	Anordning med ansiktstätning för DAWK-4011E (5-pack)
15	1001750	Svetsskal för DAWK-4001E
16	1005103	Svetsskal för DAWK-4011E
17	1001725	Miniatursnabbkoppling
18	1028829	Airvisor 2 Regulatorenhet för alla icke-DAC modeller
18	1765068	Airvisor 2 Regulatorenhet för alla DAC modeller
19	1001672	Kolfilter för alla modeller
20	1001674	Bältesenhet
21	1028830	Plugg till Airvisor 2 (icke-DAC) Special snabbkoppling
21	1765069	Tvåhandsplugg till Airvisor 2 (DAC) Special snabbkoppling
22	1028831	Miniatursnabbkoppling för Airvisor 2 High Flow
23	1001726	Blueline luftslang 3,5 m (för icke-DAC Airvisor 2)
23	1001727	Blueline luftslang 7,5 m (för icke-DAC Airvisor 2)
23	1004716	Blueline luftslang 10 m (för icke-DAC Airvisor 2)
23	1765070	Grön luftslang 3,5 m (för DAC Airvisor 2)
23	1765071	Grön luftslang 7,5 m (för DAC Airvisor 2)
23	1765072	Grön luftslang 10 m (för DAC Airvisor 2)
24	1001683	Luftslang för sprutpistol (1,2 m) för DAVK-0001E och DMAK-0021E
25	1001733	Utbytbara tyghuvor för alla DMAK och DAVK modeller (5-pack)
26	1001676	Utbytbara tyghuvor och nackskydd för alla DMAK och DAVK modeller (5-pack)
27	1001754	Flamsäkert huvud- och nackskydd för användning med DAWK-4011E
28	1001738	Förvaringspåse för alla modeller

HAVA TÜPLÜ SOLUNUM CİHAZI KULLANICI TALİMATLARI LÜTFEN İLERİDE BAŞVURMAK ÜZERE SAKLAYIN



Bu talimatları okumadan ve ürün eğitimi almadan ekipmanı kullanmayın.

KULLANIM VE BAKIMA YÖNELİK TALİMATLAR



- Airvisor 2 ürün ailesine tedarik edilen basınçlı hava, EN 12021 standardına uygun, solunabilir kalitede olmalıdır. Honeywell, uyumluluğa yardımcı olması için Clearflow Filtre Sistemlerinin kullanılmasını önerir. Hava kalitesi, uygun test ekipmanı kullanılarak periyodik bir şekilde kontrol edilmelidir. Çalışma alanına girmeden önce aşağıdaki talimatlara uyun.
- Airvisor 2 DAC (iki kollu hareket kaplini) modelleri, basınçlı hava beslemesine yönelik özel çift kollu hareket bağlantıları sunarak, özel bağlantı formatları ve bağlantının beklenmedik bir şekilde kesilmesine karşı ekstra koruma sağlar.

KULLANIM ÖNCESİ KONTROLLERİ

- Cihaza doğru miktarda hava sağlanmasını sağlamak için uyarı düdüğünün çalışmasını kontrol edin (aşağıdaki talimatlara bakın).
- Tüm ekipmanlarda hasar kontrolü yapın, hortum, vizör besleme borusu ve yüz parçasına özellikle dikkat edin.
- Yüz parçası veya hava besleme borusu üzerindeki difüzör hasarlıysa koruma bundan etkileneyeceği için solunum cihazını kullanmayın.
- Vizör koruyucularının iyi bir görüş sağladığından emin olun.

EKİPMANIN TAKILMASI

- Bel kemeri donanımını belinize takın ve rahat bir biçimde oturacak şekilde ayarlayın. Gerekirse, vizör donanımından önce bir Kumaş Başlık (25) takın.
- Vizörü (6, 7, 8) yukarıda tutun ve baş kayışlarını ve kafa bandını tam olarak sabitlenecek şekilde ayarlayın.
- Vizör hava besleme borusunun ucunu (5), küçük Yüksek Akım çabuk açılan sokete (17) takın.
- En fazla 10 metre olan uygun uzunlukta bir hava hortumu (23) seçin ve bel kemeri donanımının üzerinde hava girişi (21) için hortumdaki Yüksek Akım QR (Çabuk Açılan) sokete bağlayın.
- Diğer ucu, filtrelenen hava beslemesine bağlayın.



Airvisor 2 DAC modellerini kullanırken yeşil hava besleme hortumu kullanın. Standart Airvisor 2 modelleri için mavi hortumları kullanın.

Gerekirse, bel kemeri donanımı üzerinde hava çıkışı (22) için çift havalı alet (24).

Hava beslemesini açın ve bel kemeri donanımı girişinde verilecek basıncı 4,5 bar (61 psi) ve 7 bar (102 psi) arasında ayarlayın (bkz. arka sayfadaki Besleme Basıncı Tablosu). Hava sızıntısı olmadığından emin olun. Uyarı düdüğü ötüyorsa, düşük durana kadar giriş basıncını artırın. Basıncı artırırken düdüğün durmaması halinde, hava beslemesini kapatın ve basıncı ayarladıktan sonra yeniden başlayın.

Lütfen bir yardımcı havalı alet veya bir püskürtme tabancası ile kullanılan Airvisor 2 ve Airvisor 2 MV kitlelerinin, yüksek giriş basınçları gerektirdiğini unutmayın (bu nedenle ekstra bir kontrol yapılmalıdır). Bu şekilde çalışıyorsa, solunum cihazı takılmadan önce alet çalıştırılmalıdır; uyarı düdüğü bu şartlarda ötüyorsa, giriş basıncını düdüğü durana kadar artırın. Bu sayede, hem solunum cihazı vizörü hem de yardımcı alet veya püskürtücü tabanca için yeterli hava sağlanır.

Vizörü indirin, yüz parçasının yüze en iyi şekilde oturmasını sağlamak için baş kayışları ve kafa bandı için gereken ayarlamaları yapın. Deri ve yüz parçası arasında görünür boşluklar olup olmadığını kontrol edin. Boşluklar tespit ederseniz, boşluklar kapanacak şekilde cihazı tekrar ayarlayın. Şimdi kirli alana girmeye hazırsınız. Lütfen dikkat: normal çalışma şartlarında uyarı düdüğünün ötmesi, solunum cihazı vizörüne yeterli hava akışı olmadığını gösterir. Kirli alanı derhal terk edin, ardından vizörü çıkarın, giriş basıncını uygun seviyeye getirin.

Hava Besleme Borusunun ve Difüzör Donanımının Değiştirilmesi (Tüm modeller):

- Hava besleme borusu (5) eskimiş veya hasarlıysa, sızıntıları önlemek için değiştirilmesi gerekir.
- Çıkarıldıktan sonra boruyu birleşme noktalarından (baş parçasının arkasındaki çentiğe takılı ve iki açık tutucu mandala monte) ayırın ve kapağı çıkardıktan sonra difüzörü, merkezi olarak monte edilmiş eğiş tutucusundan çekin.
- Köpük difüzörünü eğiş tutucuya dikkatlice bağlayarak ve kapağı tekrar yerine yerleştirerek yeni donanımı takın.
- İki tutucu mandalı kullanarak hava besleme borusunu vizör/çerçeveye yeniden takın ve borunun baş parçasındaki çentiklere sabitlendiğinden emin olun.

Tek Kullanımlık Vizör Koruyucularının Değiştirilmesi (Tüm modeller):

- Vizör koruyucusunu (09/10/11), vizörün iki tarafındaki metal çiviler üzerine konumlandırın.

Vizörün Değiştirilmesi (DAVK-000*E ve DAWK-4001E modelleri):

- Vizör hava besleme borusunu (5) yüz korumasından çıkarın.
- Yüz korumasını tutun, baş ve işaret parmağınızı kullanarak vizörün (6) üstünü dışarıdan içeriye doğru bastırın.
- Vizör anahtar deliği yuvalarını, her iki tarafta da bulunan yüz koruyucu mandallardan çıkarın.
- Vizör hava besleme borusu yeniden kullanılacaksa, iki açık tutucu mandalı dikkatlice çekerek boruyu iç vizörden çıkarın veya hem vizörü hem de boruyu atın.
- Yeniden takmak için, hava borusu QR bağlantısını, vizör köpüğündeki delikten yukarı doğru bağlayın.
- Vizör hava besleme borusunu, iki açık tutucu mandal ve merkezi olarak monte edilmiş eğiş tutucu ile vizöre sabitleyin.
- Mavi yüz koruyucu tutucuları, vizörün üstündeki anahtar deliği yuvalarına yeniden konumlandırın ve sertçe bastırarak yüz koruyucuya doğru çevirin ve konuma yerleştirin.

Yüz Parçası Kasetinin Değiştirilmesi (DMAK-002'E ve DAWK-4011E modelleri):

- Koldaki ters Airvisor'ı koruyun ve kalıp halindeki çerçeveyi tutun.
- Boştaki elinizle, yüz parçası kasetinin üstünü tutun ve tek bir hızlı hareket ile vizörden den çekin.
- Vizör altında değiştirme kasetini (12, 14) hizalayın.
- Bir uçtan başlayıp çerçevenin tamamında çalışarak, vizör çerçevesi üzerindeki kaseti kapatın. Kumaş parçalar için, boştaki uçların kafa bandının içinden geçmesini sağlayın, ardından çıkıçlarla yeniden kendilerine takarak kafa bandının dışını katlayın. Herhangi bir şüpheniz varsa, demontajdan önce var olan yapılandırmaya bakın.
- Herhangi bir hasar işareti olduğunda ya da toz ve kir oluştuğunda kaset değiştirilmelidir.

Vizörün Değiştirilmesi (DMAK-002'E ve DAWK-4011E modelleri):

- Köpük sızdırmazlık şeritlerinde hasar kontrolü yapın, gerekirse değiştirin.
- Üstten iterek vizörü çıkarın.
- İçeriden yüz koruyucu yivinde konumlanmasını sağlayarak vizör yan tarafını, vizör etrafındaki yuvaya yerleştirin.
- Vizörü (7), vizör çevresinin yuvarlak eğimine takın ve son olarak alt tarafları çene koruma yuvalarına konumlandırın.

Kaynak Filtresinin Değiştirilmesi ve Montajı (Sadece kaynak kitleleri)

DAWK-4001E:

- Baretin içerisindeki lens kelepçe vidalarını sökün.
- Kaplama levhaları ve filtreyi çıkarın.
- Filtreyi gerektiği şekilde tekrar yerleştirin.
- Kelepçe ve vidaları tekrar yerleştirin.

DAWK-4011E:

W serisi kaynak kiti ise cam tutma sistemine geçiş, açık mavi dış kaplamayı çıkardıktan sonra kaynak baret dışındadır. Puslu cam donanımı esnek bir kelepçe sistemiyle yerinde tutulur.

Karbon Kartuşun Değiştirilmesi:



Bir koku tespit edilirse veya 1.000 saatlik bir kullanımın (en fazla) ardından karbon kartuş (19) değiştirilmelidir.

- Bel kemerini hava beslemesinden ayırın, tüm bağlantı hortumlarını çıkarın ve üç sabitleme vidasını sökün.
- Öne doğru eğilme ile düzenleyici donanımı çıkarın ve karbon kartuşu çıkarmak için bel kemerini çevirin.
- 'O' contalarını, değiştirme kartuşunun üst ve altına takın.
- Gövdeye oturtun ve düzenleyici donanım üstündeki siyah kulağı, bel kemeri gövdesinin alt tarafındaki yuvaya konumlandırın.
- Vidaları yeniden takın ve hava beslemesine yeniden bağlayın.
- Hava sızıntısı olup olmadığını kontrol edin.



Değiştirme işlemi yaparken, optimum koruma sağlamak için sadece Honeywell parçalarını kullanın.

HER KULLANIMDAN SONRA TEMİZLEME VE DEZENFEKSİYON

- Hafif dezenfektan veya sıvı sabun çözümü ile nemlendirilmiş bir bez kullanarak aparatlardaki toz ve kiri temizleyin.
- Aparatları suya batırmayın.
- Aparatlara zarar verebilecek bir çözücü veya seyreltilmemiş bir deterjan kullanmayın.
- Aparatın yüzeyine hasar verebilecek veya vizörü çizebilecek bir aşındırıcı temizlik ürünü kullanmayın.
- Doğrudan güneş ışığından, yüksek sıcaklık veya radyan ısı kaynaklarından uzak, iyi havalandırılan bir yerde tamamen kuruması için bırakın.
- Temizleme ve dezenfeksiyon işlemlerinden sonra aparatları saklama çantasına (28) koyun.



- Airvisor 2 ürün ailesine tedarik edilen basınçlı hava, EN 12021 standardına uygun, solunabilir kalitede olmalıdır.
- Düşük sıcaklıklarda aparatta hava donmasını engellemek için, solunan havanın nem içeriğinin, EN 12021'de belirtilen sınırlar dahilinde olmasını sağlayın.
- Aparatın, işyerindeki solunabilir kalitedeki hava dışında gazlar sağlayan alternatif hava hattı sistemine bağlı olmadığından emin olmak için özel bir dikkat gösterilmelidir.
- Aparat, oksijen veya oksijenle zenginleştirilmiş bir hava kaynağına bağlı olmamalıdır.
- Birden fazla kişinin beslenen hava sistemine bağlı olduğu yerlerde, sistemin her kullanıcıya yeterli kapasiteye sahip olduğundan emin olunmalıdır.
- Honeywell BlueLine hava hortumu (standart Airvisor 2) veya yeşil hortum (Airvisor 2 DAC) ve Yüksek Akım kaplinlerinin kullanılması, onayın ayrılmaz bir parçasıdır; başka bir hortum türü kullanmayın veya aparatınızla kullanmanız için belirtilen hortumları uyarlamayın.
- A Sınıfı cihazlara yönelik besleme hortumunun maksimum uzunluğu 10 metredir ve tek bir hortumdan meydana gelmelidir. Maksimum uzunluğu elde etmek için daha kısa hortumlar birleştirilmemelidir.
- Honeywell basınçlı hava besleme hortumları için maksimum (nominal) çalışma basıncı 10 bar'dır.
- 35°C üstünde ortam sıcaklığına sahip alanlarda kullanıma uygun değildir, ekipmanı, kurutma dolabına çevrilen püskürtme kabini bırakmayın.
- Korunmasız olması halinde kullanıcının geri dönüşü olmayan zararlar göreceği şartlarda ve oksijen bakımından yetersiz ortamlarda kullanılmaz.
- Çok yüksek çalışma hızlarında, baş parçası içindeki basınç, en yüksek soluma akışında negatif olabilir.
- Kirli alandayken, vizörün indirilmiş konumunda kilitli olduğundan emin olun ve bir arızadan şüphelenirseniz ya da uyarı düdüğü ötersede derhal tehlike alanını terk edin.
- Erimiş metal koruması sadece, tek kullanımlık vizör koruyucuları kullanıldığında verilir.
- Uygun olduğu yerde, F1 işareti, cihazın ve basınçlı hava borusunun yanıcı maddelerin tutuşma riskinin olduğu ortamda kullanılabilirliğini belirtir.
- Aparat, bazı yüksek toksik ortamlarda yeterli korumayı sağlayamayabilir. Aparatın yapılacak işe ve kullanıcıya uygun olduğundan emin olmak kullanıcının sorumluluğudur. Lütfen rehber olması açısından yerel tüzüğe bakın.

Basınçlı hava besleme hortumundaki Minimum Besleme Basınçları:			
		Besleme Basıncı bar (psi) cinsinden	
Besleme Hortumu çapı (mm)	Hortum uzunluğu (m)	DAVK-0001E DMAK-0021E	DAVK-0003E, 0004E DMAK-0023E, 0024E DAWK-4001E, 4011E
8	3,5	5,3 bar (77 psi)	4,5 bar (61 psi)
	7,5		4,6 bar (63 psi)
	10	5,4 bar (79 psi)	4,7 bar (64 psi)
		5,5 bar (80 psi)	



- **Maksimum Besleme Hortumu Uzunluğu 10 metredir.**
- **DAVK-0001E ve DMAK-0021E için, yardımcı alet veya püskürtme tabancasının kullanıldığı sırada uyarı düdüğü öterse, düdüğ durana kadar giriş basıncını artırın. Bu sayede baş parçasına yeterli hava ulaşmasını ve güvenliğinizi muhafaza edilmesini sağlarsınız.**

TEKNİK BİLGİLER

Belgelendirme / Onay	CE Onaylı (CE 0194)
Standart / Uyum	EN 14594:2005 (Hafif İş A Sınıfı)
Nominal Korunma Unsurları	Sınıf 3 = 200 DAVK modelleri Sınıf 4 = 2.000 DAVK & DMAK Modelleri
Vizör: Kimyasal maddelere dayanıklı Darbe koruması	EN 166.2.F EN 166.2.B.9
Üreticinin Minimum Tasarım Akış Hızı Maksimum Akış Hızı	260 l/min 290 l/min
Çalışma Basıncı	4,5 bar (61 psi) ila 7,0 bar (102 psi)
Maksimum Çalışma Sıcaklığı	35°C
Karbon Kartuşu	1.000 saatlik kullanımdan sonra veya Baş parçasında bir koku tespit edilirse değiştirin

KORUNMA UNSURLARI

Atanan bir Korunma Unsuru (APF) 40, solunum cihazının, 40 X İşyeri Maruz Kalma Sınırına kadar kirlenme olan alanlarda kullanılabilirliği anlamında gelir.
Diğer coğrafi alanlar için lütfen solunum koruma cihazı seçerken kullanmanıza izin verilen korunma unsuru değerini değiştiren ulusal ve bölgesel düzenlemelere veya kılavuzlara bakın.

AIRVISOR SOLUNUM SİSTEMLERİ

Madde No.	Parça no.	Tanım
1013932	DAVK-0001E	Airvisor 2 Boya Püskürtme Kiti
1013934	DAVK-0003E	Airvisor 2 Kimyasal Kiti
1013935	DAVK-0004E	Airvisor 2 Sanayi Kiti
1013938	DMAK-0021E	Airvisor 2 MV Boya Püskürtme Kiti
1013939	DMAK-0023E	Airvisor 2 MV Kimyasal Kiti
1013980	DMAK-0024E	Airvisor 2 MV Sanayi Kiti
1013983	DAWK-4001E	Airvisor 2 FV- Serisi Kaynak Kiti
1013987	DAWK-4011E	Airvisor 2 W- Serisi Kaynak Kiti
1765058	DAVK-0001E-DAC	Airvisor 2 Boya Püskürtme Kiti çift kollu hareket bağlantı
1765059	DAVK-0003E-DAC	Airvisor 2 Kimyasal Kiti çift kollu hareket bağlantı
1765060	DAVK-0004E-DAC	Airvisor 2 Sanayi Kiti çift kollu hareket bağlantı
1765061	DMAK-0021E-DAC	Airvisor 2 MV Boya Püskürtme Kiti çift kollu hareket bağlantı
1765062	DMAK-0023E-DAC	Airvisor 2 MV Kimyasal Kiti çift kollu hareket bağlantı
1765063	DMAK-0024E-DAC	Airvisor 2 MV Sanayi Kiti çift kollu hareket bağlantı
1765064	DAWK-4001E-DAC	Airvisor 2 FV-Serisi Kaynak Kiti çift kollu hareket bağlantı
1765065	DAWK-4011E-DAC	Airvisor 2 W-Serisi Kaynak Kiti çift kollu hareket bağlantı

Yedek baş parçaları (tamamı):

1013936	DAVK-0051E	DAVK-0001/03E ile kullanmak için
1013937	DAVK-0052E	DAVK-0004E ile kullanmak için
1013981	DMAK-0071E	DMAK-0021/23E ile kullanmak için
1013982	DMAK-0072E	DMAK-0024E ile kullanmak için
1013986	DAWS-4101E	DAWK-4001E ile kullanmak için
1013988	DAWS-4201E	DAWK-4011E ile kullanmak için

Yedek bel kemerleri (tamamı):

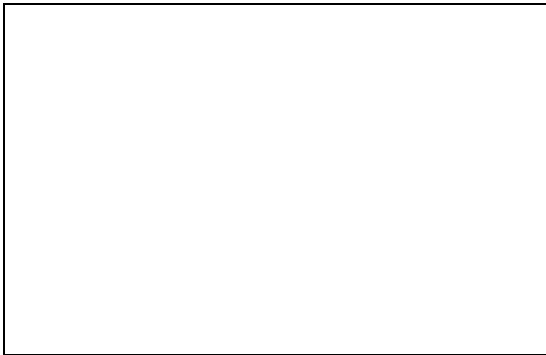
1013989	DAVW-1001E	DAVK-0001E ve DMAK-0021E ile kullanmak için
1013990	DAVW-1003E	DAVK-0003/04E, DMAK-0023/24E ve DAWK-4001/11E ile kullanmak için
1765066	DAVW-1001E-DAC	DAVK-0001E-DAC ve DMAK-0021E-DAC ile kullanmak için
1765067	DAVW-1003E-DAC	DAVK-0003/04E-DAC, DMAK-0023/24E-DAC ve DAWK-4001/11E-DAC ile kullanmak için

Değişim parçaları ve aksesuarlar (ürün çizimlerinde gösterildiği gibi):

No.	Madde No.	Tanım
1	1028821	Airvisor 2 DAVK modelleri için yüz koruması ve kafa bandı
2	1028822	Airvisor 2 MV DMAK modelleri için yüz koruması ve kafa bandı
3	1028823	Airvisor 2 FV-Serisi Kaynak kiti için kafa bandı donanımı
4	1028824	Airvisor 2 W-Serisi Kaynak kiti için yüz koruması ve kafa bandı
5	1028825	Tüm modeller için Airvisor 2 Hava besleme borusu ve difüzör donanımı
6	1028826	DAVK-0001/03E ile kullanım için asetat vizör (kimyasal maddelere dayanıklı)
6	1028827	DAVK-0004E ile kullanım için polikarbonat vizör (darbeye dayanıklı)
7	1001775	DMAK-0021/23E ile kullanım için asetat vizör (kimyasal maddelere dayanıklı) (5'li paket)
7	1001774	DMAK-0024E ile kullanım için polikarbonat vizör (darbeye dayanıklı) (5'li paket)
	1028870	Öğeler 7 ile kullanım için vizör sızdırmazlık şeritleri (10'lu paket)
8	1028828	DAWK-4001E ile kullanmak için dahili Polikarbonat vizörü (darbe koruması)
9	1001732	DAVK modelleri ile kullanım için tek kullanımlık vizör koruyucuları (10'lu paket)
9	1001731	DAVK modelleri ile kullanım için tek kullanımlık vizör koruyucuları (50'li paket)
10	1001778	DMAK modelleri ile kullanım için tek kullanımlık vizör koruyucuları (10'lu paket)
10	1001779	DMAK modelleri ile kullanım için tek kullanımlık vizör koruyucuları (50'li paket)
11	1001749	DAWK-4001E modeli ile kullanmak için tek kullanımlık vizör koruyucuları (10'lu paket)
12	1013994	DMAK modelleri için kumaş yüz koruma kaseti (5'li paket)
13	1001748	DAWK-4001E için kumaş yüz koruma donanımı
14	1013994	DAWK-4011E modeli için kumaş yüz koruma kaseti (5'li paket)
15	1001750	DAWK-4001E kaynak bareti
16	1005103	DAWK-4011E kaynak bareti
17	1001725	Küçük Yüksek Akım çabuk açılan soket
18	1028829	DAC olmayan tüm modeller için Airvisor 2 Düzenleyici donanım
18	1765068	Tüm DAC modelleri için Airvisor 2 Düzenleyici donanım
19	1001672	Tüm modeller için karbon kartuş
20	1001674	Bel kemeri gövdesi ve kumaş kemer
21	1028830	Airvisor 2 (DAC olmayan) Özel Yüksek Akım çabuk açılan tıpa
21	1765069	Airvisor 2 (DAC) Özel Yüksek Akım çabuk açılan çift kollu tıpa
22	1028831	Airvisor 2 Yüksek Akım çabuk açılan soket
23	1001726	Blueline Hava Besleme hortumu 3,5m (DAC Airvisor 2 olmayanlar için)
23	1001727	Blueline Hava Besleme hortumu 7,5m (DAC Airvisor 2 olmayanlar için)
23	1004716	Blueline Hava Besleme hortumu 10m (DAC Airvisor 2 olmayanlar için)
23	1765070	Green Hava Besleme hortumu 3,5m (DAC Airvisor 2 için)
23	1765071	Green Hava Besleme hortumu 7,5m (DAC Airvisor 2 için)
23	1765072	Green Hava Besleme hortumu 10m (DAC Airvisor 2 için)
24	1001683	DAVK-0001E ve DMAK-0021E ile kullanım için püskürtme tabancası hava hortumu (1,2m)
25	1001733	DMAK modelleri ile kullanım için tek kullanımlık kumaş başlık (5'li paket)
26	1001676	DVAK ve DMAK modelleri ile kullanım için tek kullanımlık kumaş başlık ve boyun koruması (5'li paket)
27	1001754	DAWK-4011E ile kullanmak için alev geciktirici baş ve boyun örtüsü
28	1001738	Tüm modeller için kumaş saklama çantası

MANUFACTURED BY

**HONEYWELL SAFETY PRODUCTS SLOVAKIA s.r.o.
NITRIANSKA CESTA 503/60
958 01 PARTIZANSKE
SLOVAKIA**



CERTIFICATION EUROPEENNE : Directive 89/686/CE

Honeywell

**HONEYWELL RESPIRATORY SAFETY
PRODUCTS**

ZI PARIS NORD II – B.P. 50288

33, rue des Vanesses

95958 ROISSY CDG Cedex

FRANCE

Tel : +33 (0)1 49 90 79 79

Fax : +33 (0)1 49 90 71 49

CE0194
EN14594:2005 – Classe A