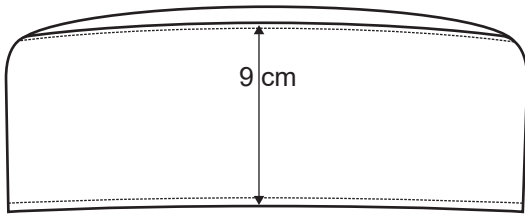
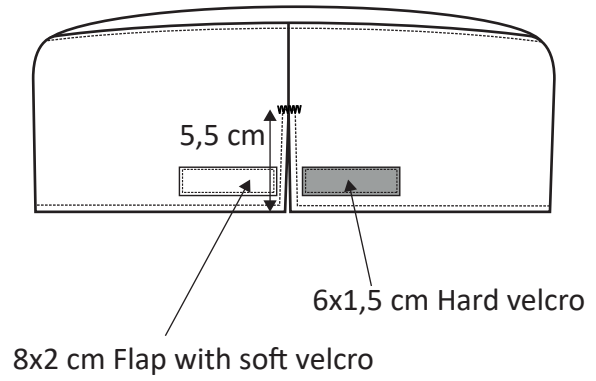


Detail sketch with how to measure

Front:



Back:



Top of hat

