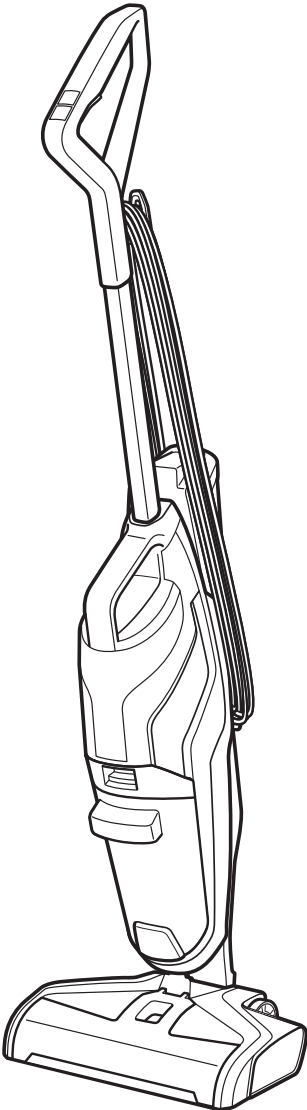


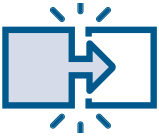


**bissell®**

**CROSSWAVE® C3**

3551, 3555 SERIES





.....4



.....5



.....6



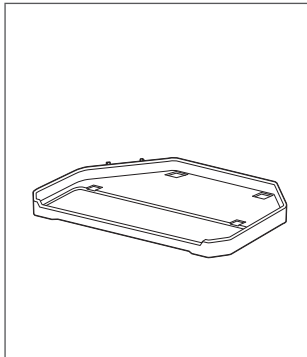
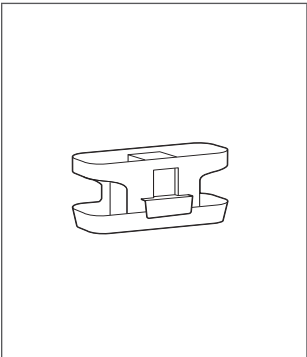
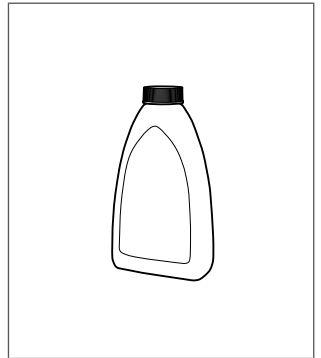
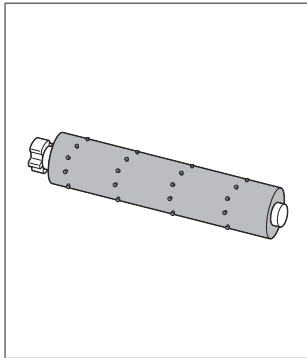
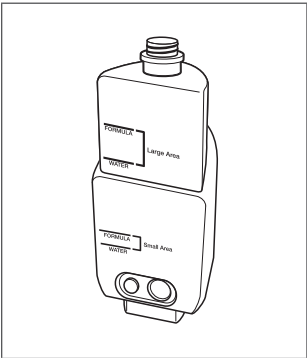
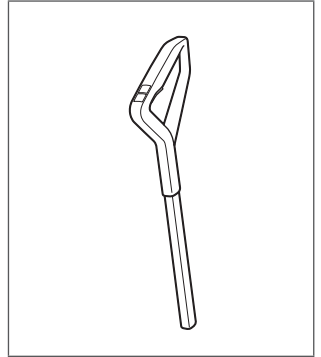
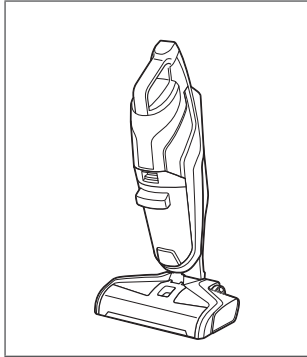
.....7

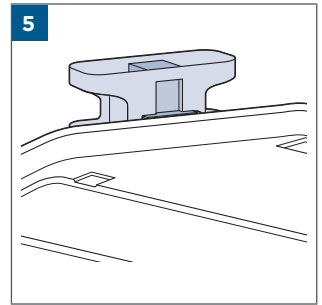
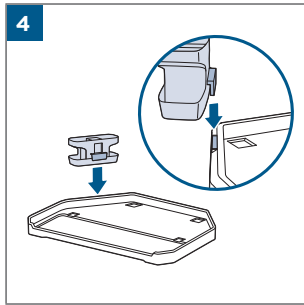
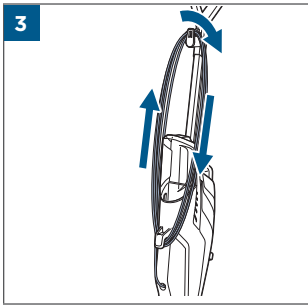
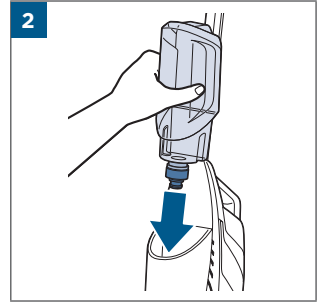
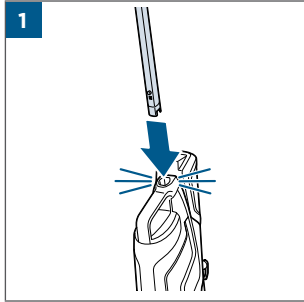
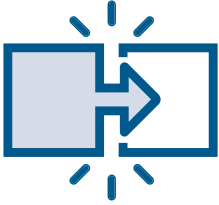


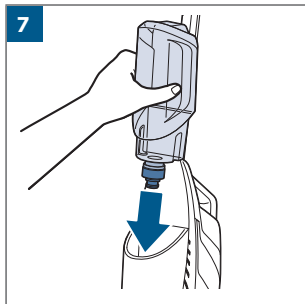
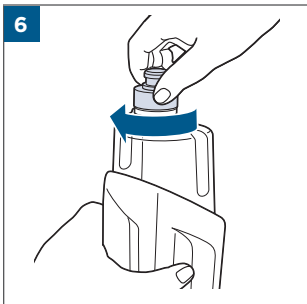
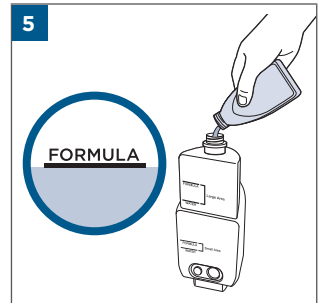
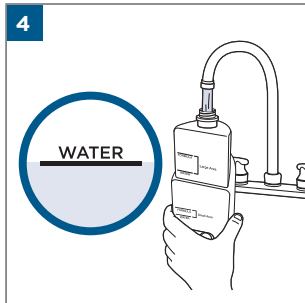
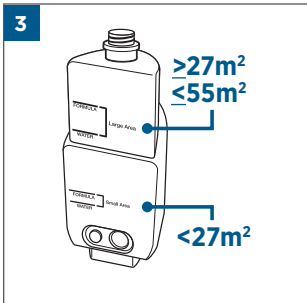
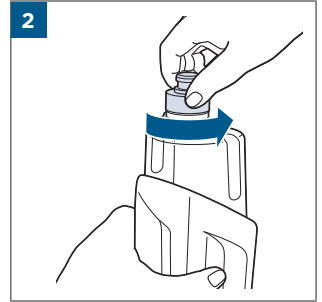
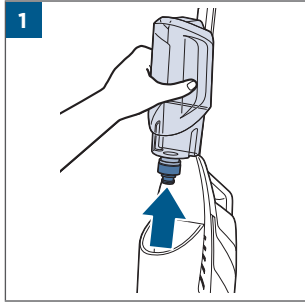
.....8

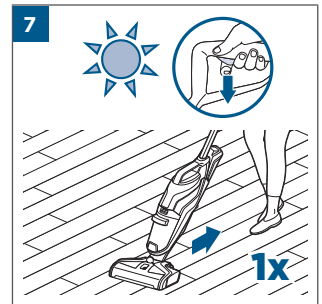
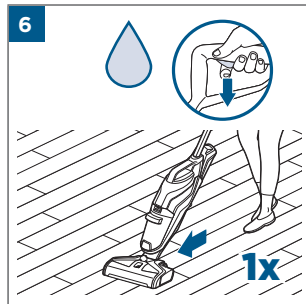
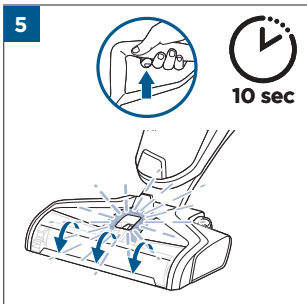
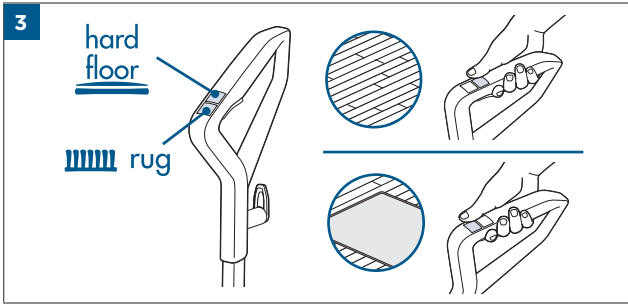
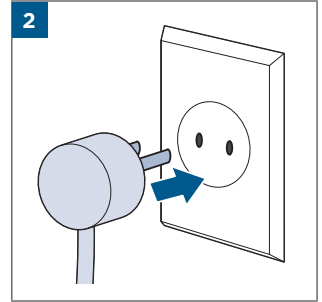
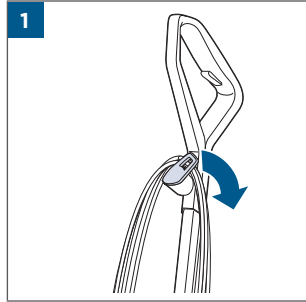


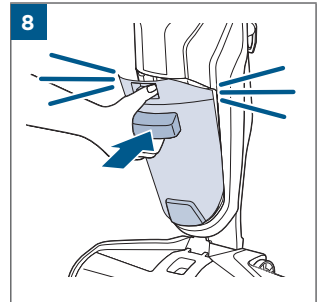
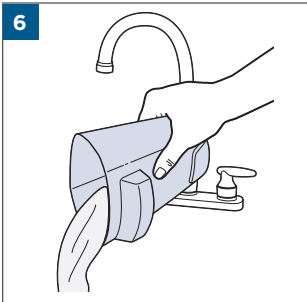
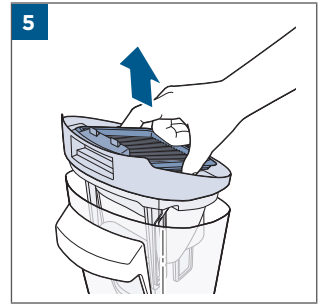
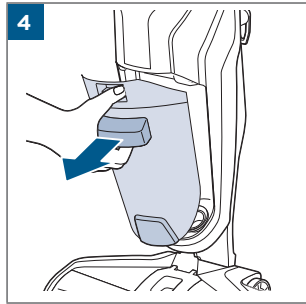
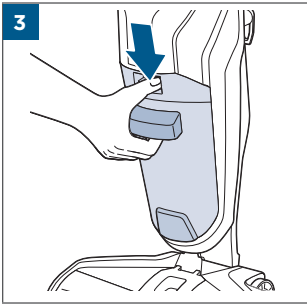
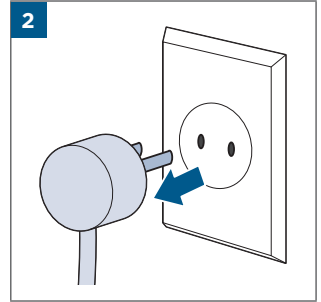
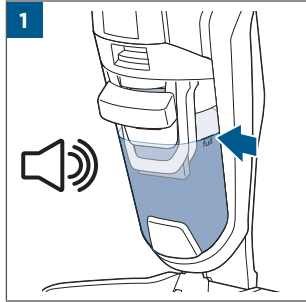
.....9

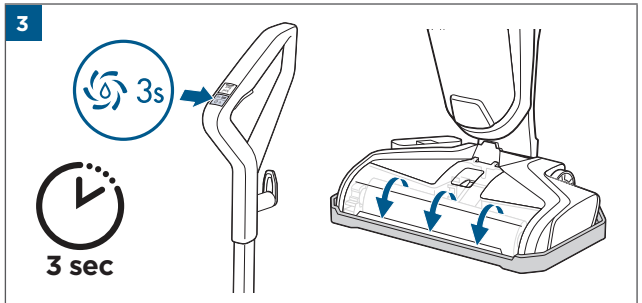
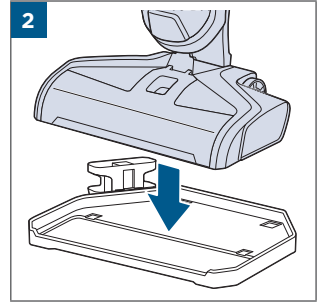
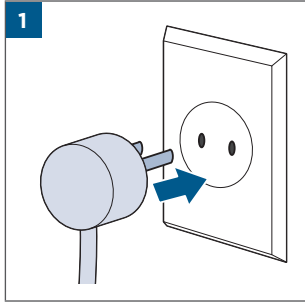




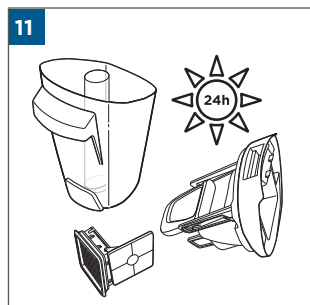
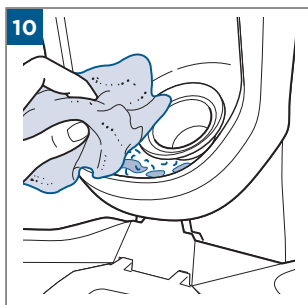
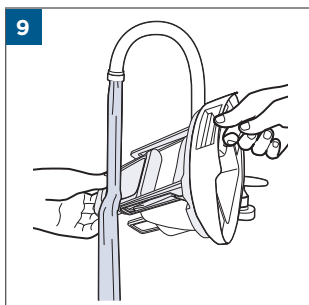
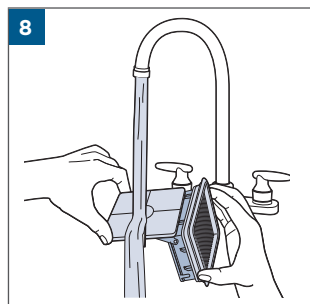
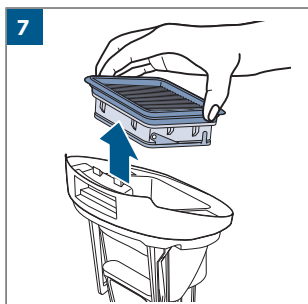
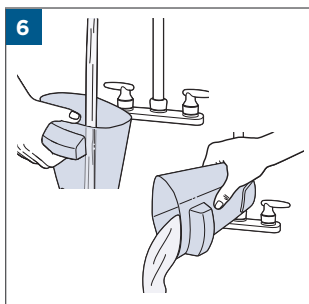
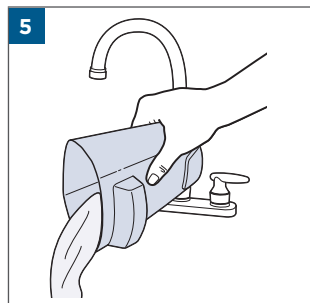
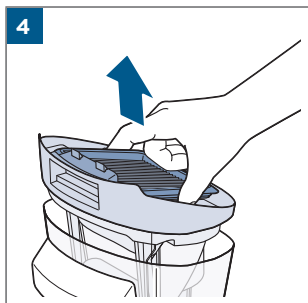
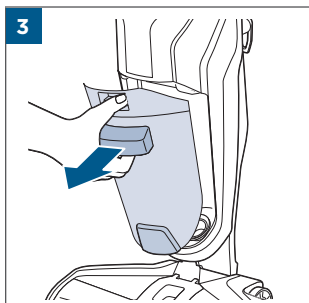
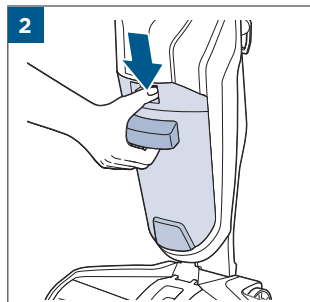
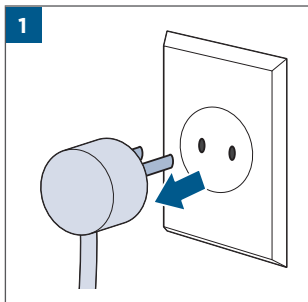


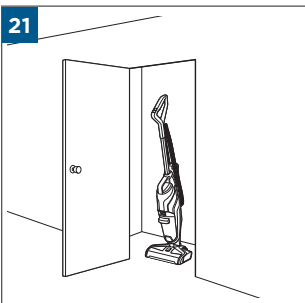
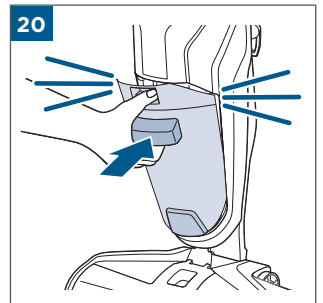
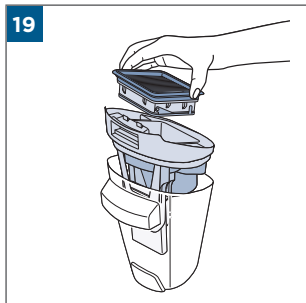
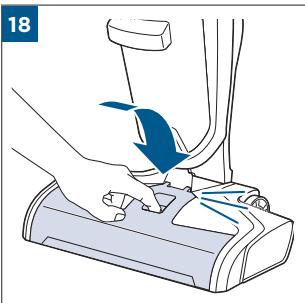
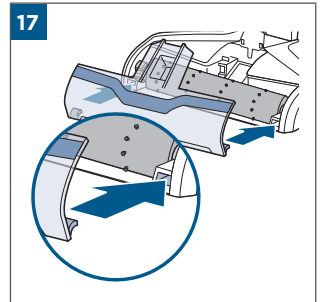
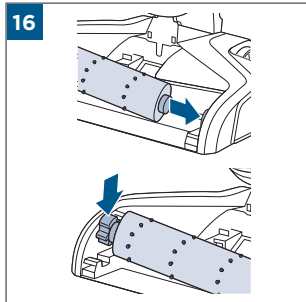
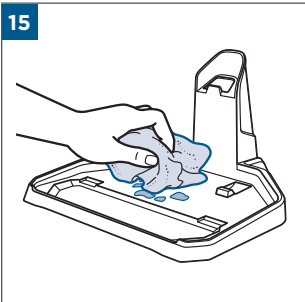
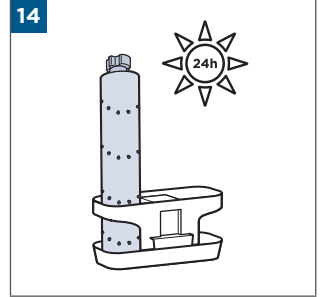
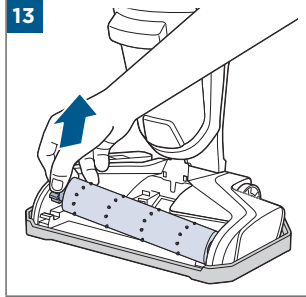
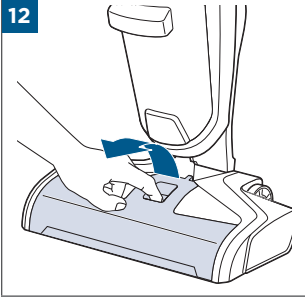
















©2023 BISSELL Inc. All rights reserved.  
Part Number 1635101 11/22 RevF  
[global.BISSELL.com](http://global.BISSELL.com)